

SISO GLASS

fittings



- high quality furniture fittings





- high quality furniture fittings

SISO A/S
MILEPARKEN 11
DK - 2740 SKOVLUNDE
(COPENHAGEN)
DENMARK
PHONE: (+45) 45 830 900
FAX: (+45) 45 830 444

DISTRIBUTOR

CONTENTS

GLASS CONNECTORS 3 - 6



GLASS DOOR LOCKS & ACCESSORIES 7 - 22



SHELF SUPPORTS FOR GLASS 23 - 27



ADJUSTABLE SHELF SUPPORTS (PELICANS) 28 - 29



GLASS CLAMPS 30 - 33



MAGNETIC TOUCH LATCHES 34



STRIKING PLATES 35



GLASS DOOR HINGES FOR DRILLING 36 - 38



BUTT HINGES FOR UV-GLUE 39



GLASS PIVOT HINGES - NO DRILLING 40 - 41



GLASS DOOR HINGES - NO DRILLING 42 - 44



GLASS DOOR PULLS FOR SLIDING DOORS 45



GLASS DOOR HANDLES - NO DRILLING 46



ACCESSORIES F/MIRRORS	47 - 48	
SIGNBOARD SCREWS & HOLDERS	49 - 50	
SUCTION PADS & BUMPERS	51	
TABLE LEG F/GLASS TABLE TOPS	51	
SHELVING LEG SYSTEM „THE POST“	52	
SAUNA HINGES F/GLASS DOORS	53 - 54	
SAUNA HINGES F/WOODEN DOORS	55	
ACCESSORIES F/SAUNA DOORS	56 - 57	
SHOWER DOOR HINGES, CLAMPS, SUPPORT BARS & ACCESSORIES, DOOR KNOBS & HANDLES	58 - 76	
PVC SEALS FOR SHOWER DOORS	77	
SLIDING DOOR SYSTEM F/GLASS DOORS	78	
GLASS CALCULATION	79	
SISO SAN - TOILET ACCESSORIES	80 - 81	
TOILET CUBICLE FITTINGS	82	

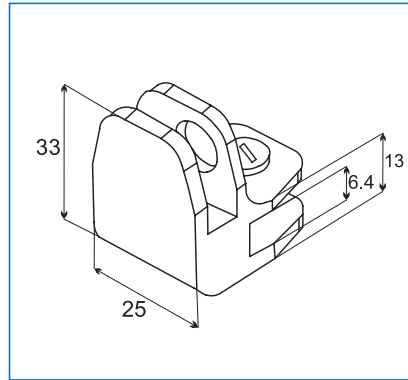
GLASS CONNECTORS - TYPE „MAXI“

ZAMAK - GLASS THICKNESS 4-6 MM

GLASS CONNECTOR 2-WAY 90°

33 x 33 x 25 mm height

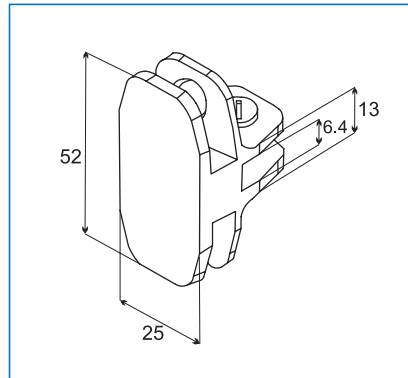
Chrome plated # 22.10.100
 Brass plated # 22.10.101
 Black anodized # 22.10.102
 Alu finish # 22.10.103



GLASS CONNECTOR 3-WAY T-JOINT

52 x 33 x 25 mm height

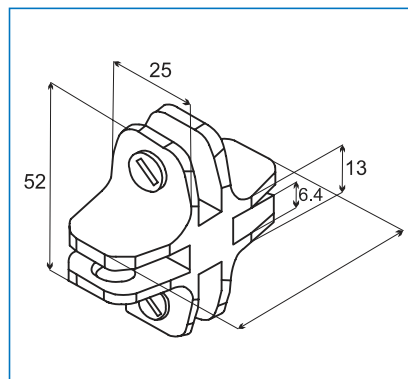
Chrome plated # 22.10.110
 Brass plated # 22.10.111
 Black anodized # 22.10.112
 Alu finish # 22.10.113



GLASS CONNECTOR 4-WAY 90°

52 x 52 x 25 mm height

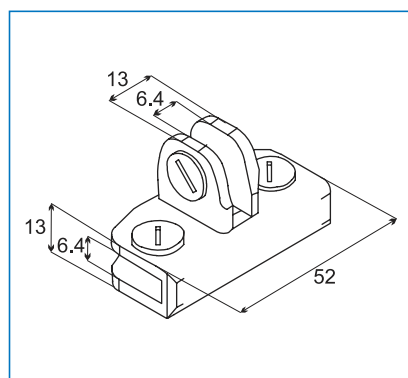
Chrome plated # 22.10.120
 Brass plated # 22.10.121
 Black anodized # 22.10.122
 Alu finish # 22.10.123



GLASS CONNECTOR 3-WAY T-JOINT

Closed end - bottom/top connector

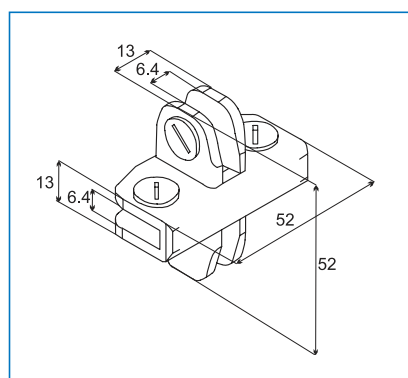
Chrome plated # 22.10.130
 Brass plated # 22.10.131
 Black anodized # 22.10.132
 Alu finish # 22.10.133



GLASS CONNECTOR 4-WAY 90°

Closed end - bottom/top connector

Chrome plated # 22.10.140
 Brass plated # 22.10.141
 Black anodized # 22.10.142
 Alu finish # 22.10.143



GLASS CONNECTOR HINGE

60 mm open width x 40 mm height.

Chrome plated # 22.10.010
 Brass plated # 22.10.011
 Black anodized # 22.10.012



GLASS CONNECTOR HINGE

60 mm open width x 22 mm height.

Chrome plated # 22.10.020
 Brass plated # 22.10.021
 Black anodized # 22.10.022



GLASS CONNECTOR 2-WAY - 90°

33 x 33 mm x 22 mm height

Chrome plated # 22.10.060
 Brass plated # 22.10.061
 Black anodized # 22.10.062



GLASS CONNECTOR 3-WAY - T-JOINT

52 x 34 mm x 22 mm height

Chrome plated # 22.10.040
 Brass plated # 22.10.041
 Black anodized # 22.10.042



GLASS CONNECTOR 4-WAY - 90°

52 x 52 mm x 22 mm height

Chrome plated # 22.10.050
 Brass plated # 22.10.051
 Black anodized # 22.10.052



GLASS CONNECTOR 4-WAY - 90°

52 x 52 mm x 22 mm height
 bottom mounted connector

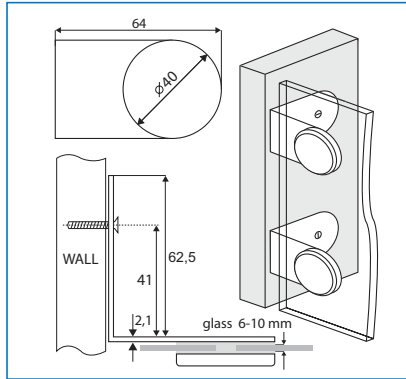
Chrome plated # 22.10.055
 Brass plated # 22.10.056
 Black anodized # 22.10.057



WALL/GLASS & GLASS/GLASS CONNECTORS

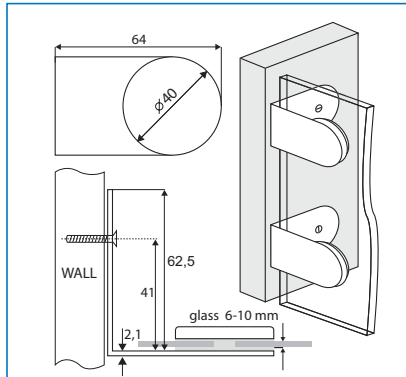
WALL-TO-GLASS CONNECTOR 90° OUTER SIDE

Application: Connecting glass plates
Drilling required
Material: Brass, 2,1 mm thickness
Size: 62,5 x 62,5 x 40 mm
Bore hole: $\varnothing 10$ mm
Glass thickness: 6-8 mm
Alu finish # 22.10.065
Chrome plated # 22.10.066
Packing: 10 pcs per carton



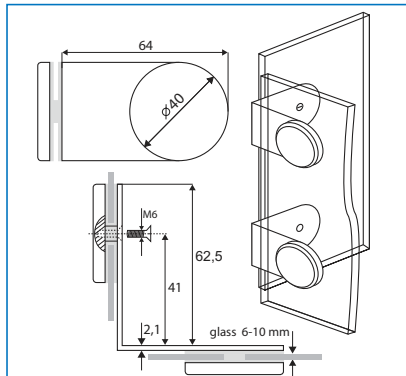
WALL-TO-GLASS CONNECTOR 90° INNER SIDE

Application: Connecting glass plates
Drilling required
Material: Brass, 2,1 mm thickness
Size: 62,5 x 62,5 x 40 mm
Bore hole: $\varnothing 10$ mm
Glass thickness: 6-8 mm
Alu finish # 22.10.070
Chrome plated # 22.10.071
Packing: 10 pcs per carton



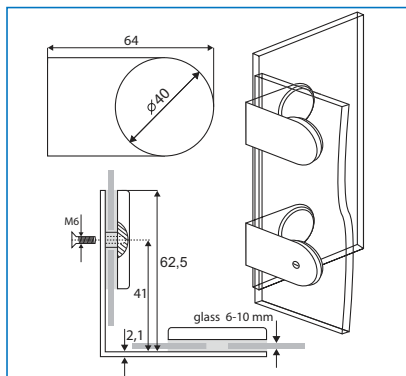
GLASS-TO-GLASS CONNECTOR 90° OUTER SIDE

Application: Connecting glass plates
Drilling required
Material: Brass, 2,1 mm thickness
Size: 62,5 x 62,5 x 40 mm
Bore hole: $\varnothing 10$ mm
Glass thickness: 6-8 mm
Alu finish # 22.10.075
Chrome plated # 22.10.076
Packing: 10 pcs per carton



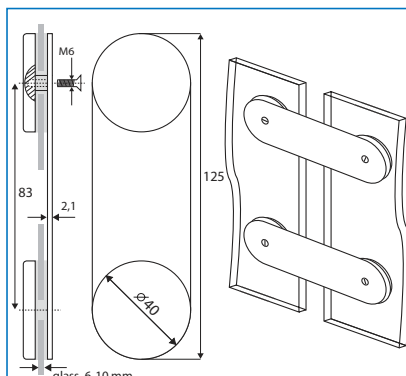
GLASS-TO-GLASS CONNECTOR 90° INNER SIDE

Application: Connecting glass plates
Drilling required
Material: Brass, 2,1 mm thickness
Size: 62,5 x 62,5 x 40 mm
Bore hole: $\varnothing 10$ mm
Glass thickness: 6-8 mm
Alu finish # 22.10.080
Chrome plated # 22.10.081
Packing: 10 pcs per carton



GLASS-TO-GLASS CONNECTOR 180°

Application: Connecting glass plates
Drilling required
Material: Brass, 2,1 mm thickness
Size: 125 x 40 mm
Bore hole: $\varnothing 10$ mm
Glass thickness: 6-8 mm
Alu finish # 22.10.085
Chrome plated # 22.10.086
Packing: 10 pcs per carton



GLASS/GLASS CONNECTOR #CLAW" 2-WAY

Application

Connecting glass plates
Drilling required

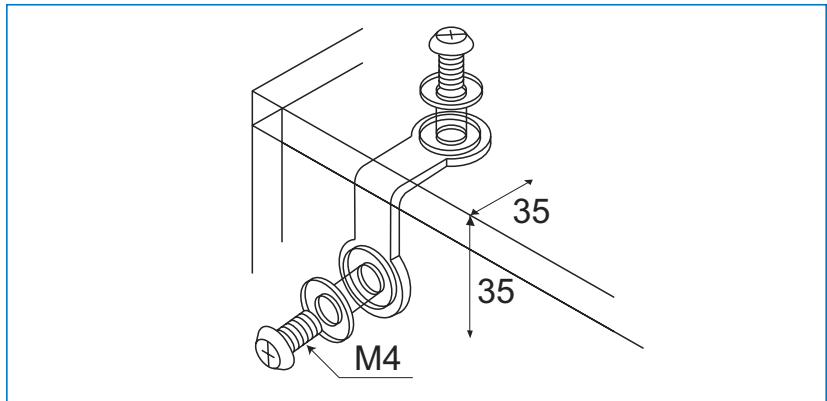
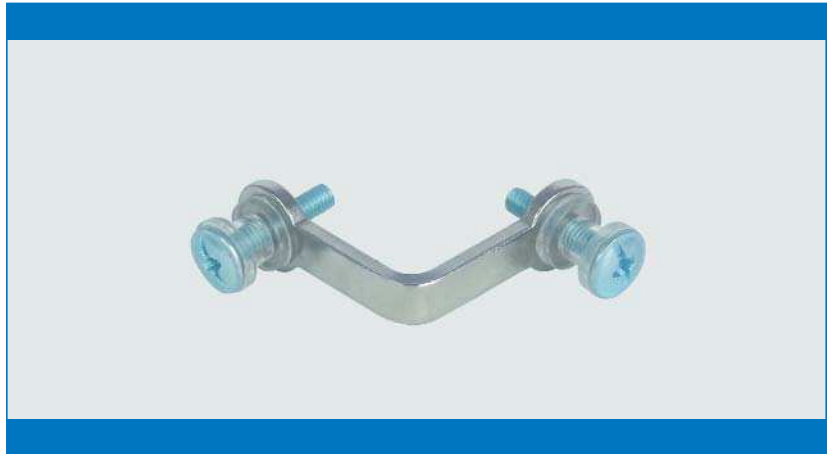
Material

2 mm steel, nickel plated

Size: 35 x 35 mm
Bore hole: \varnothing 6 mm
Bore distance: 25 mm from centre to edge
Glass thickness: 4 - 8 mm

Item No.: # 22.10.090

Inclusive transparent tube & washers



GLASS/GLASS CONNECTOR #CLAW" 3-WAY

Application

Connecting glass plates
Drilling required

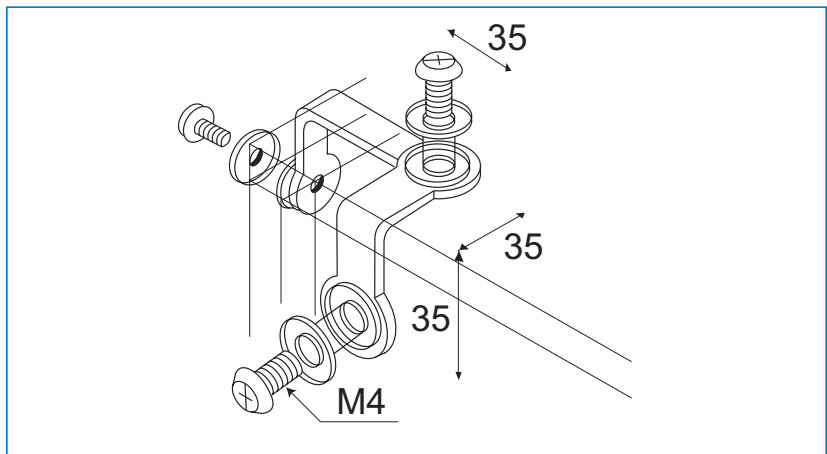
Material

2 mm steel, nickel plated

Size: 35 x 35 x 35 mm
Bore hole: \varnothing 6 mm
Bore distance: 25 mm from centre to edge
Glass thickness: 4 - 8 mm

Item No.: # 22.10.091

Inclusive transparent tube & washers



GLASS DOOR LOCK „MINI“ SLIDING DOORS



MODEL „MINI“

Finish
Chrome plated

Application
Glass sliding door

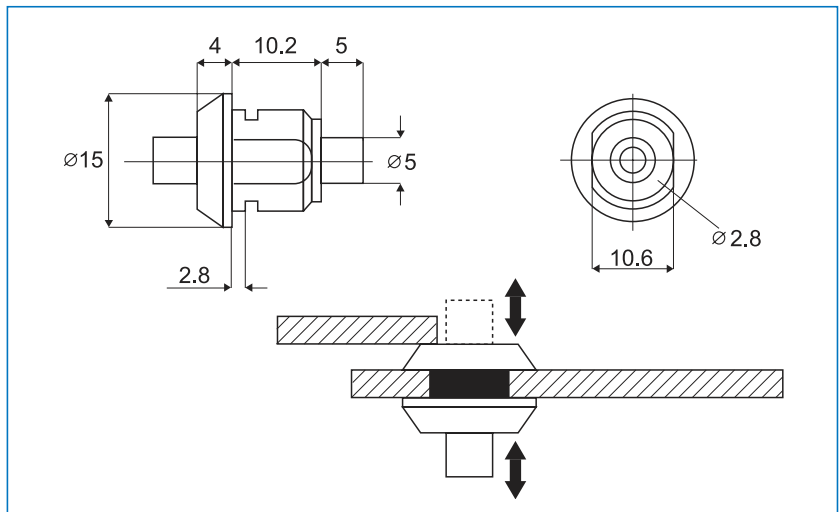
Accessories for 1 set
1 lock
2 car keys
1 nut

Function
to lock - push the cylinder
to unlock - turn key

200 key combinations # 14.03.040
key alike # 14.03.041

Options
15 000 key combinations

Packing
100 pcs per box
5 box per export carton



BRASS GLASS DOOR LOCK „SWAN“ FOR 8-10 MM GLASS

MODEL „SWAN“

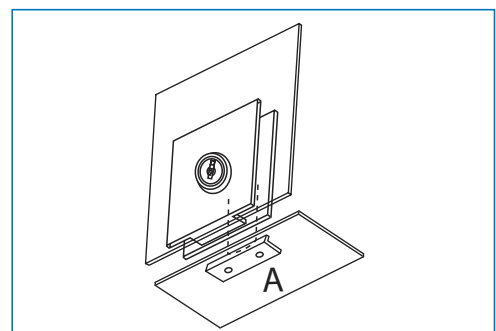
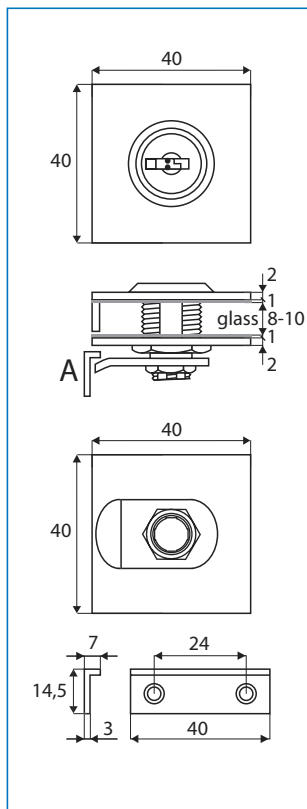
Finish
Gold plated # 14.09.000

Material
Brass

Consists of:
1 cylinder $\varnothing 20 \times 23$ mm
1 front plate w/bottom support
40 x 40 mm
1 back plate 40 x 40 mm
2 SISO metal keys, key alike
2 transparent cushions
1 hexagonal nut
1 off-set brass cam
1 raised brass striker

Function
Turn key 180° to lock or unlock

Packing
100 pcs per export carton



GLASS DOOR LOCK „AUDIO“ - NO DRILLING

MODEL „AUDIO“

Finish
Plastic black # 14.09.256

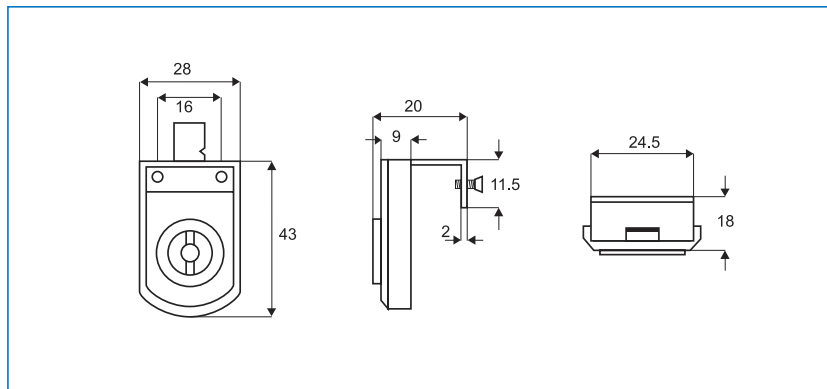
Application
Hinged glass doors
particularly for audio/hi-fi cabinets
No boring required

Accessories for one set
1 lock
1 washer
2 screws
2 keys

Function
Turn key 180°
to lock or unlock

Specification
Plastic/metal combination
one key change only

Packing
500 pcs per export carton



GLASS DOOR LOCK #409 SLIDING DOORS

MODEL # 409

Finish
Brass, chrome plated

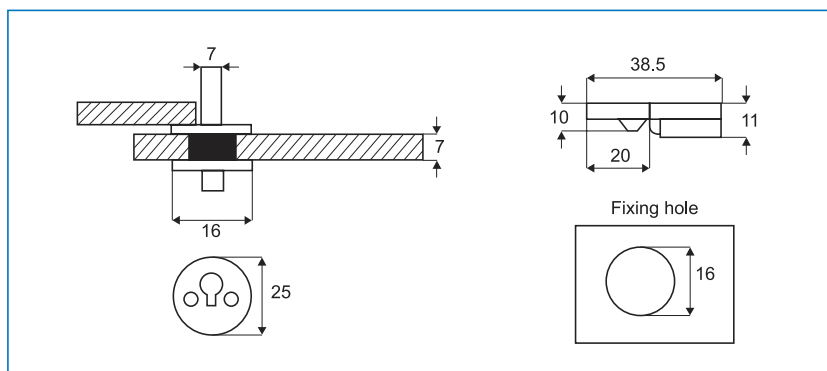
Application
Glass sliding doors

Accessories for one set
1 plug - in cylinder
1 housing (2 parts)
2 rubber washers
2 screws
2 keys

Function
Place cylinder into lock case,
turn and remove key,
key removable in locked
position only

Specification
Brass lock
25 key combinations # 14.09.300
or key alike # 14.09.315

Packing
500 pcs per export carton
25 pcs per box



GLASS DOOR LOCK VITRIO „M“ - HINGED DOORS



MODEL „VITRIO“

Finish

Chrome plated	# 14.09.350
Alu finish	# 14.09.352
Gold plated	# 14.09.353
Black anodized	# 14.09.351
Brass plated	# 14.09.360

Application

- Double hinged glass doors
- Accessories for one set
- A) left door
 - 1 decorative cylinder
 - 1 stainless steel front plate
 - 1 hexagonal nut
 - 1 plastic washer
- B) right door
 - 1 off-set hook cam
 - 1 stainless steel front plate
 - 1 hexagonal nut
 - 1 plastic washer
- 2 car keys

Function

Turn key 90° to lock or unlock

Specification

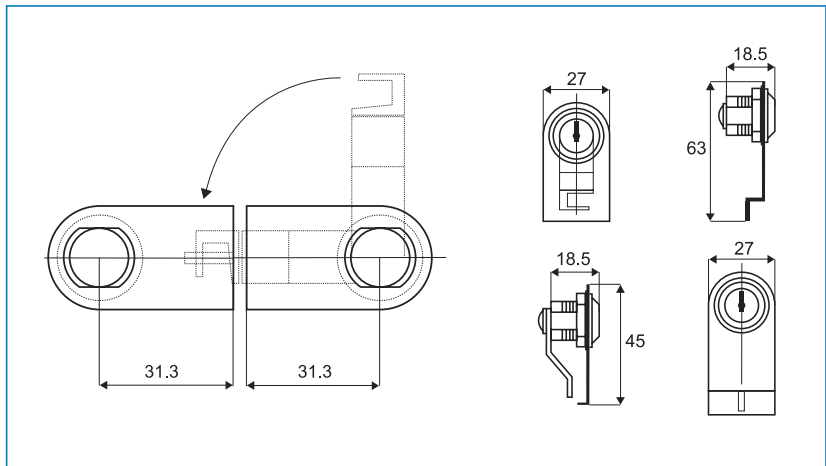
Cylinder zamak
front plates stainless steel
400 key combinations or key alike

Option:

Master key system

Packing

300 pcs per export carton
25 pcs per box



GLASS DOOR LOCK # X-750 - NO DRILLING

MODEL X-750

Finish

Chrome plated - 100 mm	# 14.09.025
Chrome plated - 132 mm	# 14.09.030
Chrome plated - 135 mm	# 14.09.029

Application

Glass sliding doors

Accessories for one set

- 1 removable lock
- 1 ratchet 100 or 132 mm
- 1 screw w/protection pad
- 2 metal keys

Function

Mount ratchet into lock with flat end facing the fastening screw (see illustration).
Turn key 180° and remove key to activate the lock

Specification

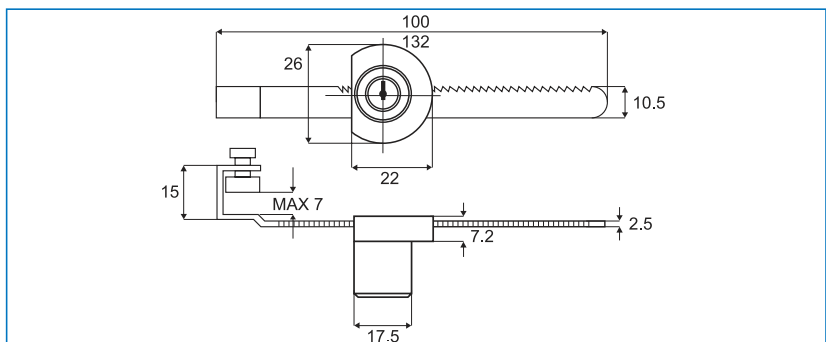
Zamak lock
Ratchet steel
25 key combinations

Option

Master key or key alike

Packing

240 pcs per export carton
12 pcs per box



MODEL # 8600

Finish

Chrome plated # 14.09.420
 Alu finish # 14.09.423
 Chrome w/Master key # 14.09.422

Application

Double sliding glass doors
 on alu rails

Accessories

1 lock cylinder \varnothing 22 mm
 1 grub screw for fastening
 2 metal keys, double entry

Function

Push cylinder to lock
 Turn key to unlock

Specification

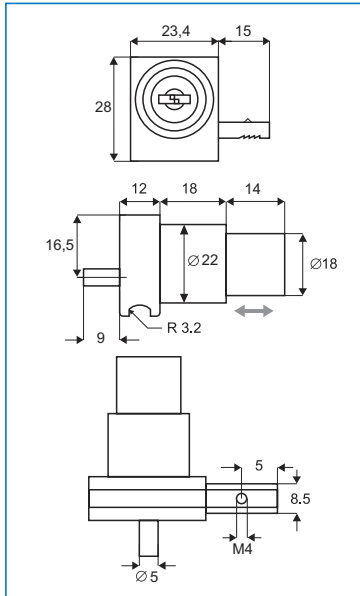
Zamak house: 28 x 24 x 12 mm
 400 key combinations or key alike

Option:

Master key

Packing:

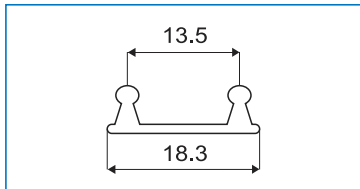
250 pcs per export carton
 25 pcs per box



ACCESSORIES

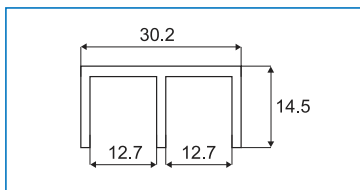
BOTTOM TRACK

Aluminium:
 Anodized # 22.26.030
 Standard length: 2 metres



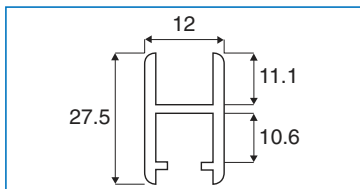
TOP E-TRACK

Aluminium:
 Anodized # 22.26.010
 Standard length: 2 metres



GLASS H-RAIL

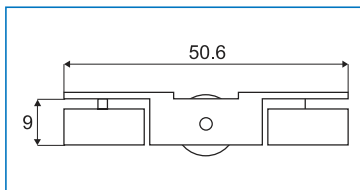
Aluminium:
 Anodized # 22.26.020
 Standard length: 2 metres
 For 5 mm glass thickness



TROLLEY

w/Nylon Wheels

Nickel plated # 22.26.040
 Load capacity: 3 kg



U-SPLINE PLASTIC

22.26.060

Rolls of 100 mts

SILENCER

22.26.070

Plastic, clear
 Bags of 100 pcs

END CAP ZAMAK

Chrome plated # 22.26.050
 Alu finish # 22.26.049



PUSH BUTTON LOCK #2010 „M“ F/DOUBLE SLIDING GLASS DOORS



MODEL #2010

Finish

Alu finish	# 14.09.460
Chrome plated	# 14.09.461
Gold mat plated	# 14.09.463
Gold bright plated	# 14.09.462

Application

Double sliding glass doors
premounted on aluminium frame

Accessories for one set

- 1 cylinder push lock $\varnothing 22$ mm
- 1 universal bottom part premounted for insertion into H-rail on left or right side
- 2 grub screws for fastening onto the h-rail
- 5 allen keys for every 20 lock sets for tightening the grub screws
- 2 car keys, double entry

Function

Push cylinder to lock
and turn key to unlock

Specification

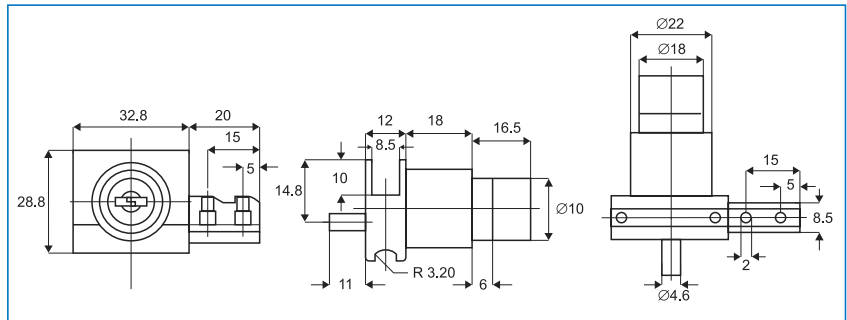
Zamak with 400 key combinations
or key alike

Option

Master key system

Packing

200 pcs per export carton
20 pcs per box



ACCESSORIES

U-SPLINE PLASTIC

22.26.060
Rolls of 100 mts



SILENCER

22.26.070
Plastic, clear
Bags of 100 pcs



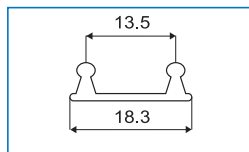
END CAP ZAMAK

Chrome plated # 22.26.051
Alu finish # 22.26.052



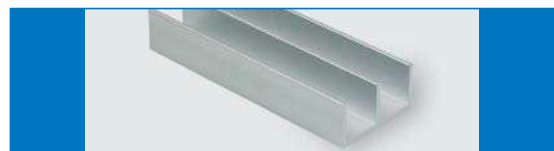
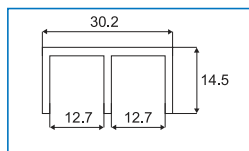
BOTTOM TRACK

Aluminium:
Anodized # 22.26.030
Standard length: 2 metres



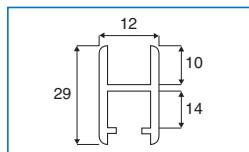
TOP E-TRACK

Aluminium:
Anodized # 22.26.010
Standard length: 2 metres

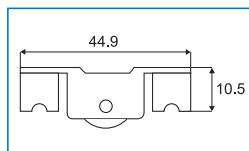


GLASS H-RAIL

Aluminium:
Anodized # 22.26.021
Standard length: 2 metres
For 5 mm glass thickness

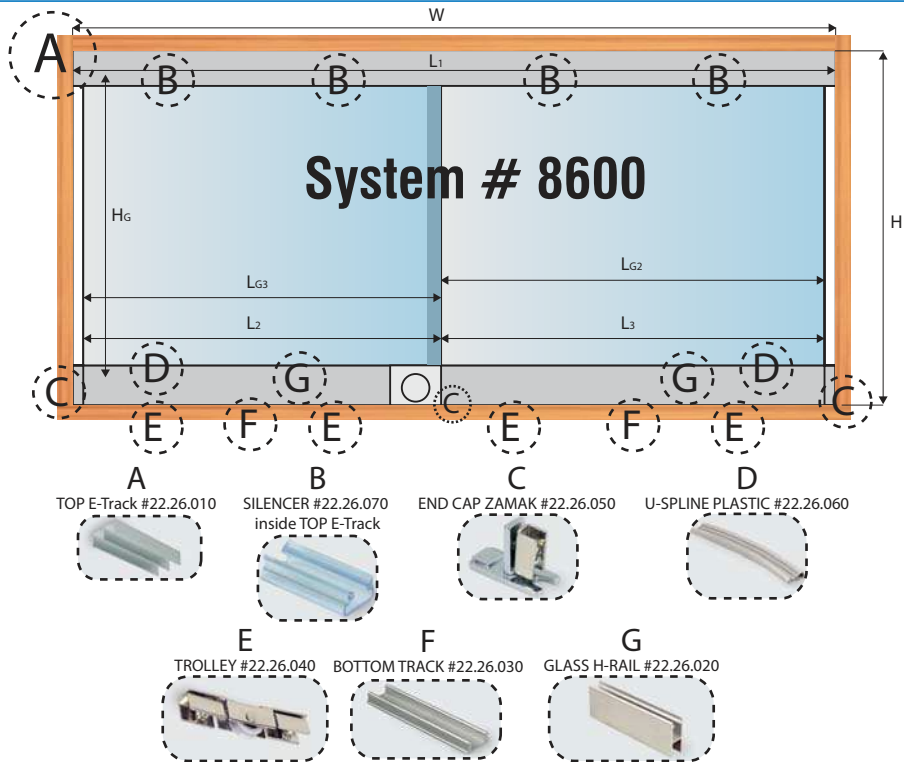


TROLLEY w/Nylon Wheels
Nickel plated # 22.26.041
Load capacity: 3 kg



MOUNTING INSTRUCTION

F/LOCK #8600 & #2010



**How to prepare
glass doors size?**

$$L_1 = W$$

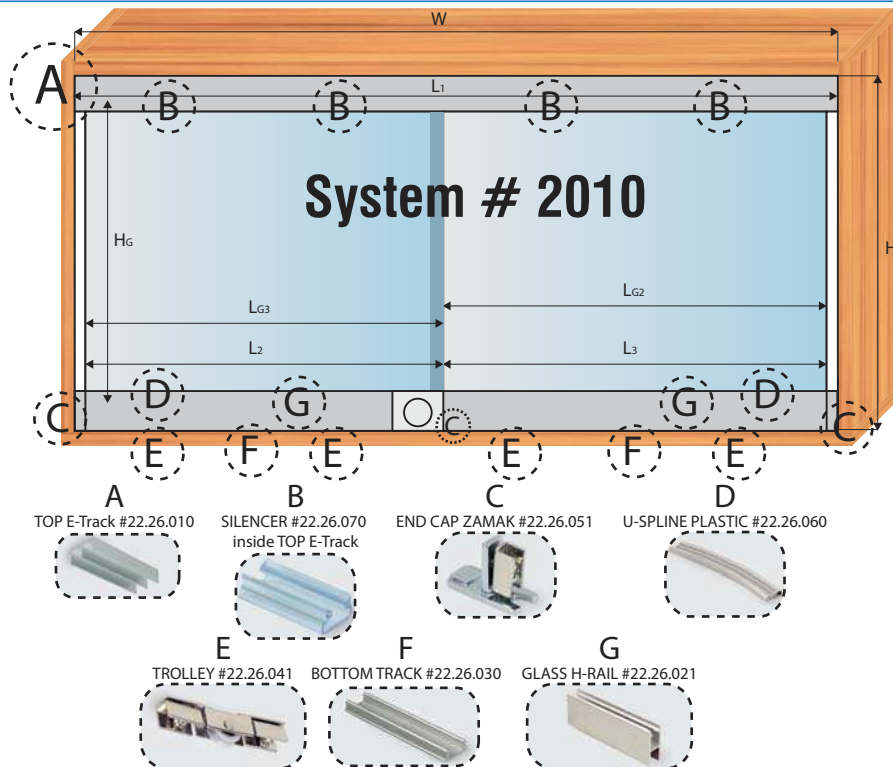
$$L_2 = \frac{1}{2}L_1 + 30 \text{ mm}$$

$$L_3 = \frac{1}{2}L_1$$

$$H_G = H - 25 \text{ mm}$$

$$L_{G2} = L_3 - 2 \text{ mm}$$

$$L_{G3} = L_2 - 1 \text{ mm}$$



**How to prepare
glass doors size?**

$$L_1 = W$$

$$L_2 = \frac{1}{2}L_1$$

$$L_3 = \frac{1}{2}L_1$$

$$H_G = H - 30 \text{ mm}$$

$$L_{G2} = L_3 - 2 \text{ mm}$$

$$L_{G3} = L_2 + 32 \text{ mm}$$

PUSH BUTTON LOCK #2740 „M“ W/STRIKER

Application

Double sliding glass doors
Premounted on aluminium frame

Function

Push & turn cylinder with key to lock
& turn key to unlock.
Can be installed into H-rail
on left or right side

Specification

Zamak with 400 key combinations,
key alike or/and master key system

1 set consists of

- 1 cylinder push lock \varnothing 22 mm
with hook pin
- 1 striker
- 2 round SISO metal keys, double
entry
- 1 hex key 2 mm
- 2 grub screws for fastening
onto the H-rail

Lock #2740 w/striker

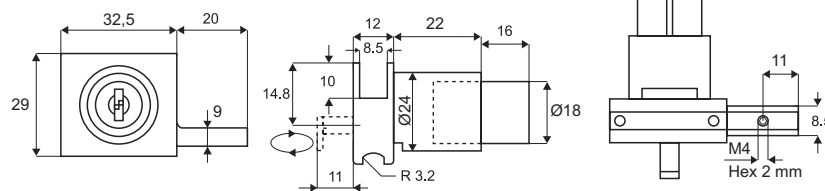
- Alu finish - key to differ # 14.09.440
- Alu finish - key alike # 14.09.441
- Alu finish - w/master key # 14.09.442

Packing

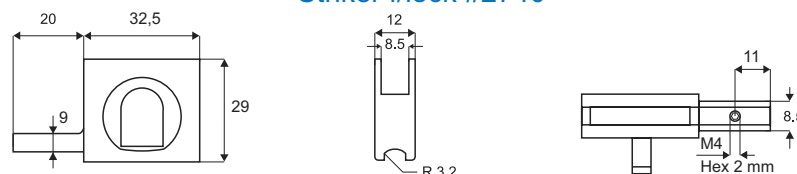
- 150 pcs per export carton
- 15 pcs per box



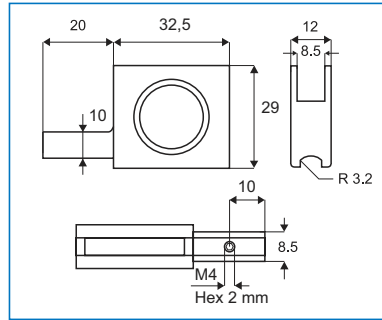
Lock #2740



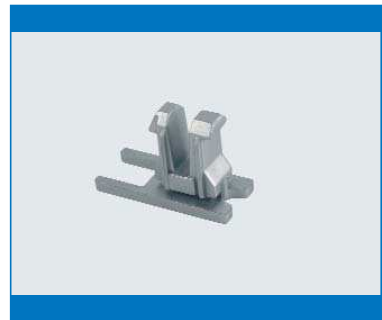
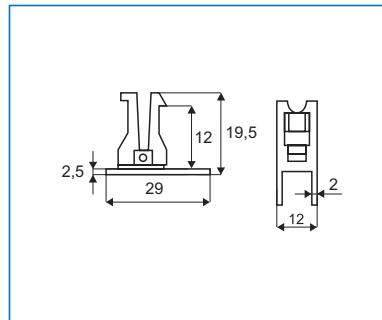
Striker f/lock #2740



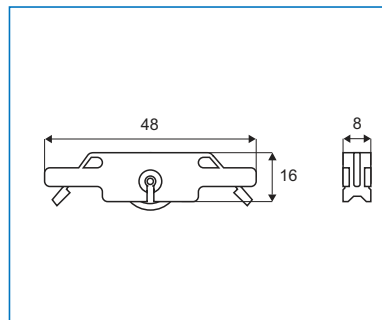
Glass door handle - Plastic
 Alu finish # 14.09.445
 F/fixing on H-rail w/grub screw



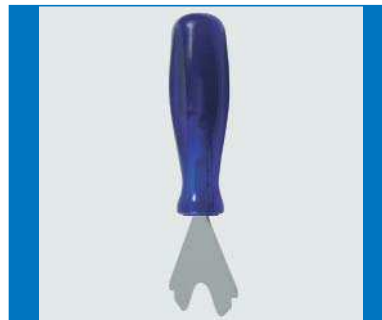
End cap - Plastic
 Alu finish # 22.26.053
 F/pressing into H-rail



Trolley - w/ball bearing
 Zinc plated # 22.26.042
 F/fixing on H-rail be use of tool # 22.26.08
 Load capacity: 12 kg pr. trolley



Tool for fixing trolley
 Blue # 22.26.080

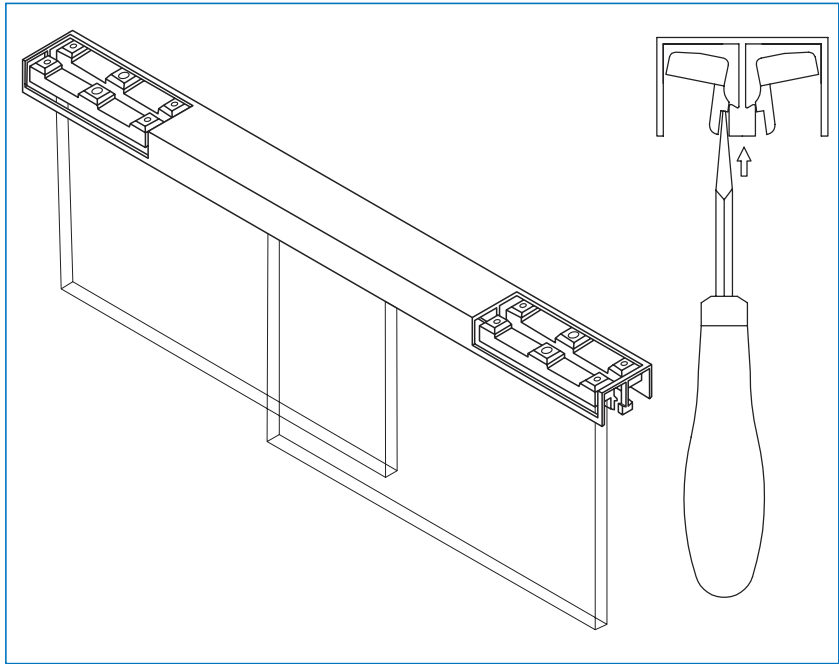
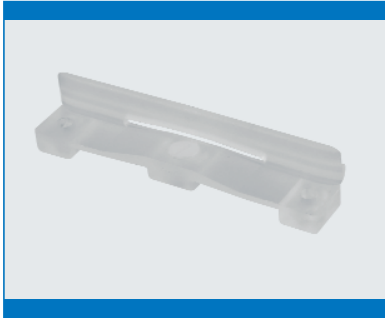


U-spline - PVC
 Grey # 22.02.060-0
 Rolls of 100 metres

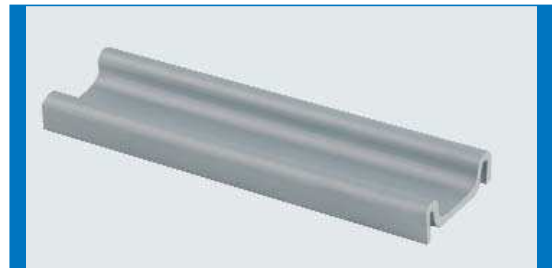
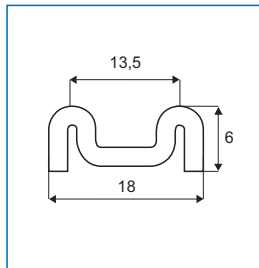


ACCESSORIES F/LOCK #2740 „M“

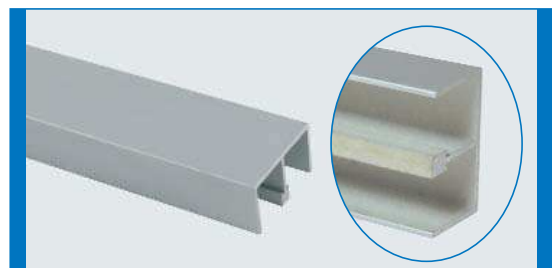
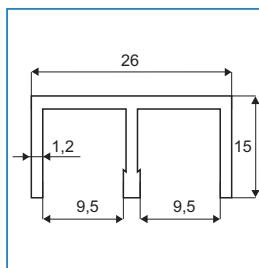
Anti-lift stopper - Plastic
 Transparent # 22.26.075
 F/pressing into top E-track to prevent
 lifting of glass



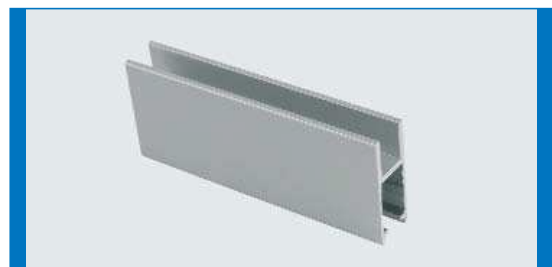
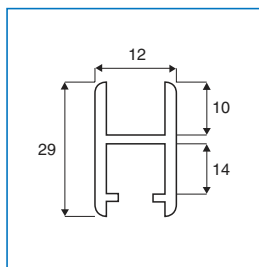
Bottom Track
 Aluminium # 22.26.031
 Anodized
 2 metres length



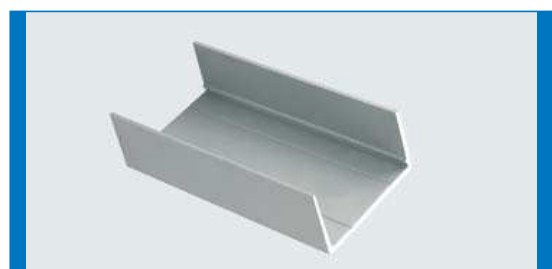
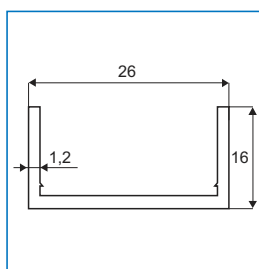
Top E-track with fill
 Aluminium # 22.26.011
 Anodized
 2 metres length



Glass H-rail f/5 mm glass
 Aluminium # 22.26.023
 Anodized
 2 metres length

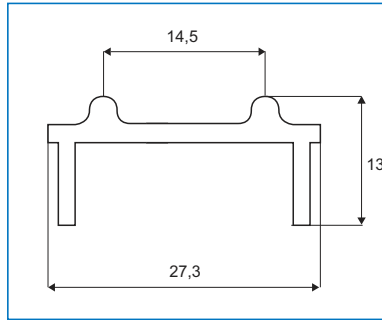


Side & bottom frame track
 Aluminium # 22.26.025
 Anodized
 2 metres length



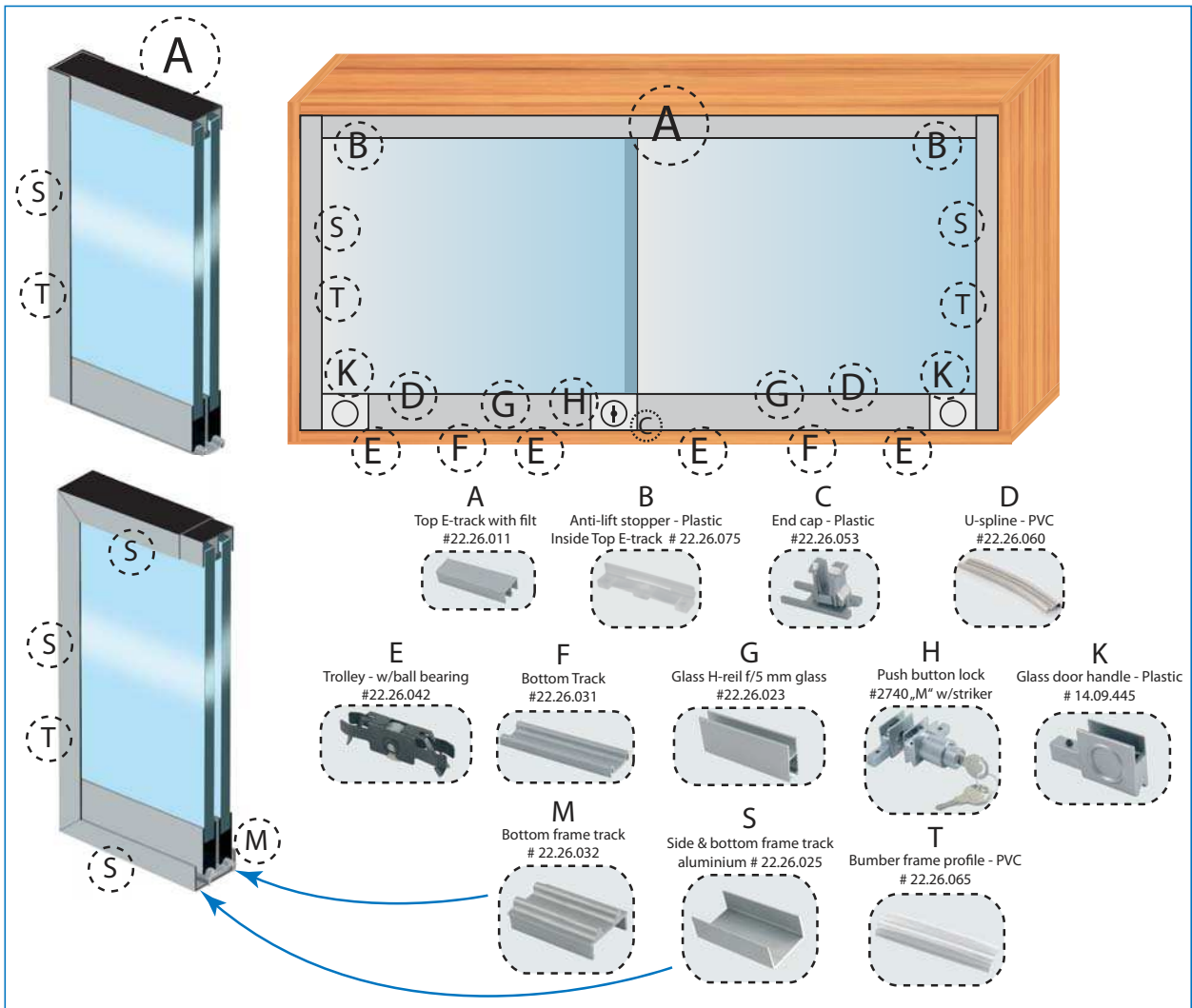
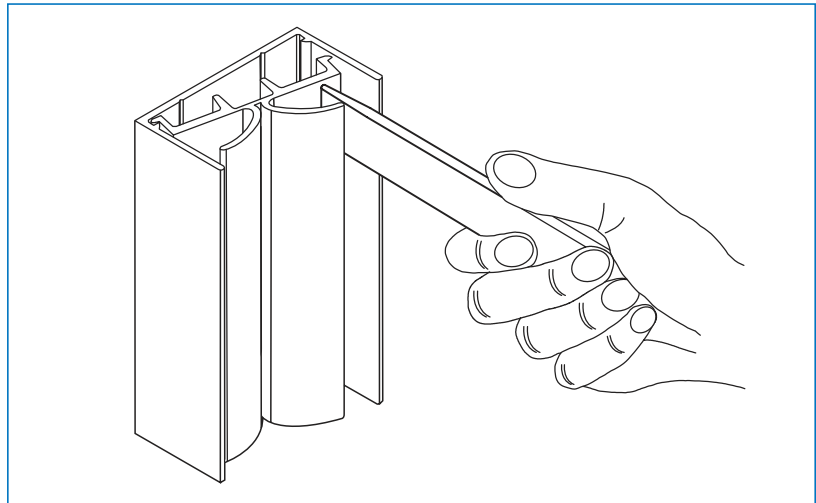
Bottom frame track

Aluminium
Anodized # 22.26.032
2 metres length



Bumber frame profile - pvc

Transparent # 22.26.065
2 metres length



GLASS DOOR LOCK #689 „MIC“ SINGLE DOOR, HINGED

MODEL #689

Finish

Chrome plated	# 14.09.130
Mat nickel plated	# 14.09.131
Gold plated	# 14.09.129
Alu finish	# 14.09.132
Black anodized	# 14.09.136

Application

Glass hinged doors 4-6 mm
Bore: Ø 26 mm

Accessories for one set

- 1 cylinder lock
- 5 plastic washer
- 1 zamak stopper
- 2 car keys, double entry

Function

Turn key 180° to lock
or unlock - w/click sound

Specification

Zamak
400 key combinations or key alike

Option

Master key
and interchangeable system

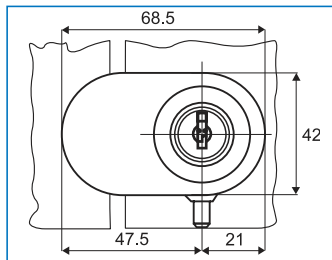
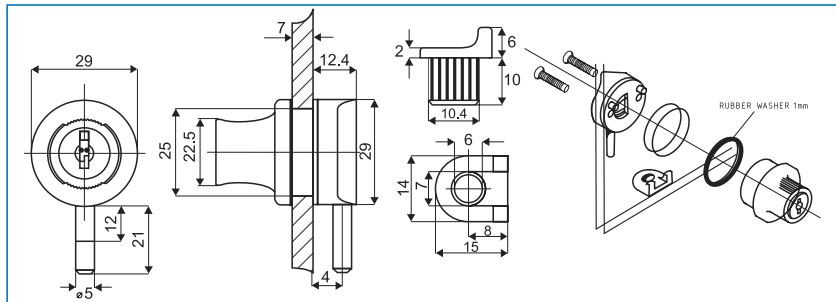
Packing

20/200 pcs per box

Option

Lock can be supplied with special
designed plate for double hinged door

Chrome plated	# 14.09.170
Mat nickel plated	# 14.09.171
Alu finish	# 14.09.172
Gold plated	# 14.09.173

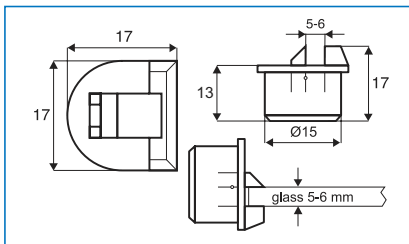


DOOR STOPPER

DOOR STOPPER w/catch

Finish: black plastic # 14.09.119

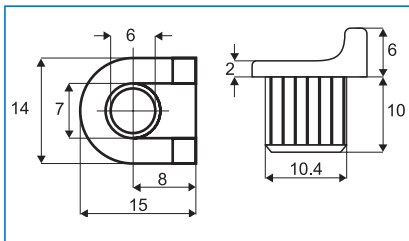
Application: inset glass door hinged
Can be used as a shelf support
Max glass thickness 6,5mm



DOOR STOPPER w/hole

Finish: black plastic # 14.09.118

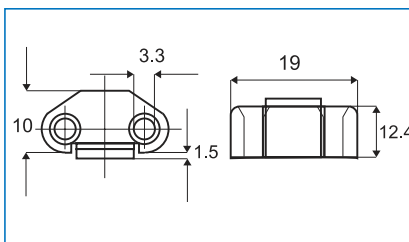
Application: inset glass door hinged
Recommended to use with locks
X-689 and 910 (as a stopper and
striking plate)



DOOR STOPPER w/bumper

Finish: black plastic # 14.09.105

Application: glass door hinged
Recommended to use with lock 0914



GLASS DOOR LOCK X-916 „M“ DOUBLE OR SINGLE DOORS, HINGED

MODEL X-916

Finish

Black anodized	# 14.09.047
Chrome plated	# 14.09.048
Gold plated	# 14.09.049

Application

Hinged glass doors	4-6 mm
Bore	Ø 19 mm

Accessories for one set

- 1 cam lock
- 1 straight steel cam
- 1 plastic washer + 1 hex nut
- 1 flat striking plate:
11 x 57 mm, npl
- 2 car keys, double entry
- 1 front plate zamak

Function

Turn key 180° to lock
or unlock - w/click action

Specification

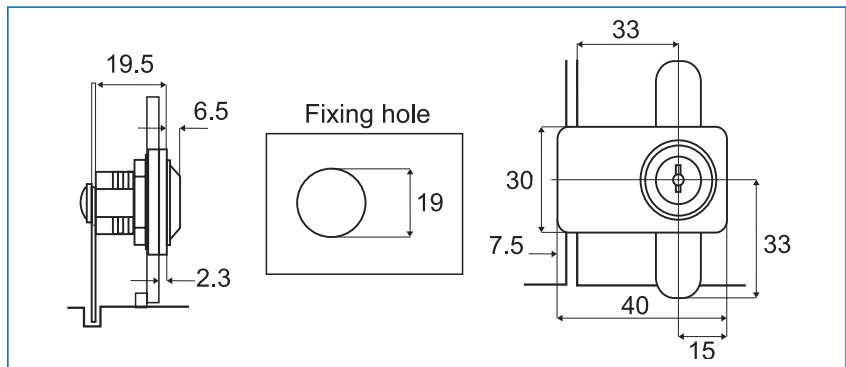
Plate & house: zamak
400 key combinations or key alike

Option

Master key system

Packing

12 pcs per box
240 pcs per export carton



GLASS DOOR LOCK „SAFE“ „M“ SINGLE DOOR, HINGED

MODEL „SAFE“

Finish

Chrome plated	# 14.09.320
---------------	-------------

Application

Single glass door, hinged	
Bore	Ø 19 mm

Accessories for one set

- 1 cam lock
- 1 hexagonal nut
- 1 plastic washer
- 1 straight cam
- 1 front plate
- 1 flat striking plate
- 2 car keys, double entry

Function

Turn key 90°
to lock or unlock - w/click sound

Specification

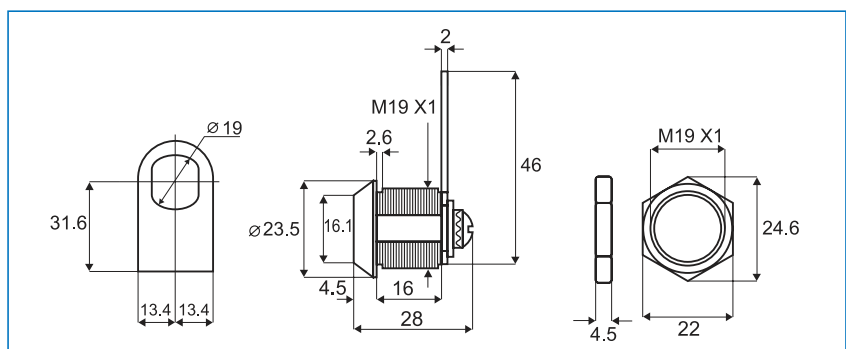
Zamak
400 key combinations or key alike

Option

Master key system

Packing

12 pcs per box
240 pcs per export



GLASS DOOR LOCK „VETRO“ „MIC“ SINGLE DOOR, HINGED

MODEL „VETRO“

Finish

Chrome plated	# 14.09.261
Gold plated	# 14.09.260
Black anodized	# 14.09.262

Application

Single glass door, hinged
No boring required
Max 8 mm glass thickness

Accessories for one set

- 1 lock w/front plate:
- 2 fastening screws
- 1 flat striking plate
- 2 car keys double entry
- 1 plastic distance plate

Function

Turn key 180° to lock
and reverse to unlock

Specification

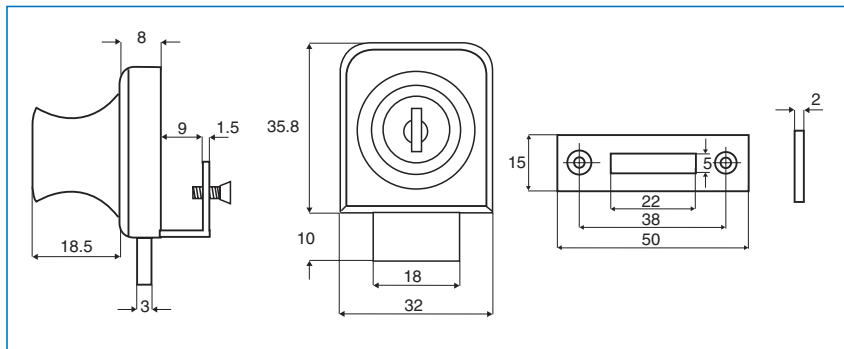
Zamak
400 key combinations
or key alike

Option

Master key
and interchangeable system

Packing

24 pcs per box
240 pcs per export carton



GLASS DOOR LOCK „VETRO-DOUBLE“ „MIC“ DOUBLE DOORS, HINGED

MODEL „VETRO-DOUBLE“

Finish

Chrome plated	# 14.09.270
Gold plated	# 14.09.271
Black anodized	# 14.09.272

Application

Double glass doors, hinged
No boring required
Max 8 mm glass thickness

Accessories for one set

- 1 lock w/front plate
- 2 fastening screws
- 1 flat striking plate
- 2 car keys double entry
- 1 plastic distance plate

Optionals

Door stopper	# 14.09.118
Spring stopper	# 14.09.119

Function

Turn key 180°
to lock and reverse to unlock

Specification

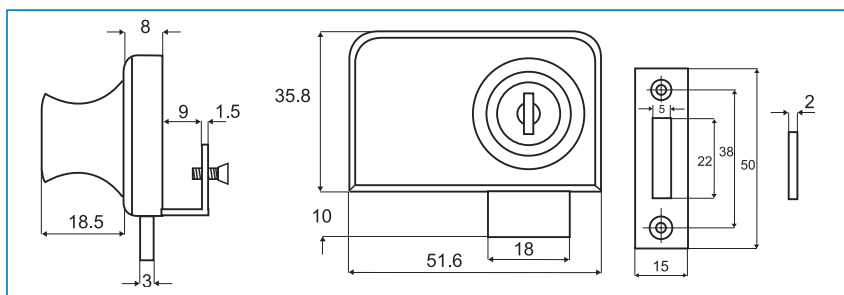
Zamak, 400 key combinations
or key alike

Option

Master key
and interchangeable system

Packing

24 pcs per box
240 pcs per export carton



GLASS DOOR LOCK #64081 „MIC“ SINGLE DOOR, HINGED

MODEL #64081

Finish

Chrome plated	# 14.09.210
Gold plated	# 14.09.211
Black anodized	# 14.09.212

Application

Single glass door, hinged
No boring required

Accessories for one set

- 1 lock w/front plate:
- 2 fastening screws
- 1 flat striking plate
- 2 car keys double entry
- 1 plastic distance plate

Function

Turn key 180° to lock
and reverse to unlock

Specification

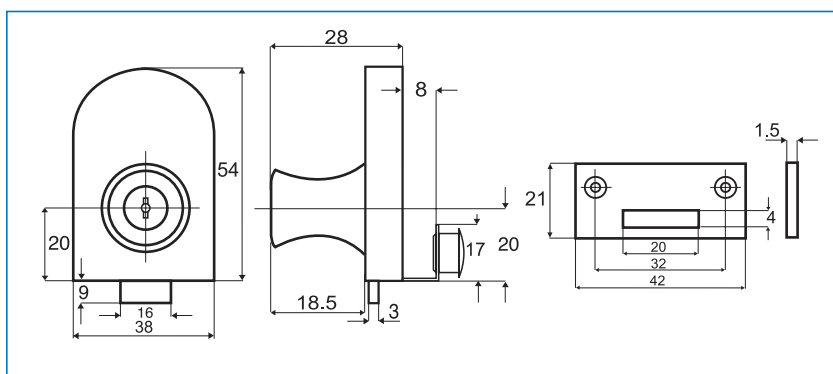
Zamak
400 key combinations
or key alike

Option

Master key
and interchangeable system

Packing

20 pcs per box
200 pcs per export carton



GLASS DOOR LOCK #917 „MIC“ NO BORE - DOUBLE DOORS, HINGED

MODEL #917

Finish

Chrome plated	# 14.09.220
Gold plated	# 14.09.226
Alu finish	# 14.09.223

Application

Double glass doors, hinged
No boring required

Accessories for one set

- 1 lock w/large front plate
- 2 fastening screws
- 1 flat striking plate
- 2 car keys double entry
- 1 plastic distance plate

Optionals

Door stopper	# 14.09.118
Spring stopper	# 14.09.119

Function

Turn key 180° to lock
and reverse to unlock

Specification

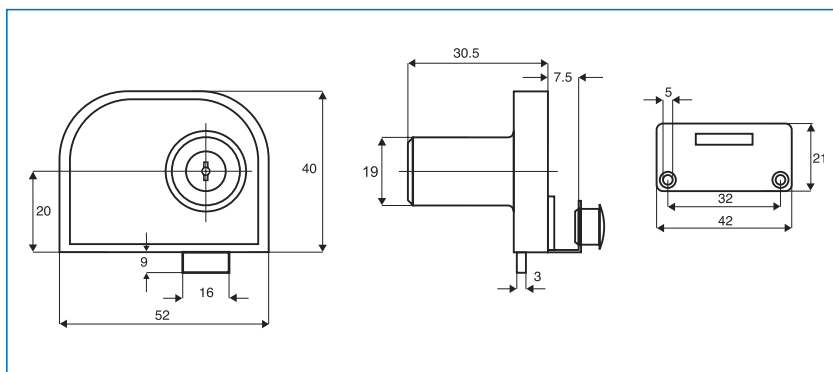
Zamak
400 key combinations or key alike

Option

Master key
and interchangeable system

Packing

12 pcs per box
240 pcs per export box carton



GLASS DOOR LOCK #918 „MIC“ NO BORE - SINGLE DOOR, HINGED

MODEL No. 918

FINISH

- Chrome plated # 14.09.217
- Gold plated # 14.09.218
- Alu finish # 14.09.217-1

Application

Single glass doors, hinged
No boring required

Accessories for one set

- 1 lock w/front plate
- 2 fastening screws
- 1 flat striking plate
- 2 car keys double entry
- 1 plastic distance plate

Optionals

- Door stopper # 14.09.118
- Spring stopper # 14.09.119

Function

Turn key 180°
to lock and reverse to unlock

Specification

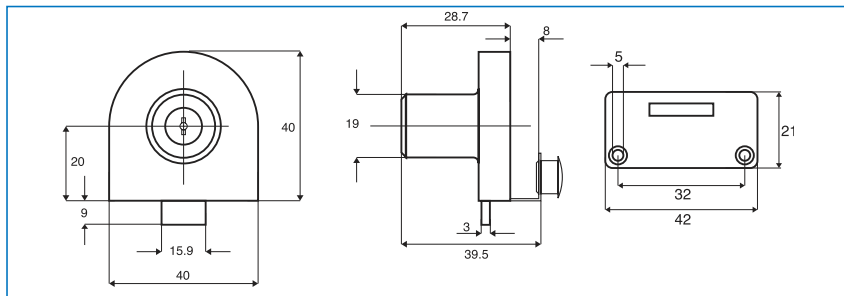
Zamak
400 key combinations or key alike

Option

Master key
and interchangeable system

Packing

12 pcs per box
240 pcs per export carton



STRIKER (FOR LOCK X-918) FOR DOUBLE HINGED DOORS

MODEL „STRIKER“

Finish

- Chrome plated # 14.09.246
- Alu finish # 14.09.247
- Gold plated # 14.09.248

Application

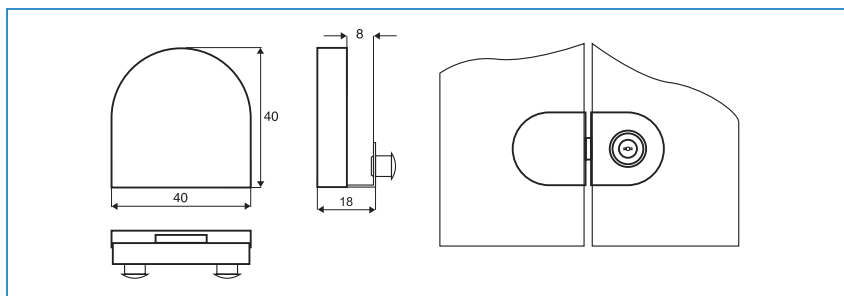
Single glass door, hinged
No boring required

Accessories for one set

- 1 lock w/front plate:
- 2 fastening screws
- 1 flat striking plate
- 1 plastic distance plate

Packing

24 pcs per box
240 pcs per export carton



SHELF SUPPORTS FOR GLASS

GLASS SHELF SUPPORT

- with retainer

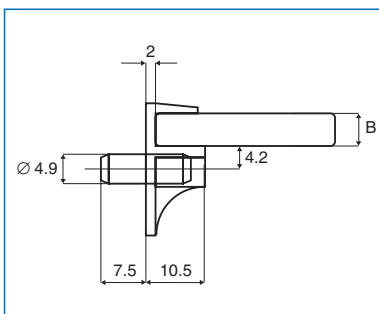
Material: Steel pin \varnothing 5 mm, bright zinc plated and transparent plastic support with retainer

Suitable for GLASS THICKNESS

B = 4,5 +5,5 + 6,0 + 8,0 mm

5,5 mm

22.02.080

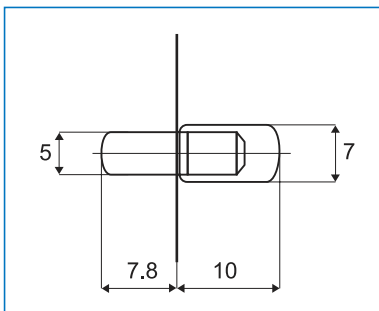


GLASS SHELF SUPPORT „CRISTAL“

Material: Steel pin \varnothing 5 mm, mantled with transparent plastic to 7 mm diam.

Bright zinc plated # 22.02.037

Brass plated # 22.02.038



GLASS SHELF SUPPORT

with slide lock No. 1630

- moulded in sets (left + right)

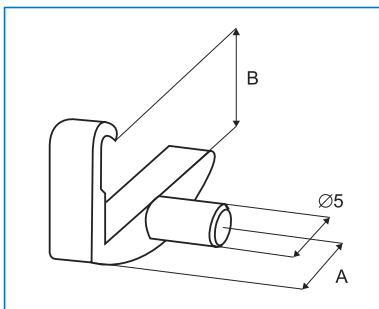
Material: transparent plastic # 22.02.082

Pin: \varnothing 5 mm

Bore hole: 9,5 mm from edge

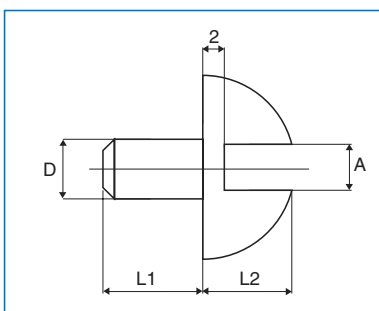
Glass: 5 mm

Packing: 3500 pcs



GLASS SHELF SUPPORT - FORK TYPE

D	L1	L2	A
5	8	7	4,0
5	8	7	4,5
5	8	7	5,5
7	8	7	4,5
7	8	7	5,5
8	8	7	4,5
8	8	7	5,5
8	8	13	5,5
8	8	9	4,5



SHELF SUPPORT - w/ flexible Retainer for GLASS SHELVES (min 5mm)

Material: Plastic

PIN: 5 mm

Colours

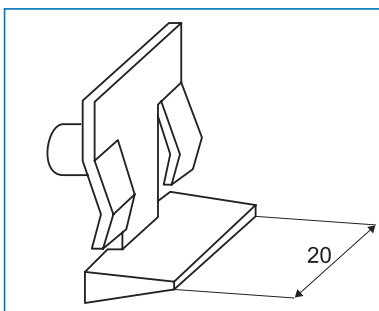
White # 22.02.066

Black # 22.02.067

Brown

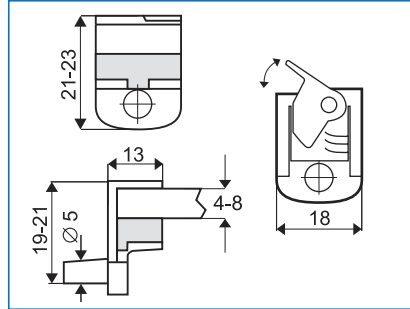
Transparent

For glass minimum 5mm



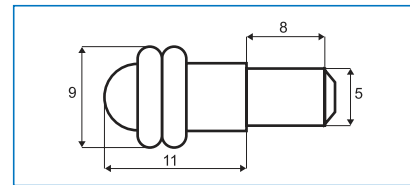
**SHELF SUPPORT „ALFA“ - w/ catch
for glass 4-8 mm**
with eccentric Pin \varnothing 5 mm
Zamak
Nickel plated # 22.02.245

Options
Without pin but with hole \varnothing 5 mm for
screw



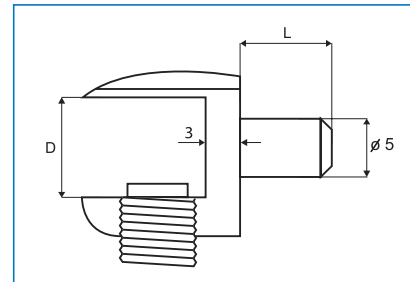
**SHELF SUPPORT
w/2 rubber O-rings**

Material
Steel, NPL # 22.02.200
Packing
5000 pcs



**SHELF SUPPORT
w/soft plastic screw**

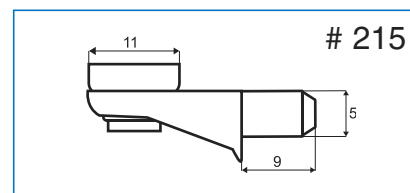
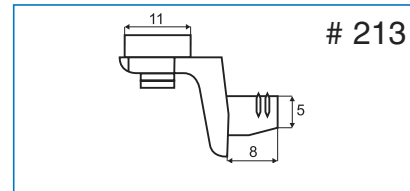
Material
Zamak, nickel plated
Sizes: D \varnothing L
9 mm 5 mm 8 mm # 22.02.231
5 mm 5 mm 8 mm # 22.02.230
Packing
1000 pcs



SHELF SUPPORT W/SUCTION PAD

Material
Zamak, nickel plated
NO.213 # 22.02.240
NO.215 # 22.02.241

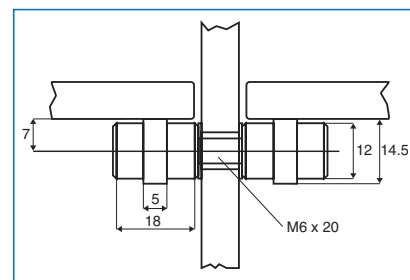
Packing: 2500 pcs



SHELF SUPPORT - Double

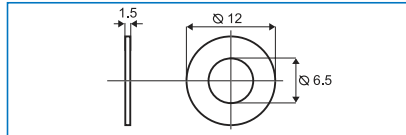
M6 mounting screw for 6-8 mm glass
thickness
Material: Brass, NPL # 22.02.116

Size: 2 pcs each \varnothing 12 x 18 mm
Packing: 100 pcs per box
700 pcs per export carton



SHELF SUPPORTS FOR GLASS

RUBBER WASHER for shelf support
 # 22.02.115 & # 22.02.116
 Transparent # 22.02.114



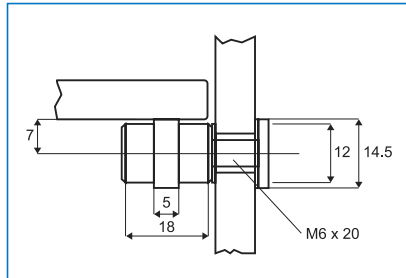
SHELF SUPPORT - Single

M6 mounting screw for 6-8 mm glass thickness

Material: Brass, NPL # 22.02.115

Size: Ø 12 x 18 mm

Packing: 150 pcs per box
 1200 pcs per export carton



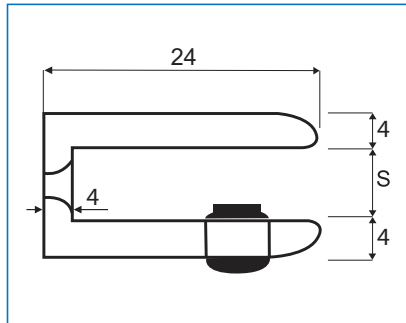
SHELF SUPPORT - Cylindrical
 Mounting with wood screw ø 4,5 mm

Material: Zamak

Sizes

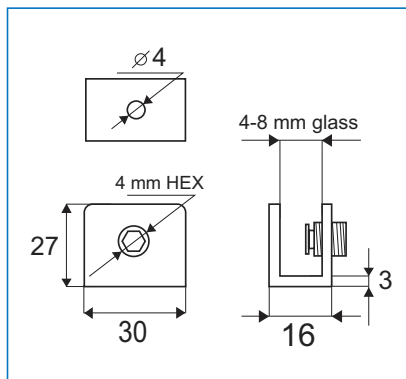
	Ø	S	
CPL	ø17 mm	4 - 6 mm	# 22.02.220
ALU	ø17 mm	4 - 6 mm	# 22.02.221
CPL	ø20 mm	8 - 10 mm	# 22.02.210
ALU	ø20 mm	8 - 10 mm	# 22.02.213

Packing:
 100 pcs



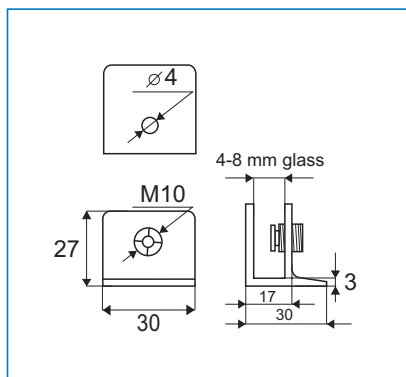
GLASS SHELF SUPPORT „SQUARE“
 w/ø4 mm screw hole, CSK

Material: Zamak
Size: (W/H/D) 30 x 27 x 16 mm
Glass thickness: 4 - 8 mm
 Chrome plated # 22.02.560
 Alu finish # 22.02.561
 SS-look # 22.02.563



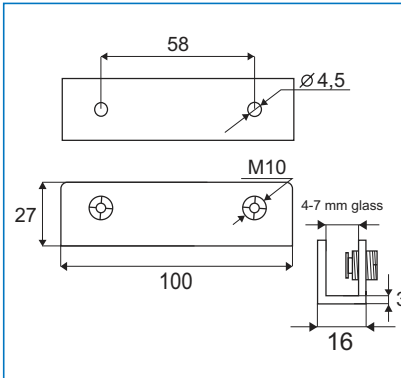
GLASS SHELF SUPPORT „SQUARE“
 "X-STRONG"

Material: Zamak
Size: (W/H/D) 30 x 30 x 27 mm
Glass thickness: 4 - 8 mm
Mounting: Ø 4 mm CSK hole
 Chrome plated # 22.02.610
 Alu finish # 22.02.611



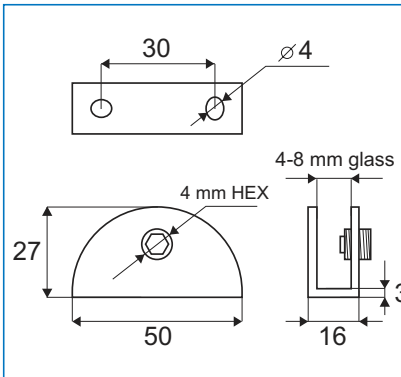
GLASS SHELF SUPPORT „SQUARE XL“

Material: Zamak
Size: (W/H/D) 100 x 16 x 27 mm
Glass thickness: 4 - 8 mm
Mounting: Ø 4 mm CSK hole
 Chrome plated # 22.02.565
 Alu finish # 22.02.566



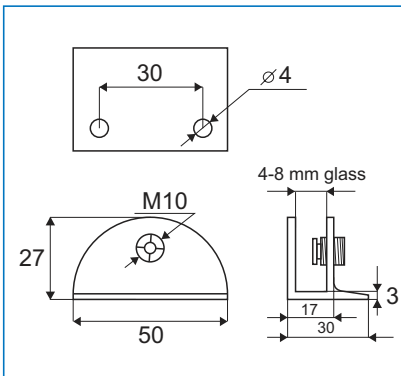
GLASS SHELF SUPPORT „HALF MOON“ w/Ø4 mm screw hole, CSK

Material: Zamak
Size: (W/H/D) 50 x 16 x 27 mm
Glass thickness: 4 - 8 mm
Mounting: Ø 4 mm CSK hole
 Chrome plated # 22.02.570
 Alu finish # 22.02.571
 SS-look # 22.02.573



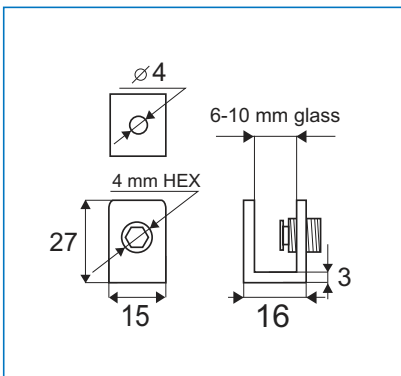
GLASS SHELF SUPPORT „HALF-MOON“ "X-STRONG"

Material: Zamak
Size: (W/H/D) 50 x 30 x 27 mm
Glass thickness: 4 - 8 mm
Mounting: Ø 4 mm CSK hole
 Chrome plated # 22.02.620
 Alu finish # 22.02.621



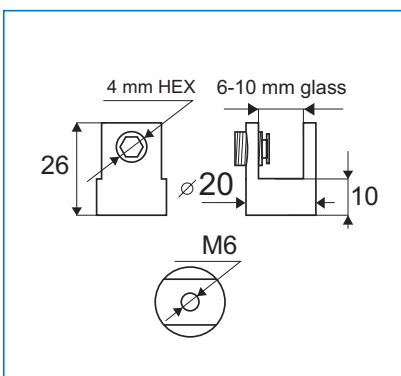
GLASS SHELF SUPPORT „MUS“ w/Ø4 mm screw hole, CSK

Material: Zamak
Size: (W/H/D) 15 x 16 x 27 mm
Glass thickness: 6 - 10 mm
Mounting: Ø 4 mm CSK hole
 Chrome plated # 22.02.600
 Alu finish # 22.02.601
 SS-look # 22.02.603



GLASS SHELF SUPPORT „CYLINDRICAL“ w/M6 mm screw hole

Material: Zamak
Size: Ø 20 x 26 mm
Glass thickness: 6 - 10 mm
Mounting: Ø 20 mm hole
 Chrome plated # 22.02.226
 Alu finish # 22.02.227
 SS-look # 22.02.228

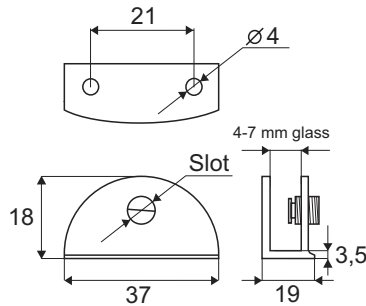


SHELF SUPPORTS FOR GLASS

GLASS SHELF SUPPORT „DOME“ SMALL w/ø4 mm screw hole, CSK

Material: Zamak, Chrome plated
Size: (W/H/D) 37 x 19 x 18 mm
Glass thickness: 4 - 7 mm
Item No. # 22.02.575

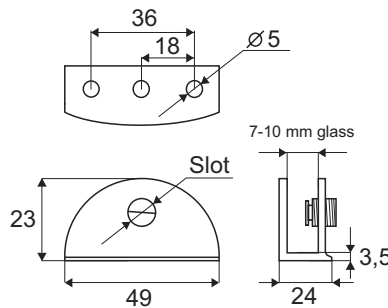
Inclusive screws and wall plugs



GLASS SHELF SUPPORT „DOME“ LARGE w/ø5 mm screw holes, CSK

Material: Zamak
Size: (W/H/D) 49 x 24 x 23 mm
Glass thickness: 7 - 10 mm
 Chrome plated # 22.02.580
 Alu finish # 22.02.581

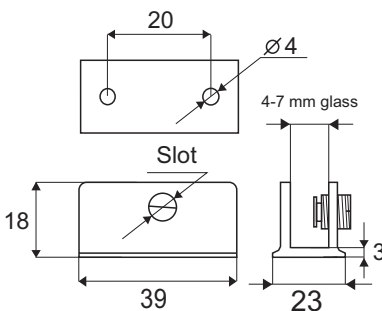
Inclusive screws and wall plugs



GLASS SHELF SUPPORT „RECTA“ SMALL w/ø4 mm screw holes, CSK

Material: Zamak, Chrome plated
Size: (W/H/D) 39 x 23 x 18 mm
Glass thickness: 4 - 7 mm
Item No. # 22.02.590

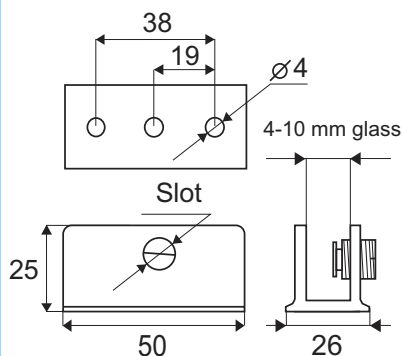
Inclusive screws and wall plugs



GLASS SHELF SUPPORT „RECTA“ LARGE w/ø5 mm screw holes, CSK

Material: Zamak, Chrome plated
Size: (W/H/D) 50 x 26 x 25 mm
Glass thickness: 4 - 10 mm
Item No. # 22.02.595

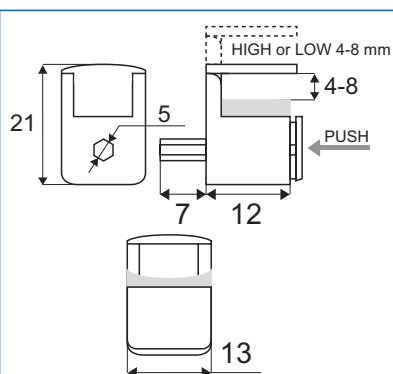
Inclusive screws and wall plugs



GLASS SHELF SUPPORT „PARROT“ w/clip fixing to secure the glass

Material: Zamak, Nickel plated
Pin: Ø 5 mm
Glass thickness: 4 - 8 mm
Item No. # 22.02.456

Packing: 1000 pcs per export carton



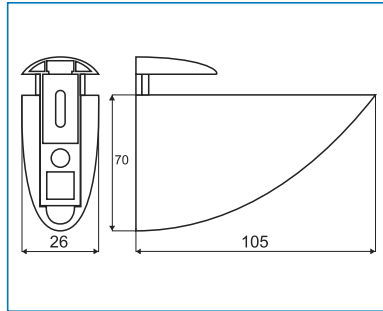
SHELF THICKNESS 4-40 MM

NO.53

Finish

- Alu finish # 22.02.550
- Mat nickel # 22.02.551
- Polished chrome # 22.02.552

Max load 40 kg
80 pcs per box



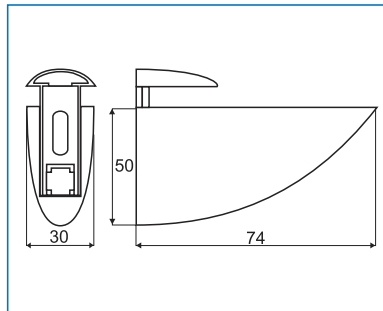
SHELF THICKNESS 4-26 MM

NO.52

Finish

- Alu finish # 22.02.545
- Mat nickel # 22.02.546
- Polished chrome # 22.02.547
- SS-look # 22.02.548

Max load 30 kg
100 pcs per box



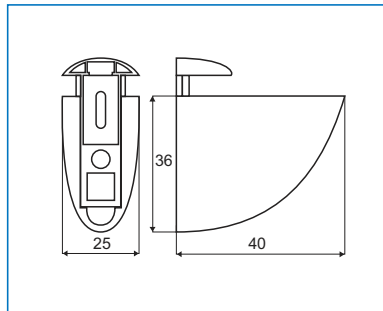
SHELF THICKNESS 4-10 MM

NO. 45

Finish

- Polished chrome # 22.02.495
- SS-look # 22.02.496

Max load 20 kg
500 pcs per box



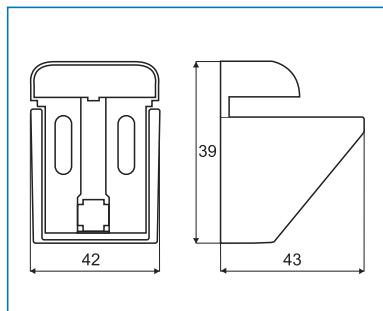
SHELF THICKNESS 4-26 MM

NO.51

Finish

- Mat chrome coated # 22.02.540
- Mat nickel coated # 22.02.541
- Polished chrome # 22.02.542
- SS-look # 22.02.543

Max load 30 kg
30 pcs per box



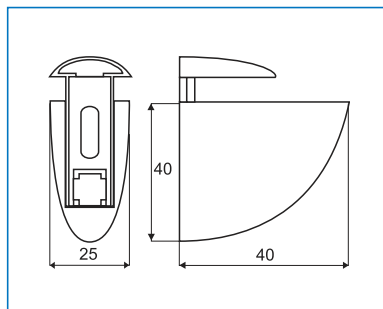
SHELF THICKNESS 4-24 MM

NO.48

Finish

- Mat chrome coated # 22.02.520
- Mat nickel coated # 22.02.521
- Polished chrome # 22.02.522
- SS-look # 22.02.523

Max load 20 kg
50 pcs per box



ADJUSTABLE SHELF SUPPORT „PELICANS“

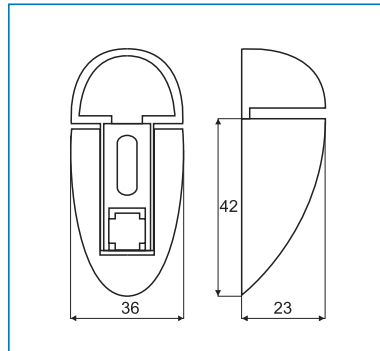
SHELF THICKNESS 4-26 MM

NO.46

Finish

Mat chrome coated	# 22.02.500
Mat nickel coated	# 22.02.501
Polished chrome	# 22.02.502

Max load 20 kg
50 pcs per box



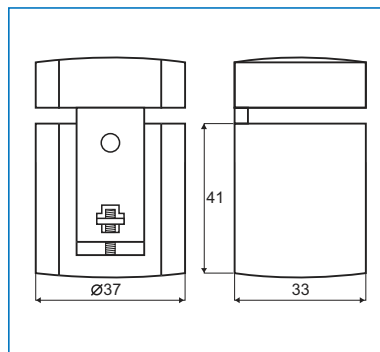
SHELF THICKNESS 4-24 MM

NO. 43

Finish

Black coated	# 22.02.470
Alu finish	# 22.02.471
Polished chrome	# 22.02.472
SS-look	# 22.02.473
Matt nickel	# 22.02.474

Max load 20 kg
200 pcs per box



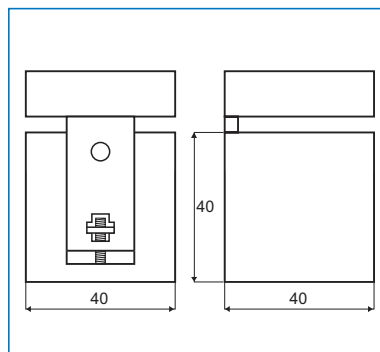
SHELF THICKNESS 4-24 MM

NO. 44

Finish

Black coated	# 22.02.475
Alu finish	# 22.02.476
Polished chrome	# 22.02.477
SS-look	# 22.02.478
Matt nickel	# 22.02.479

Max load 20 kg
200 pcs per box



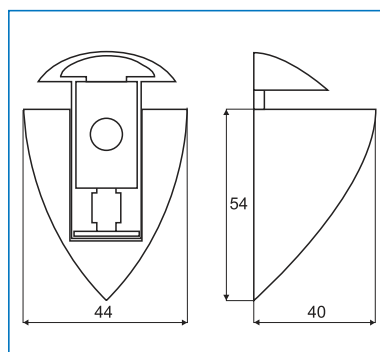
SHELF THICKNESS 4-26 MM

NO.47

Finish

Mat chrome coated	# 22.02.510
Mat nickel coated	# 22.02.511
Polished chrome	# 22.02.512
SS-look	# 22.02.513

Max load 20 kg
30 pcs per box



ZAMAK GLASS CLAMP NO. 31 F/WALL MOUNTING

Application

Balconies, balustrade, shelves etc.

Material

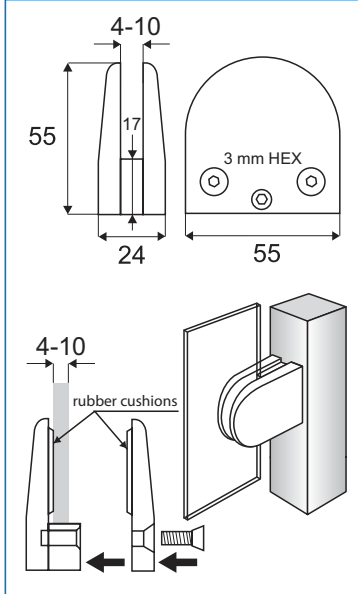
Zamak

Model „Large“ w/round rubber rings f/glass thickness 4-10 mm

Chrome plated # 22.10.150
Gold plated # 22.10.151
Matt nickel plated # 22.10.152

Packing

100 pcs per carton



Application

Balconies, balustrade, shelves etc.

Material

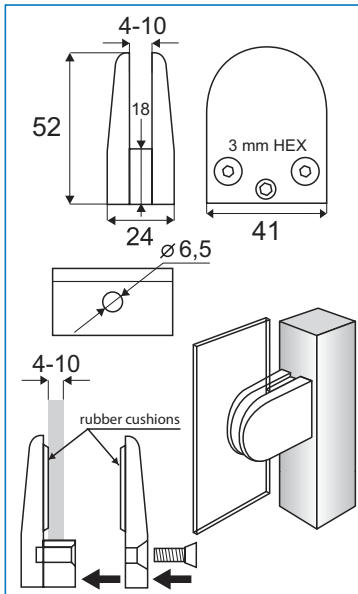
Zamak

Model „Medium“ w/flat rubber cushions f/glass thickness 4-10 mm

Chrome plated # 22.10.160
Gold plated # 22.10.1XX
Matt nickel plated # 22.10.161

Packing

100 pcs per carton



Application

Balconies, balustrade, shelves etc.

Material

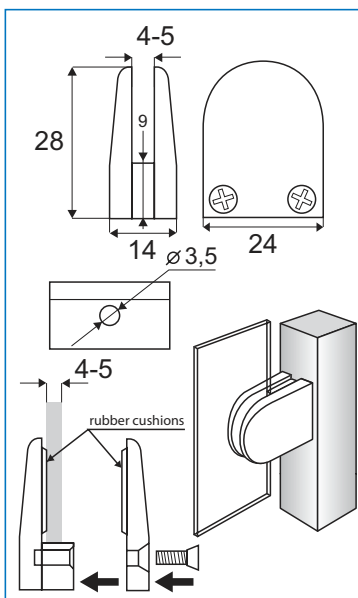
Zamak

Model „Small“ w/flat rubber cushions f/glass thickness 4-5 mm

Chrome plated # 22.10.165
Gold plated # 22.10.1XX
Matt nickel plated # 22.10.166

Packing

500 pcs per carton



ZAMAK GLASS CLAMP NO. 31 F/TUBE MOUNTING

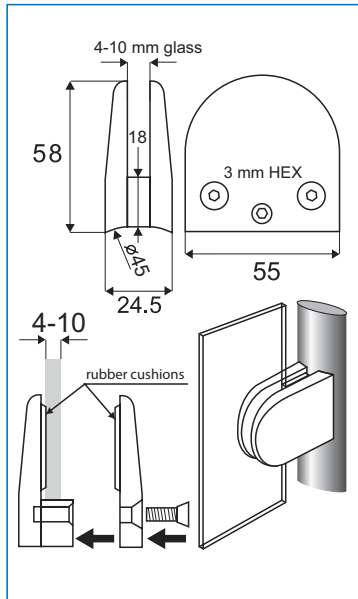
Application
Balconies, balustrade, staircases etc.

Material
Zamak

ø45 mm tube „L“ w/round rubber rings f/glass thickness 4-10 mm

Chrome plated # 22.10.170
Matt nickel plated # 22.10.171
Gold plated # 22.10.XXX

Packing
100 pcs per carton



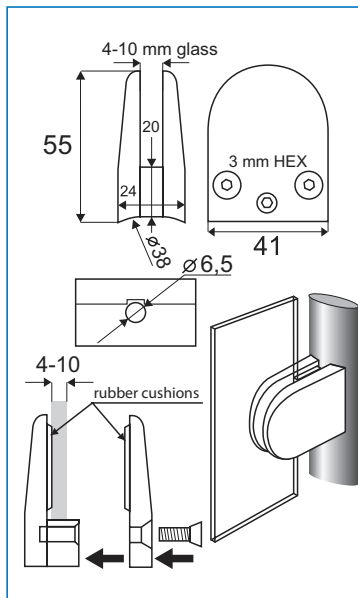
Application
Balconies, balustrade, staircases etc.

Material
Zamak

ø38 mm tube „M“ w/flat rubber cushions f/glass thickness 4-10 mm

Chrome plated # 22.10.175
Matt nickel plated # 22.10.176
Gold plated # 22.10.XXX

Packing
100 pcs per carton



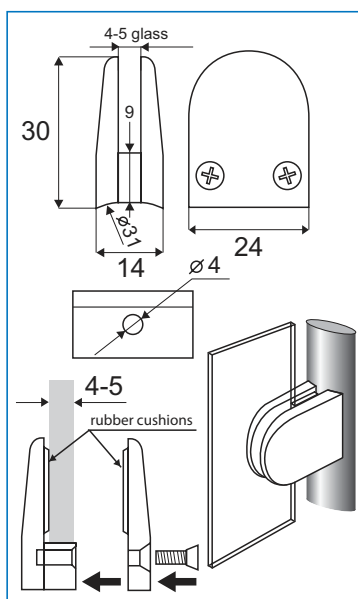
Application
Balconies, balustrade, staircases etc.

Material
Zamak

ø31 mm tube „S“ w/flat rubber cushions f/glass thickness 4-5 mm

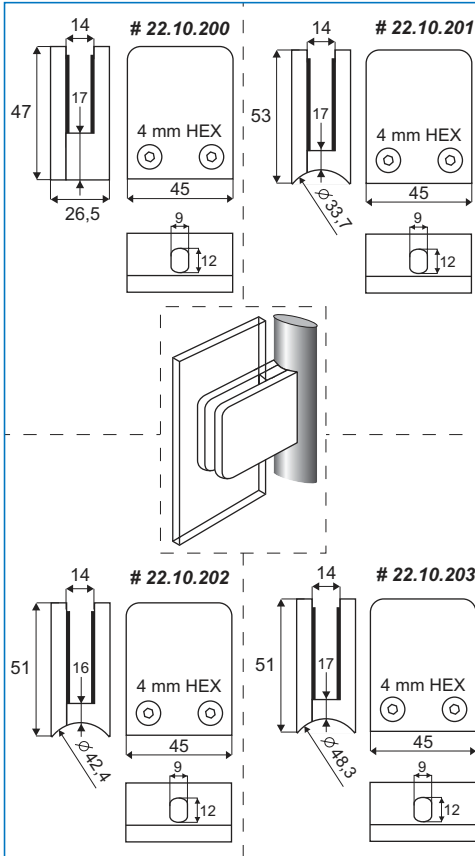
Chrome plated # 22.10.180
Matt nickel plated # 22.10.181
Gold plated # 22.10.XXX

Packing
500 pcs per carton



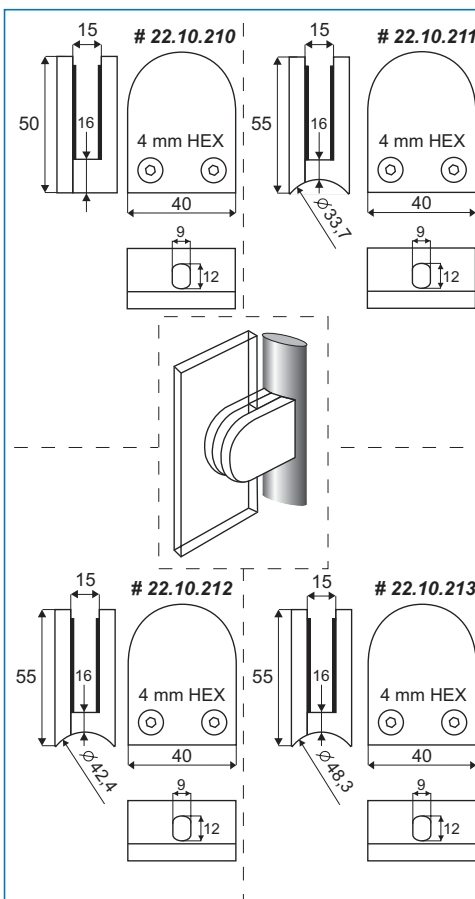
STAINLESS STEEL & ZAMAK GLASS CLAMPS „SQUARE“

Material: Brushed stainless steel 304 & 316 or zamak, raw
Glass thickness: 6 - 10,76 mm
Size: 45 x 47 x 26,5 mm
Model „Flat“ without cushions
 SS-316 Brushed # 22.10.200-0
 SS-304 Brushed # 22.10.200-9
 Zamak Raw # 22.10.200-8
Model „Tube ø33,7 mm“ without cushions
 SS-316 Brushed # 22.10.201-0
 SS-304 Brushed # 22.10.201-9
 Zamak Raw # 22.10.201-8
Model „Tube ø42,4 mm“ without cushions
 SS-316 Brushed # 22.10.202-0
 SS-304 Brushed # 22.10.202-9
 Zamak Raw # 22.10.202-8
Model „Tube ø48,3 mm“ without cushions
 SS-316 Brushed # 22.10.203-0
 SS-304 Brushed # 22.10.203-9
 Zamak Raw # 22.10.203-8
EPDM-cushions to regulate glass thickness to be bought separately



STAINLESS STEEL & ZAMAK GLASS CLAMPS „OVAL-S“

Material: Brushed/polished stainless steel 304 & 316 or zamak, raw
Glass thickness: 6 - 10,76 mm
Size: 45 x 50 x 26,5 mm
Model „Flat“ without cushions
 SS-316 Brushed # 22.10.210-0
 SS-316 Polished # 22.10.260-0
 SS-304 Brushed # 22.10.210-9
 Zamak Raw # 22.10.210-8
Model „Tube ø33,7 mm“ without cushions
 SS-316 Brushed # 22.10.211-0
 SS-304 Brushed # 22.10.211-9
 Zamak Raw # 22.10.211-8
Model „Tube ø42,4 mm“ without cushions
 SS-316 Brushed # 22.10.212-0
 SS-316 Polished # 22.10.262-0
 SS-304 Brushed # 22.10.212-9
 Zamak Raw # 22.10.212-8
Model „Tube ø48,3 mm“ without cushions
 SS-316 Brushed # 22.10.213-0
 SS-304 Brushed # 22.10.213-9
 Zamak Raw # 22.10.213-8
Safety pin white plastic (optional)
 ø5,5 x 18 mm # 22.10.240
EPDM-cushions to regulate glass thickness to be bought separately



STAINLESS STEEL & ZAMAK GLASS CLAMPS „OVAL-L“

Material: Brushed stainless steel 304 & 316 or zamak, raw

Glass thickness: 6 - 10,76 mm

Size: 45 x 64 x 26,5 mm

Model „Flat“ without cushions

SS-316 Brushed # 22.10.220-0

SS-304 Brushed # 22.10.220-9

Zamak Raw # 22.10.220-8

Model „Tube ø33,7 mm“ without cushions

SS-316 Brushed # 22.10.221-0

SS-304 Brushed # 22.10.221-9

Zamak Raw # 22.10.221-8

Model „Tube ø42,4 mm“ without cushions

SS-316 Brushed # 22.10.222-0

SS-304 Brushed # 22.10.222-9

Zamak Raw # 22.10.222-8

Model „Tube ø48,3 mm“ without cushions

SS-316 Brushed # 22.10.223-0

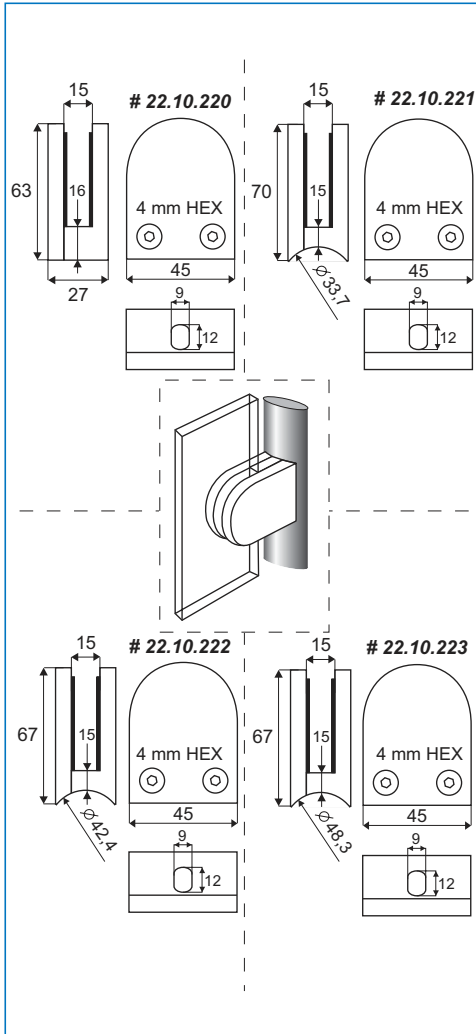
SS-304 Brushed # 22.10.223-9

Zamak Raw # 22.10.223-8

Safety pin white plastic (optional)

ø5,5 x 18 mm # 22.10.240

EPDM-cushions to regulate glass thickness to be bought seperately



EPDM CUSHIONS FOR STAINLESS STEEL & ZAMAK GLASS CLAMPS

MODEL „SQUARE“	Glass thickness	Glass Type	Cushion mm	Items numbers		
	6	mono	4 + 5	22.10.207	+	22.10.208
	6,76	Lam.	4 + 4	22.10.207	+	22.10.207
	8	mono	3 + 4	22.10.206	+	22.10.207
	8,76	Lam.	3 + 3	22.10.206	+	22.10.206
	10	mono	2 + 3	22.10.205	+	22.10.206
	10,76	Lam.	2 + 2	22.10.205	+	22.10.205



MODEL „OVAL-S“	Glass thickness	Glass Type	Cushion mm	Items numbers		
	6	mono	5 + 5	22.10.217	+	22.10.217
	6,76	Lam.	4 + 5	22.10.216	+	22.10.217
	8	mono	4 + 4	22.10.216	+	22.10.216
	8,76	Lam.	3 + 4	22.10.215	+	22.10.216
	10	mono	3 + 3	22.10.215	+	22.10.215
	10,76	Lam.	2 + 3	22.10.214	+	22.10.215



MODEL „OVAL-L“	Glass thickness	Glass Type	Cushion mm	Items numbers		
	6	mono	5 + 5	22.10.227	+	22.10.227
	6,76	Lam.	4 + 5	22.10.226	+	22.10.227
	8	mono	4 + 4	22.10.226	+	22.10.226
	8,76	Lam.	3 + 4	22.10.225	+	22.10.226
	10	mono	3 + 3	22.10.225	+	22.10.225
	10,76	Lam.	2 + 3	22.10.224	+	22.10.225

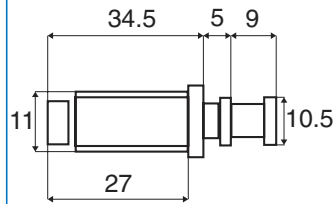


MAGNETIC TOUCH LATCH

Knock in type
- No striker included

Finish: Black Plastic # 22.01.095
Bore: Ø 11 x 38 mm

Packing
350 pcs per box
2800 pcs per export carton

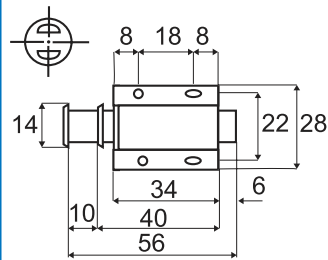


MAGNETIC TOUCH LATCH

- SINGLE
Screw on - No striker included
- round type

Finish: black plastic # 22.01.070
Fixation: c.c. 22 mm

Packing
250 pcs per box
1000 pcs per export carton

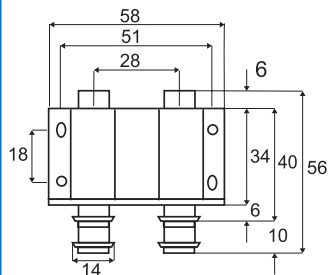


MAGNETIC TOUCH LATCH

- DOUBLE
Screw on - no striker included
- round type

Finish: black plastic # 22.01.088
Fixation: c.c. 18 mm/51 mm

Packing
500 pcs per box

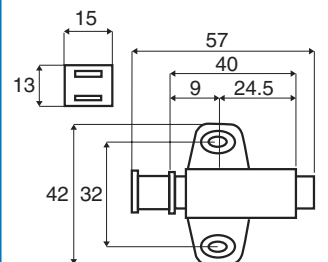


MAGNETIC TOUCH LATCH

- SINGLE
Screw on - no striker included
- square type

Finish: black plastic # 22.01.075
Fixation: c.c. 32 mm

Packing
250 pcs per box
1000 pcs per export carton

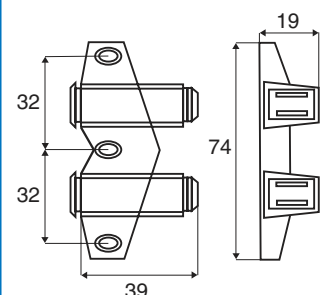


MAGNETIC TOUCH LATCH

- DOUBLE
Screw on - no striker included
- square type

Finish: black plastic # 22.01.087
Fixation: c.c. 32 mm/64 mm

Packing
125 pcs per box
500 pcs per export carton



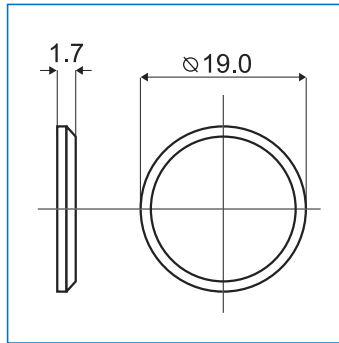
STRIKING PLATES

ROUND STRIKER - SELF ADHESIVE

For Rigid Fixation
- Stick On Type

Material: Steel
Nickel plated
Diameter: Ø 19 mm

22.01.118



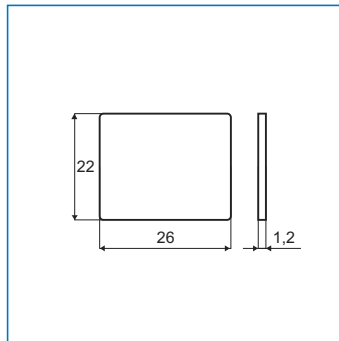
SQUARE STRIKER - SELF ADHESIVE

For Rigid Fixation
- Stick On Type

Material: Steel
Nickel plated

22.01.127

Size: 26 x 22 mm



CATCH PLATE - GLASS

with Handle & Pad
Size: 23 x 40 mm

Material: Steel
Chrome plate
Black anodized
Brass plated

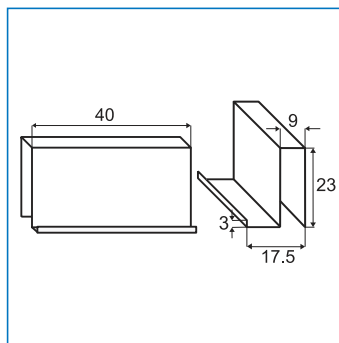
22.03.015

22.03.016

22.03.017

Packing

200 pcs per box
1000 pcs per export carton



CATCH PLATE - GLASS

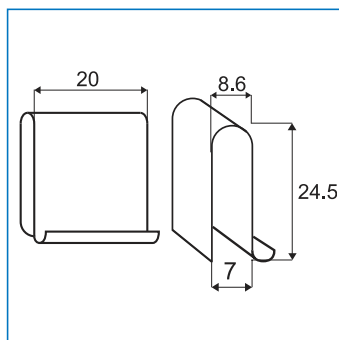
With Handle
Model: #558
Size: 20 x 20 mm

Material: Steel
Black anodized

22.03.018

Packing

200 pcs per box
2000 pcs per export carton



CATCH PLATE - GLASS

With Pad
Size: 40 x 25 mm

Material: Steel
Brass plated
Black anodized
Chrome plated

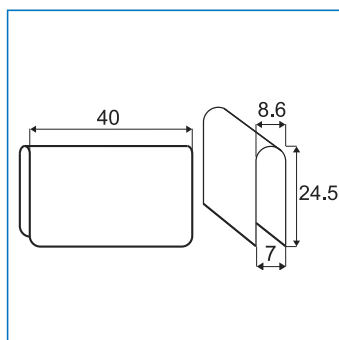
22.03.100

22.03.111

22.03.115

Packing

200 pcs per box
1000 pcs per export carton



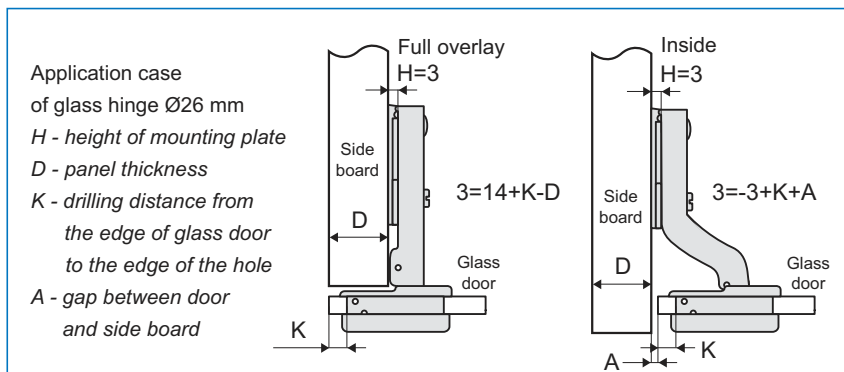
GLASS DOOR HINGES „MINI“ WITH FRONT COVER

AUTOMATIC GLASS DOOR HINGE WITH DOUBLE SPRING ACTION

Opening angle: 92°
Glass door drilling:
26 mm for glass thickness 4 to 6 mm
Supplied complete with wing mounting plate.
Steel nickel pl. 3 mm distance
for chipboard screw attachment
housing: plastic black
Hingearm keyhole type,
steel nickel pl.

TYPE A = FULL OVERLAY DOORS
0 mm cranking # 15.01.700

TYPE C = INSET DOORS
17 mm cranking # 15.01.710

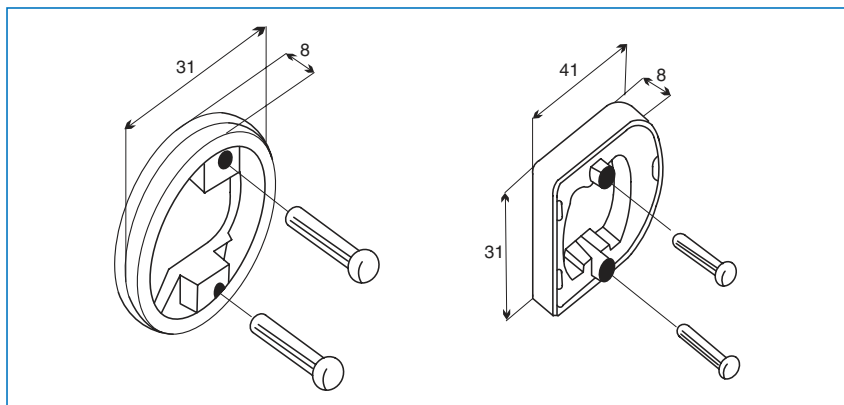


COVER CAPS FOR HINGE „MINI“

FRONT COVER PLASTIC

Round cover, chrome # 15.02.720
Round cover, gold # 15.02.721
Round cover, black # 15.02.722
Round cover, alu # 15.02.723
Round cover, matt NPL # 15.02.724

Oval cover, chrome # 15.02.730
Oval cover, gold # 15.02.731
Oval cover, black # 15.02.732
Oval cover, alu # 15.02.733
Oval cover, matt NPL # 15.02.734



GLASS DOOR HINGE „SMART-92“ WITH FRONT COVER

GLASS DOOR HINGE „SMART-92“

Application

For inset doors. Ideal for furniture where only a very narrow wooden side-wall/pole is available. Direct fixing to side-wall/pole without any mounting plate

Mounting

Glass door drilling: $\varnothing 26$ mm
Glass thickness: 4-6 mm
C.C. 32 mm

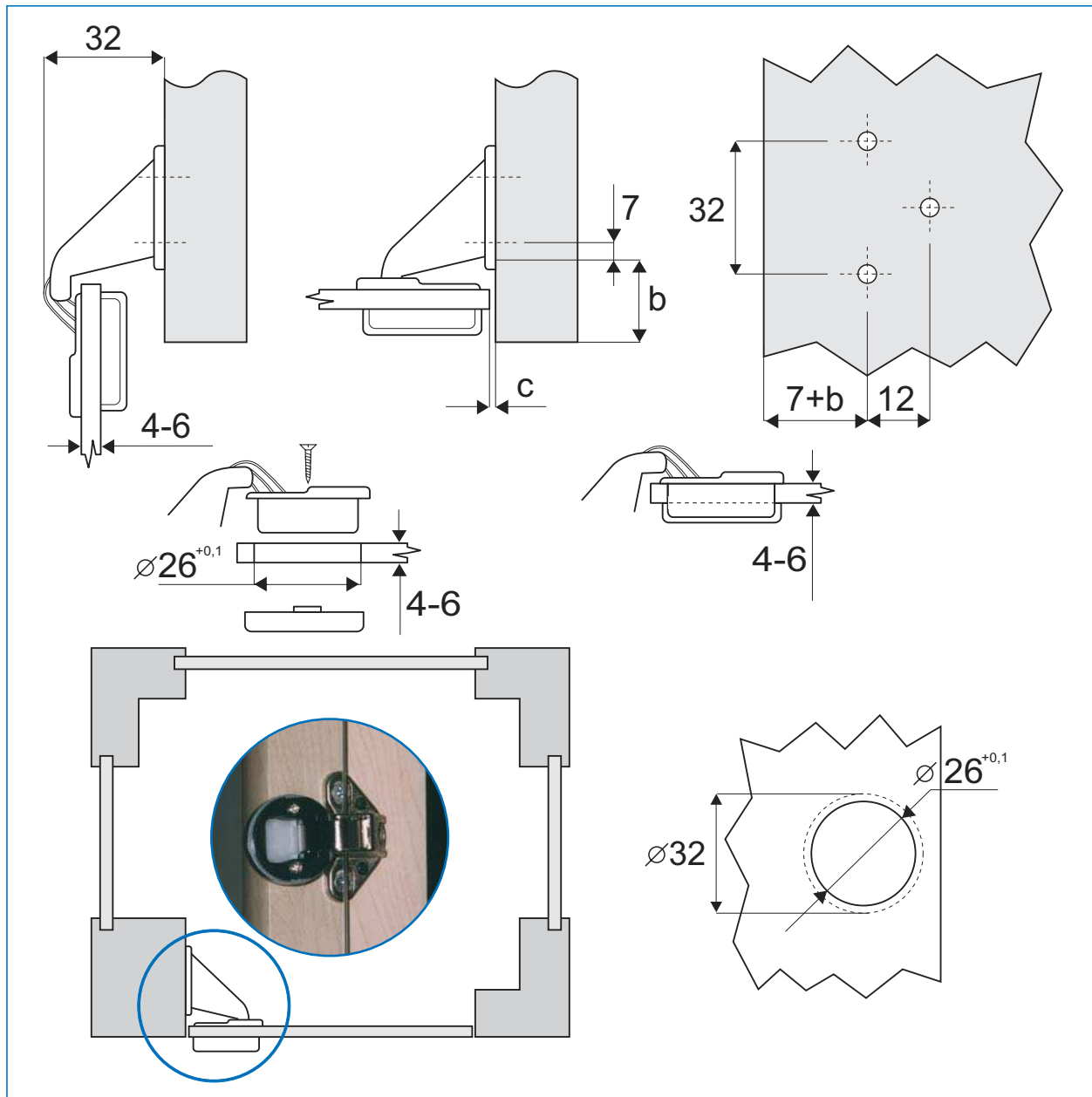
Material

Hinge arm: Zamak, nickel plated
Hinge cup: Black plastic
Item No. # 15.01.000
Plastic cover cap $\varnothing 32$ mm

Finish

Alu finish # 15.01.050
Nickel plated # 15.01.0XX
Gold plated # 15.01.0XX
Black anodized # 15.01.0XX

Oval shaped cover caps on request



GLASS DOOR HINGE „NICE“

MODEL „NICE“

Finish

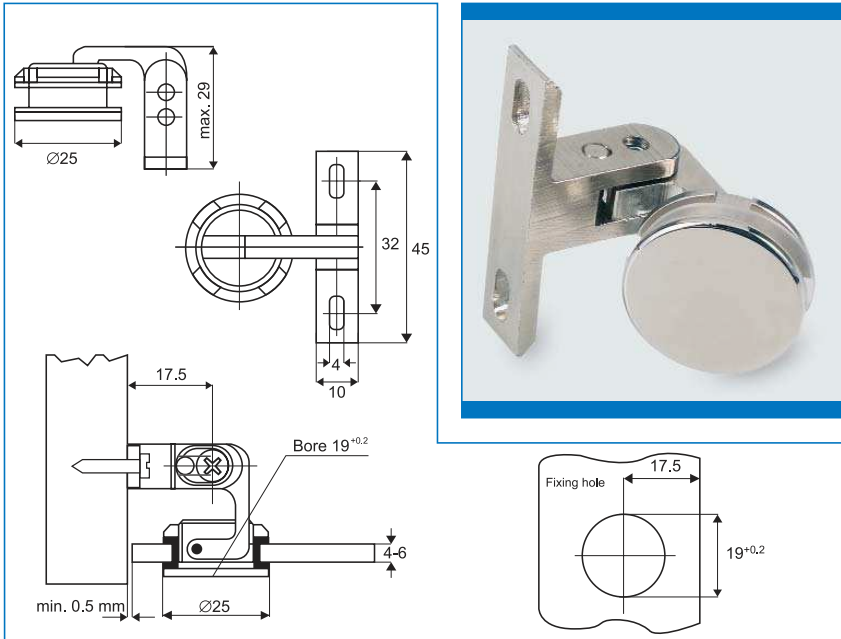
Chrome plated w/catch # 15.06.450
 Chrome plated no catch # 15.06.455

Material

Solid brass polished
 Brass chrome bright

Mounting

Inset doors 5-6 mm thickness
 without catch
 Opening angle: 105°
 universal top or bottom
 height can be adjusted
 Drill size 19 mm diam.



GLASS DOOR HINGE „ELEGANT“

MODEL „ELEGANT“

Material

Natural brass

Finish

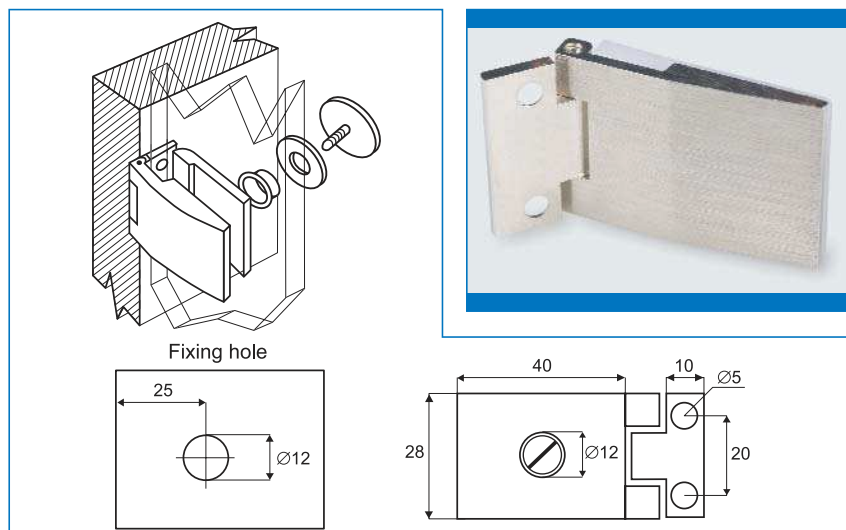
Brushed natural brass # 15.06.460
 Brushed nickel # 15.06.461

Mounting

Inset doors 6 mm thickness
 Opening 270°
 Drill size 12 mm

Packing

40 pcs



GLASS DOOR HINGE „GRACE“ SS304 FOR WOOD/GLASS

MODEL „GRACE“

Mounting: Glass: ø 10 mm boring holes
 Wood: 7 x 4 mm screw holes

Material: Stainless steel 304
 - polished

Hinge size: 52 x 31 x 13 mm (H/W/D)

Glass thickness: 5 - 8 mm

Max door size: 650 x 900 mm

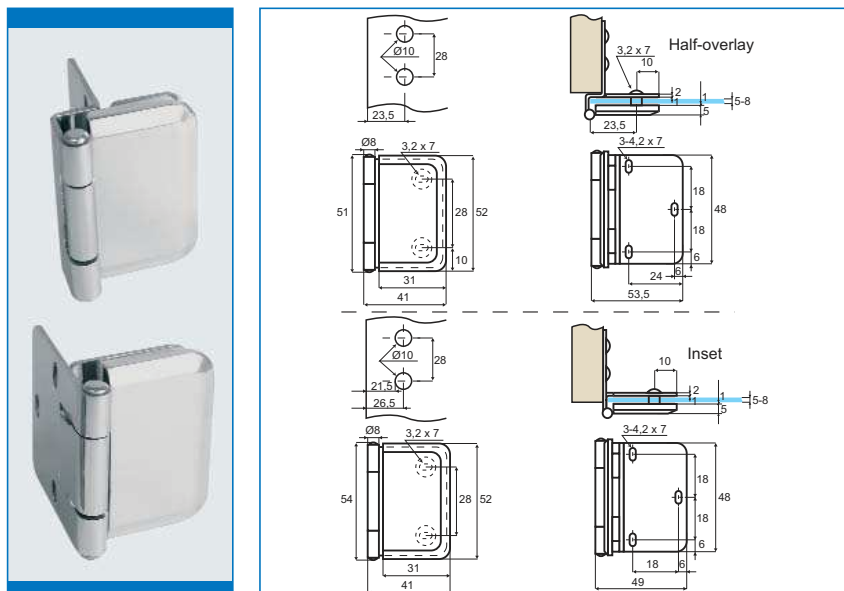
Max door weight: 6 kg per hinge

Function: Inset or half-overlay
 Opening 180°

Inset: # 15.06.470

Half-overlay: # 15.06.471

Each hinge is supplied with 2 white cushions 1 mm thickness



LIFT-OFF BUTT HINGE SS304 FOR UV-GLUE

Mounting: By UV-glue B 682-0 from Bohle.
UV-lamp is needed

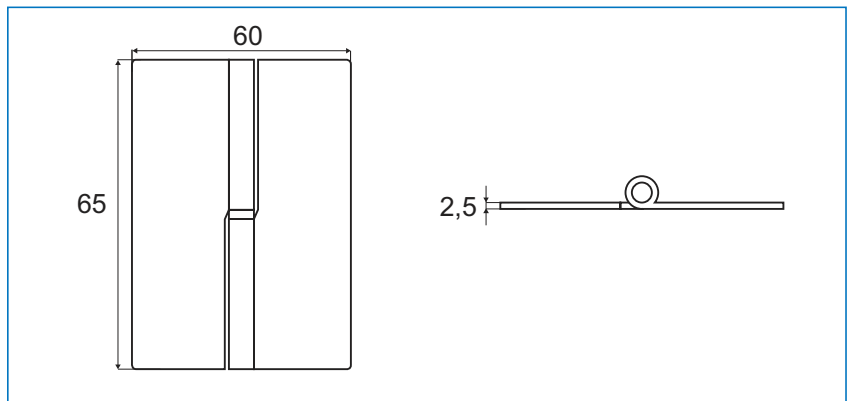
Material: 2,5 mm stainless steel 304 - polished

Hinge size: 65 X 60 mm (H/W)

Function: Inset doors
Max door width 500 mm
Load capacity: 7,5 KG per pair
Opening angle 270°
Glass thickness: 4-8 mm

Right hand: # 15.13.590

Left hand: # 15.13.600



BUTT HINGE SS304 FOR UV-GLUE

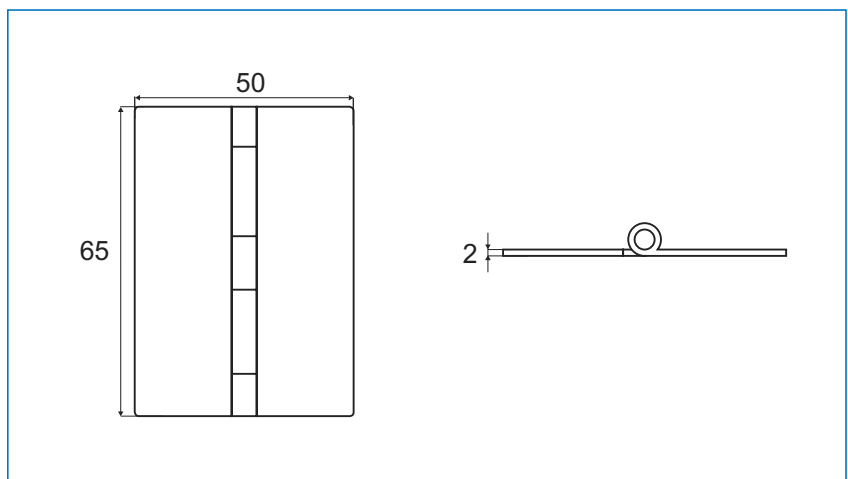
Mounting: By UV-glue B 682-0 from Bohle.
UV-lamp is needed

Material: 2 mm stainless steel 304 - polished

Hinge size: 65 x 50 mm (H/W)

Function: Inset doors
Max door width 500 mm
Load capacity: 7,5 KG per pair
Opening angle 270°
Glass thickness: 4-8 mm

Item No: # 15.13.105



GLASS DOOR HINGE 11.300 - NO DRILLING

MODEL
No. 11.300 inset doors

Material: Steel
 Chrome plated # 15.06.036
 Brass plated # 15.06.035
 Black anodized # 15.06.037
 Alu finish # 15.06.038

Mounting: Top + Bottom
 Inset Doors, max 4-6 mm
 Complete with nylon bushings

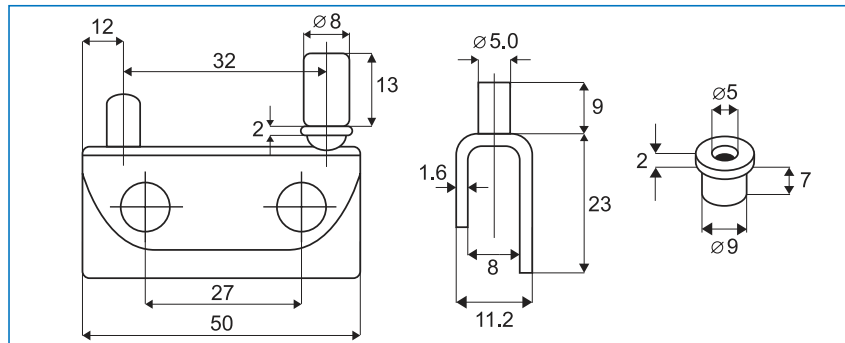
Front plate:
 Size: 50 x 23 mm - polished

Matching handle:
 See page 31

Packing:
 Each pair (Right + Left)
 is packed in a polybag complete
 with bushings & steel screws w/soft tip

BALL CATCH # 15.06.076
 Material: Brass
 Size: Ø 8 mm x 13 mm

Optional, to be ordered separately



GLASS DOOR HINGE 11.561 - NO DRILLING

MODEL
No. 11.561 inset doors

Material: Steel
 Chrome plated # 15.06.096
 Brass plated # 15.06.091
 Black anodized # 15.06.095
 Alu finish # 15.06.098

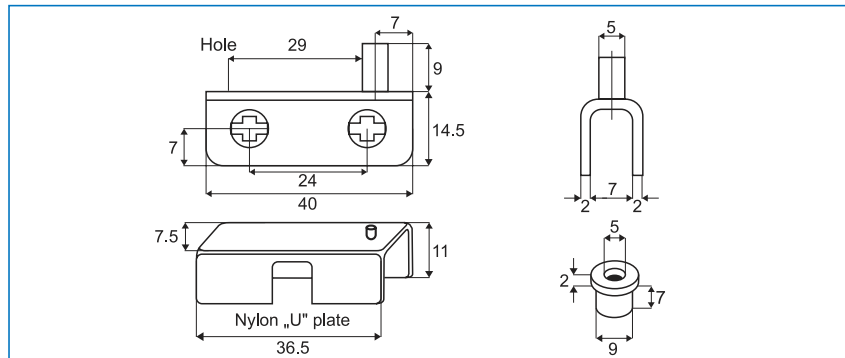
Mounting: Top + Bottom
 Inset Doors, max 5 mm
 Complete with nylon bushings
 & sleeve

Front plate:
 Size: 40 x 15 mm - polished

Matching handle:
 See page 31

Packing:
 Each pair (Right + Left) is packed
 in a polybag complete with bushings
 & sleeves.
 500 pairs per box

BALL CATCH # 15.06.076
 Material: Brass
 Size: Ø 8 mm x 13 mm
 Optional, to be ordered separately



GLASS PIVOT HINGE „BRASS“ - NO DRILLING

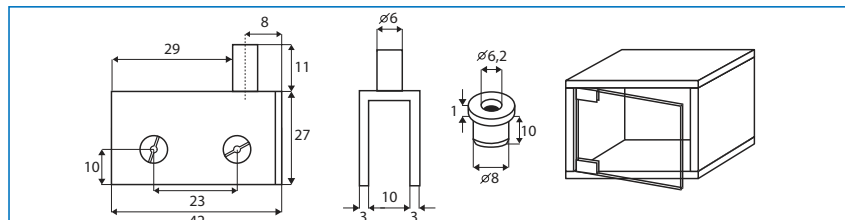
Mounting: Inset doors. Complete with
 brass bushings & soft
 tip screws

Material: 3 mm brass
Hinge size: 42 x 27 x 16
 mm (W/H/D)

Bushing size: Ø 8 x 11 mm

Glass thickness: 4 - 8 mm

Chrome plated # 15.06.070
 Alu finish # 15.06.071



GLASS PIVOT HINGE „STAINLESS STEEL“ - NO DRILLING

MODEL „SMALL“

Mounting:

Inset doors. Complete with brass bushings & soft tip screws

Material:

2 mm stainless steel, polished

Hinge size: 42 x 20 x 13 mm (W/H/D)

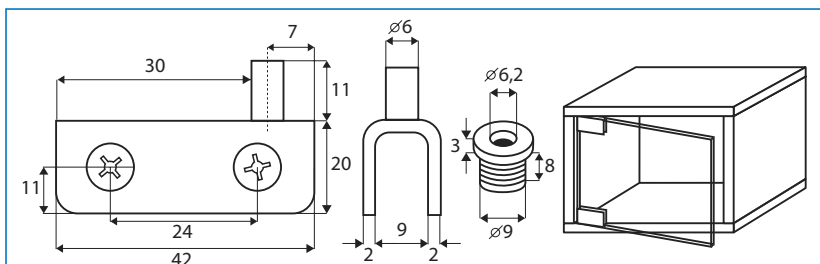
Bushing size: $\varnothing 9 \times 8$ mm

Glass thickness: 6 mm

Item No. # 15.06.060

Packing:

70 pairs per carton



MODEL „MEDIUM“

Mounting:

Inset doors. Complete with brass bushings & soft tip screws

Material:

2 mm stainless steel, polished

Hinge size: 52 x 26 x 16 mm (W/H/D)

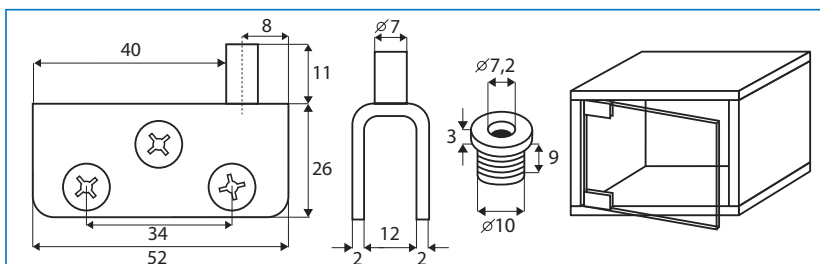
Bushing size: $\varnothing 10 \times 9$ mm

Glass thickness: 8 mm

Item No. # 15.06.062

Packing:

70 pairs per carton



MODEL „LARGE“

Mounting:

Inset doors. Complete with brass bushings & soft tip screws

Material:

2 mm stainless steel, polished

Hinge size: 71 x 35 x 17 mm (W/H/D)

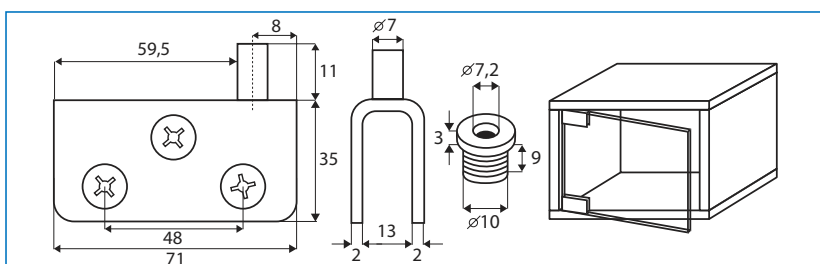
Bushing size: $\varnothing 10 \times 9$ mm

Glass thickness: 10 mm

Item No. # 15.06.064

Packing:

70 pairs per carton



GLASS DOOR HINGE A-11 - NO DRILLING

MODEL NO. A-11 w/Catch inset doors

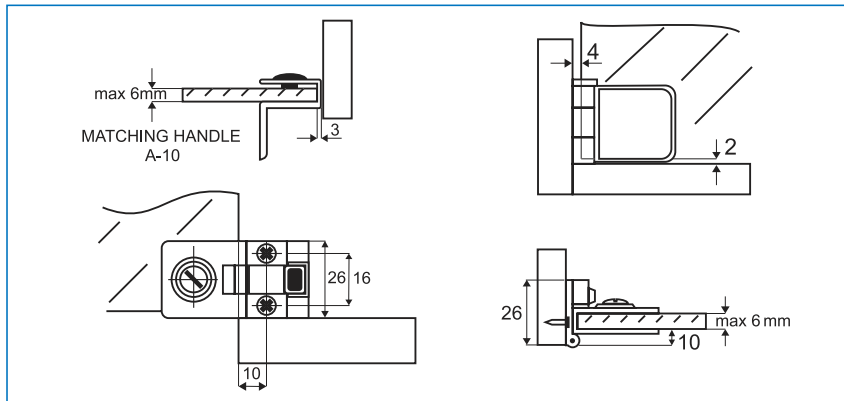
Material: Zamak
 Chrome plated # 15.06.126
 Brass plated # 15.06.120
 Black anodized # 15.06.127

Mounting:
 Inset doors, max 5-6 mm
 Side fixation

Front plate:
 Size: 25 x 25 mm - framed & sparkled

Matching handle:
 # A-10

Packing:
 Each pair (Right + Left) incl. pads/cushions is packed in a polybag
 200 pairs per box



GLASS DOOR HINGE 11-100 - NO DRILLING

MODEL NO. 11.100 w/Catch inset doors

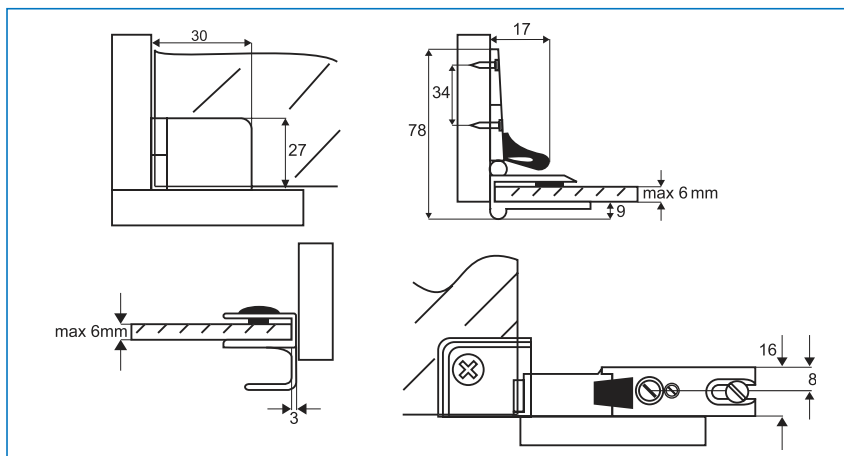
Material: Zamak
 Chrome plated # 15.06.025

Mounting: Side fixation
 Inset doors, max 4-6 mm
 Max door size: 800 x 350 mm
 - 4 kilos

Front plate:
 Size: 27 x 23 mm, sparkled

Matching handle:
 # 11.200

Packing:
 Each pair (Right + Left) incl. pads/cushions is packed in a polybag
 40 pairs per box
 200 pairs per export carton



GLASS DOOR HINGE D-13/2 - NO DRILLING

**MODEL w/Catch
NO. D 13/2 inset doors**

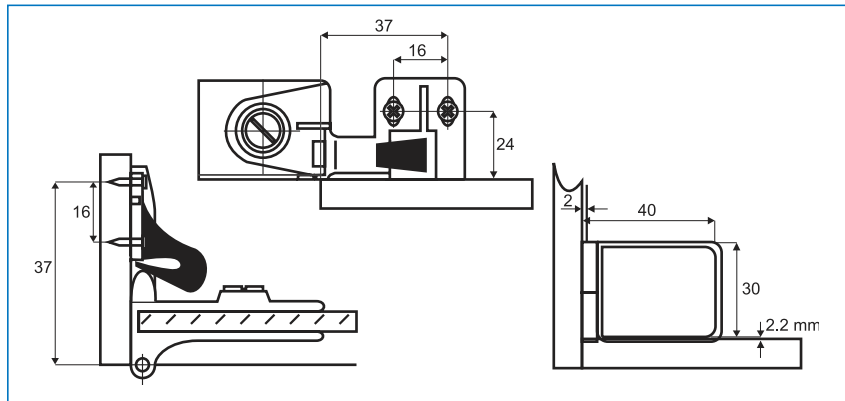
Material: Zamak
 Chrome plated # 15.06.102
 Bronze plated # 15.06.103
 Black anodized # 15.06.105

Mounting:
 Inset doors, max 5 mm
 Max door size 1000 x 600 mm

Front plate:
 Size 40 x 30 mm
 sparkled

Matching handle:
 # D-12, D-12/2, D-120

Packing:
 Each pair (right + left) incl. pads/cushions
 is packed in a polybag
 50 pairs per box
 200 pairs per export carton



GLASS DOOR HINGE D-17 - NO DRILLING

**MODEL D 17 w/Catch
OVERLAY DOORS**

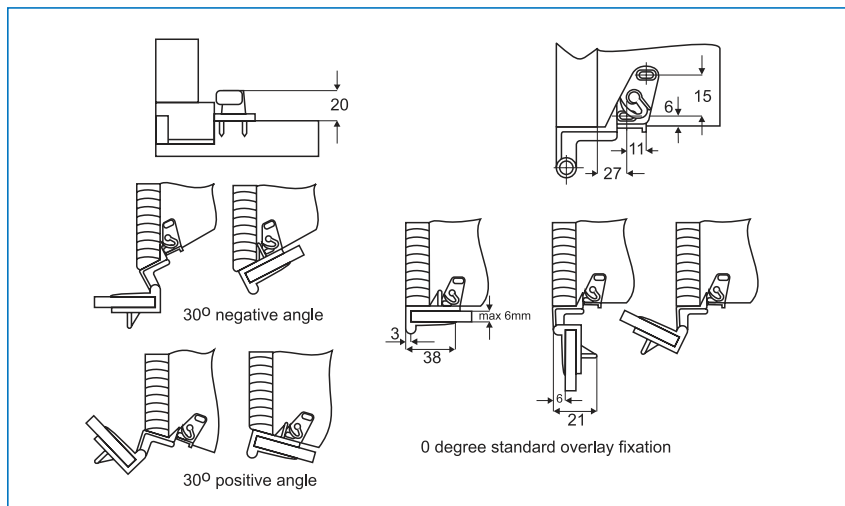
Material: Zamak
 Chrome plated # 15.06.135

Mounting:
 Overlay doors, max 6 mm
 Top & Bottom fixation
 for 30° positive
 and 30° negative angle
 Opening angle 120°

Front plate:
 Size: 40 x 30 mm - sparkled

Matching handle:
 # D-12, D-12/2 & D-120

Packing:
 Each pair (Right + Left)
 incl. pads/cushions is packed
 in a polybag
 200 pairs per box



GLASS DOOR HINGE D-16 - NO DRILLING

MODEL w/Catch
D-16 **OVERLAY DOORS**

Material
Zamak

Finish

Chrome plated # 15.06.415
Brass plated # 15.06.410
Black anodized # 15.06.420

Mounting

Overlay doors, max 5 mm

Front plate

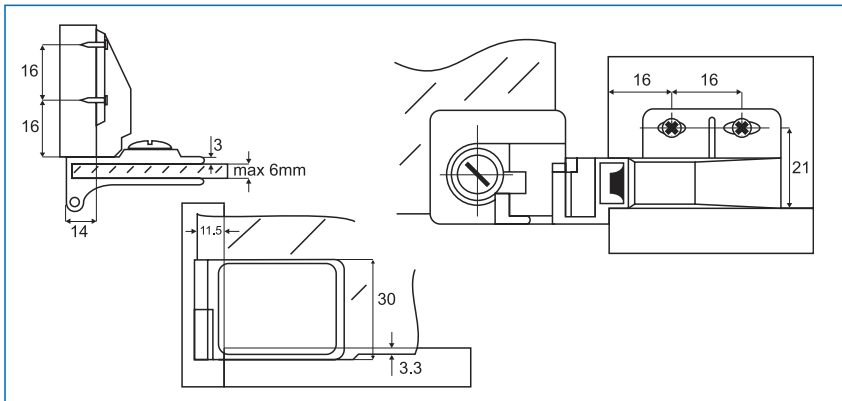
Size: 40 x 30 mm, sparkled

Matching handle

D-12, D-12/2 & D-120

Packing

Each pair (Right + Left)
incl. pads/cushions is packed
in a polybag
150 pairs per box



GLASS DOOR HINGE C-13 CENTER - NO DRILLING

MODEL w/Catch
C-13 **INSET DOORS**

Material Zamak L/R
Chrome plated # 15.06.311/321
Brass plated # 15.06.310/320
Bronze plated # 15.06.312/322
Black anodized # 15.06.313/323

Mounting

Inset doors, max 5 mm
Centre- or Top fixation for
rounded doors

Front plate

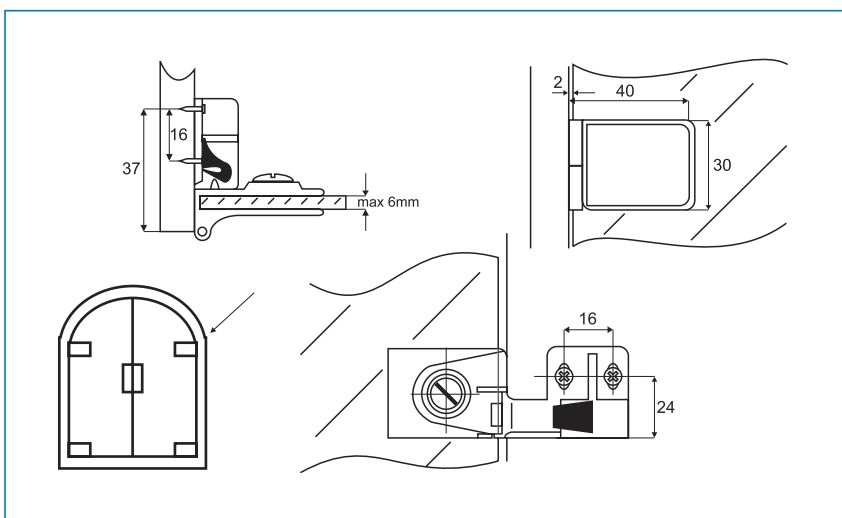
Size: 40 x 30 mm - framed
& sparkled

Matching handle

D-12, D-12/2 & D-120

Packing

100 pairs per box
400 pairs per export carton



BRASS GLASS DOOR HINGE „SWAN“ F/6-8 MM GLASS

MODEL „SWAN“

Finish

Gold plated # 15.30.000

Material

Brass

Consists of

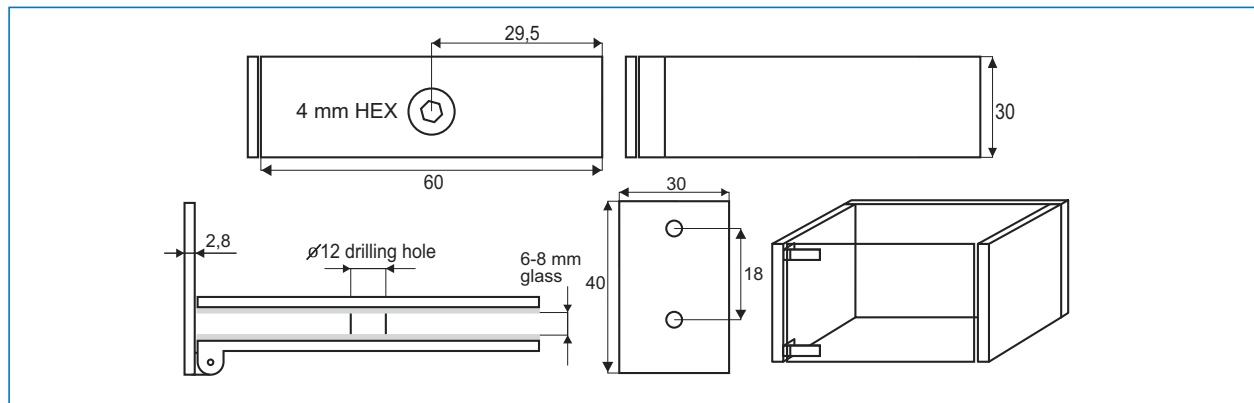
1 hinge 60 x 30 mm
2 cork cushions
1 brass screw M6 x 10 mm, 4 mm hex

Function

Inset doors, max 6-8 mm glass thickness
Max door size 1400 x 700 mm
ø12 mm drilling hole
Opening angle 90°

Packing

200 pcs per export carton



GLASS DOOR PULL F/SLIDING DOORS

GLASS DOOR PULL FOR SLIDING DOORS

Material

Brass

Ø30 x 9 mm - bore Ø 26 mm

Finish

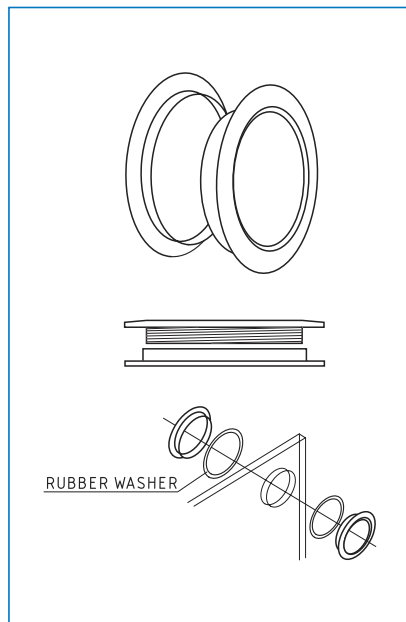
Chrome plated # 17.40.100
Alu finish # 17.40.101
Mat nickel # 17.40.102
Polish brass # 17.40.103
Satin brass # 17.40.104

Ø43 x 9 mm - bore Ø 35 mm

Finish

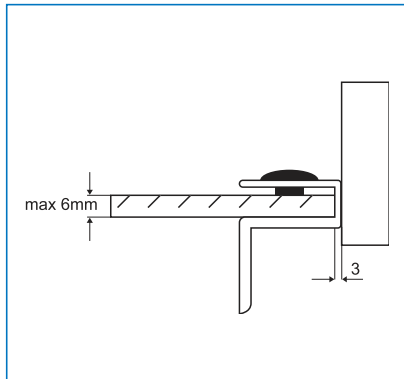
Chrome plated # 17.40.110
Alu finish # 17.40.111
Mat nickel # 17.40.112
Polish brass # 17.40.113
Satin brass # 17.40.114

FOR GLASS THICKNESS 4 - 8 mm

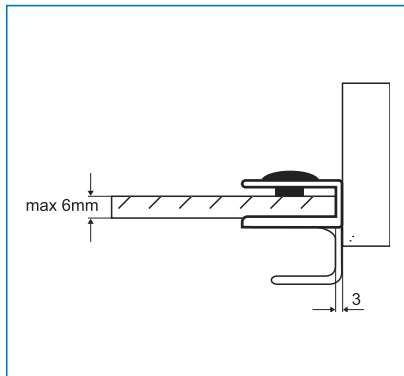


GLASS DOOR HANDLE - NO DRILLING

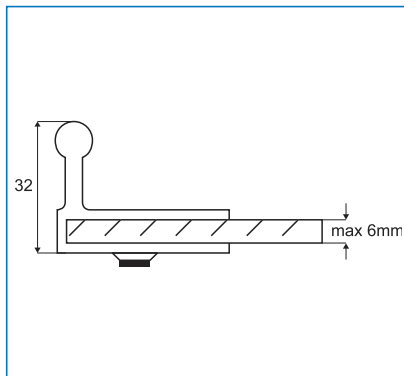
MODEL w/Clamp Screw
A-10 SINGLE DOOR
Material: Zamak
Chrome plated # 17.40.032
Brass plated # 17.40.030
Bronze plated # 17.40.033
Black anodized # 17.40.031
Packing:
500 pcs per export carton



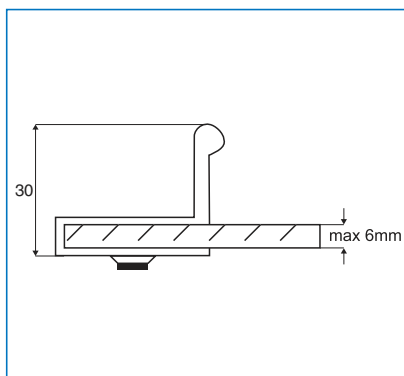
MODEL w/Clamp Screw
11-200 SINGLE DOOR
Material: Zamak
Chrome plated # 17.40.011
Brass plated
Bronze plated
Black anodized
Nickel plated # 17.40.010
Packing:
500 pcs per box



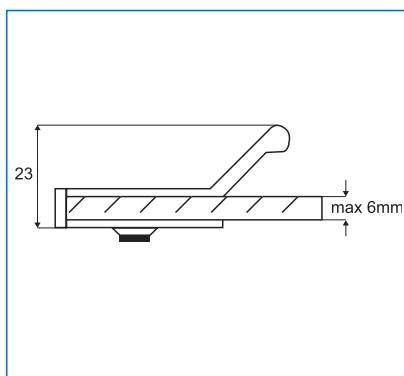
MODEL w/Clamp Screw
D-12 SINGLE DOOR
Material: Zamak
Chrome plated # 17.40.022
Brass plated # 17.40.020
Bronze plated # 17.40.023
Black anodized # 17.40.021
Finish: Sparkled
Packing:
200 pcs per box



MODEL w/Clamp Screw
D-12/2 SINGLE DOOR
Material: Zamak
Chrome plated # 17.40.018
Brass plated # 17.40.019
Bronze plated
Black anodized # 17.40.017
Finish: Sparkled
Packing:
50 pcs per box
400 pcs per export carton



MODEL w/Clamp Screw
D-120 DOUBLE DOORS
Material: Zamak
Chrome plated # 17.40.041
Brass plated # 17.40.040
Bronze plated # 17.40.042
Black anodized # 17.40.046
Finish: Sparkled
Packing:
50 pcs per box
400 pcs per export carton



MIRROR MOVEMENT NO. 117

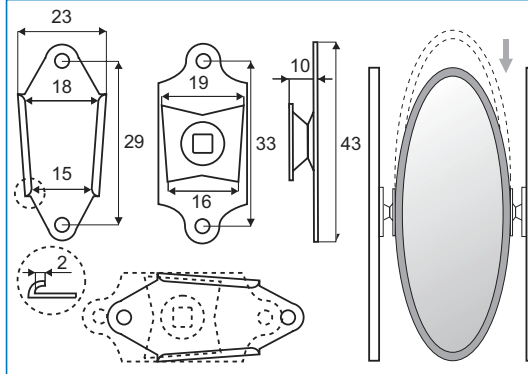
Application
For turnable mirrors w/wood frame

Material
Steel

Screw holes $\varnothing 4$ mm

Finish
Brass plated # 22.05.055
Bronze plated # 22.05.056
Nickel plated # 22.05.057

Packing: 200 sets per carton



MIRROR MOVEMENT NO. 88

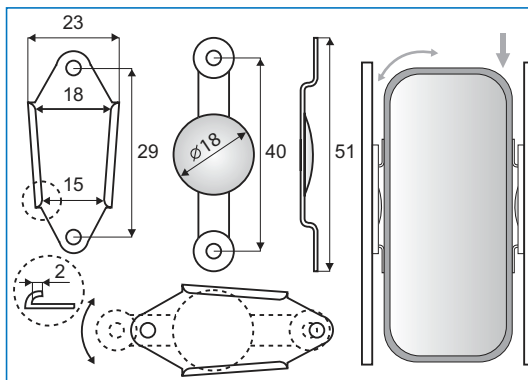
Application
For turnable mirrors w/wood frame

Material
Steel

Screw holes $\varnothing 4$ mm

Finish
Brass plated # 22.05.050
Bronze plated # 22.05.051
Nickel plated # 22.05.052

Packing: 200 sets per carton



MIRROR OR GLASS CLIP

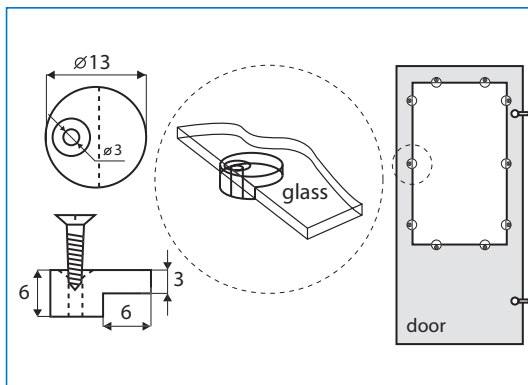
Application
For safe mounting of mirrors or other glass panels of 4 mm thickness

Material
Plastic transparent

Screw holes $\varnothing 3$ mm

Item No. # 22.05.200

Option
also available for other glass thickness upon special request or inquiry.
Other colour available.



MIRROR SNAP FITTING

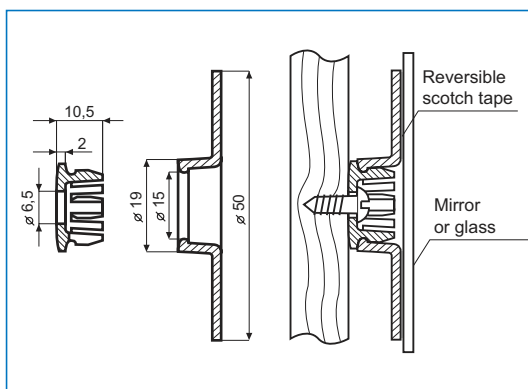
Application
Quick snap mounting of mirrors/glass

The snap button is screwed into the wall. The clip part is glued on the mirror with a premounted adhesive tape. After fixing of both parts you can mount the glass/mirror by pressing the fittings together.

Material
White plastic

Screw hole $\varnothing 6,5$ mm

Item No. # 22.05.205



MIRROR CLIPS W/SPRING

Application

Fixing of mirrors. No drilling in glass required

Consists of

2 spring loaded top clips & 2 fixed bottom clips

Glass thickness

5 mm

Screw holes

ø5 mm

Finish

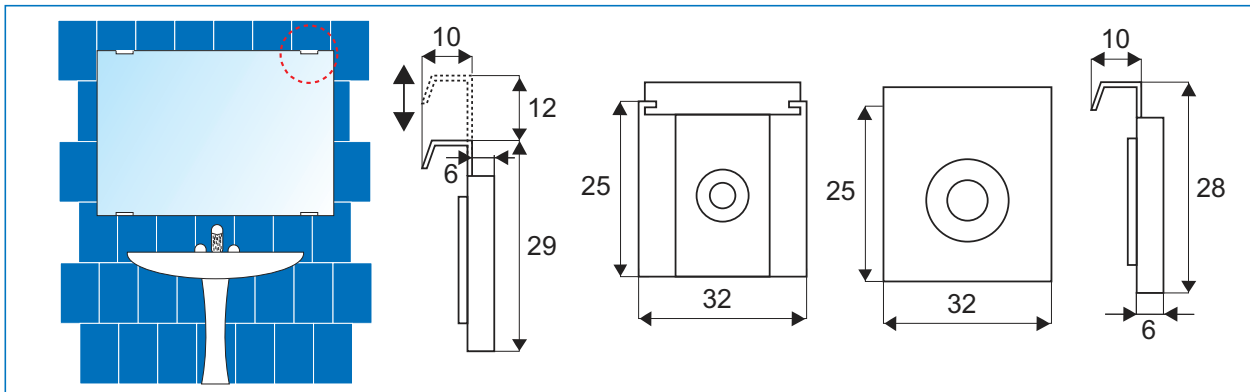
Steel, chrome plated # 22.05.100

Stainless steel 304 # 22.05.105

Packing

400 sets per carton

W/screws and wall plugs



MIRROR SCREWS W/CAP

Application

Fixing of mirrors. Drilling in glass required

Consists of

Screw, rubber ring & cap

Material

Brass

ø4 x 19 mm screw. ø13 mm cap

Chrome plated # 22.05.140

SS-look # 22.05.141

ø4 x 25 mm screw. ø13 mm cap

Chrome plated # 22.05.145

SS-look # 22.05.146

ø4 x 30 mm screw. ø13 mm cap

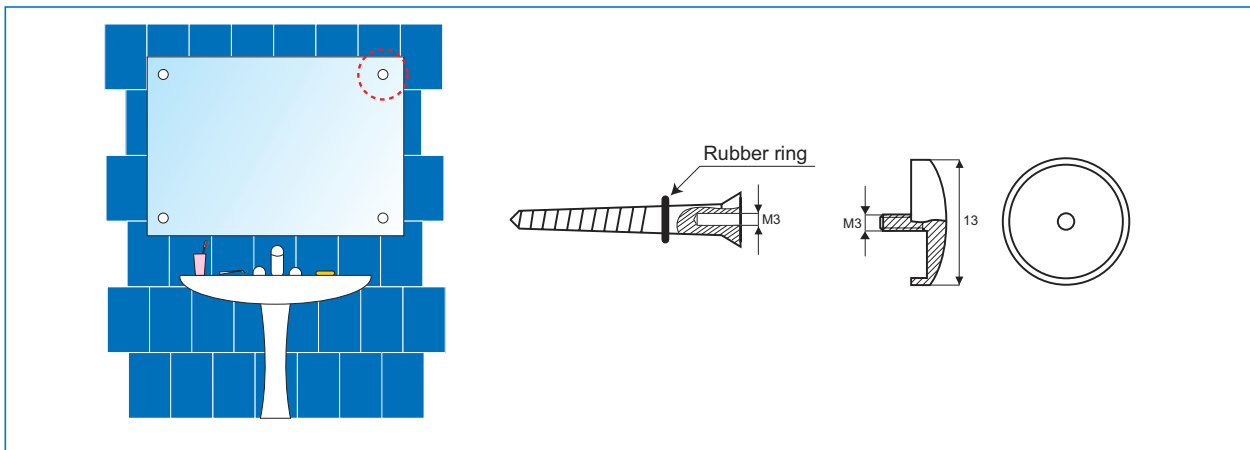
Chrome plated # 22.05.150

SS-look # 22.05.151

ø4 x 34 mm screw. ø13 mm cap

Chrome plated # 22.05.155

SS-look # 22.05.156



SIGNBOARD SCREWS „ALU“

Application
Mounting of signboards, mirrors etc.

Material
Aluminium

Mounting
ø 4 mm screw hole

ø 13 x 13 mm

Panel thickness: 2 - 6 mm
Anodized # 22.11.110
Red # 22.11.111
Blue # 22.11.112
Gold # 22.11.113
Black # 22.11.114
Alu polished # 22.11.115

ø 13 x 19 mm

Panel thickness: 2 - 8 mm
Anodized # 22.11.120
Red # 22.11.121
Blue # 22.11.122
Gold # 22.11.123
Black # 22.11.124
Alu polished # 22.11.125

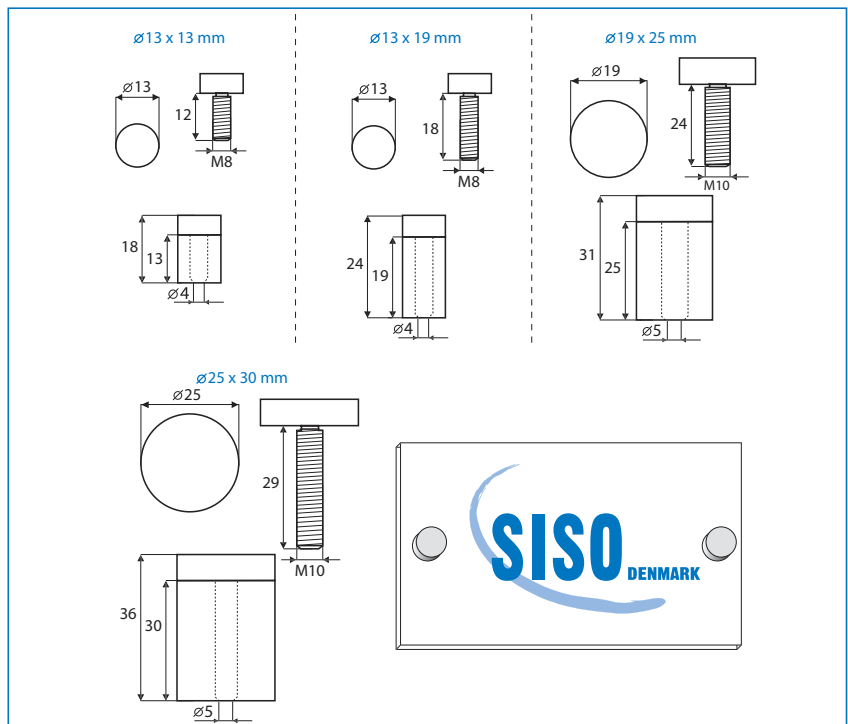
ø 19 x 25 mm

Panel thickness: 2 - 12 mm
Anodized # 22.11.130
Red # 22.11.131
Blue # 22.11.132
Gold # 22.11.133
Black # 22.11.134
Alu polished # 22.11.135

ø 25 x 30 mm

Panel thickness: 2 - 12 mm
Anodized # 22.11.140
Red # 22.11.141
Blue # 22.11.142
Gold # 22.11.143
Black # 22.11.144
Alu polished # 22.11.145

All signboard screws are supplied
w/2 transparent washers



SIGNBOARD SCREW „SS“ W/CSK HEAD

Application
Mounting of signboards, mirrors etc.

Features
Counter sunk head with snake eyes

Material
Stainless steel 304

Mounting
8 x 14 mm screw hole

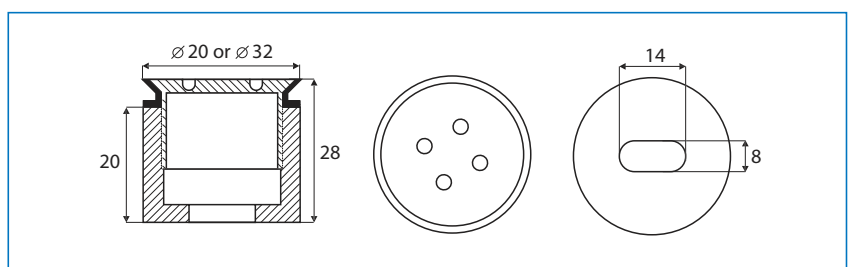
ø 20 x 28 mm

Panel thickness: 8 - 12 mm
SS 304 # 22.11.150

ø 32 x 28 mm

Panel thickness: 8 - 12 mm
SS 304 # 22.11.152

All signboard screws are supplied
with black plastic washers



SIGNBOARD SCREWS

Application

Mounting of signboards, mirrors etc.

Material

Brass

Mounting

ø4 mm screw hole

ø 13 x 19 mm

Panel thickness: 2 - 10 mm
 Chrome plated # 22.11.000
 SS-look # 22.11.001

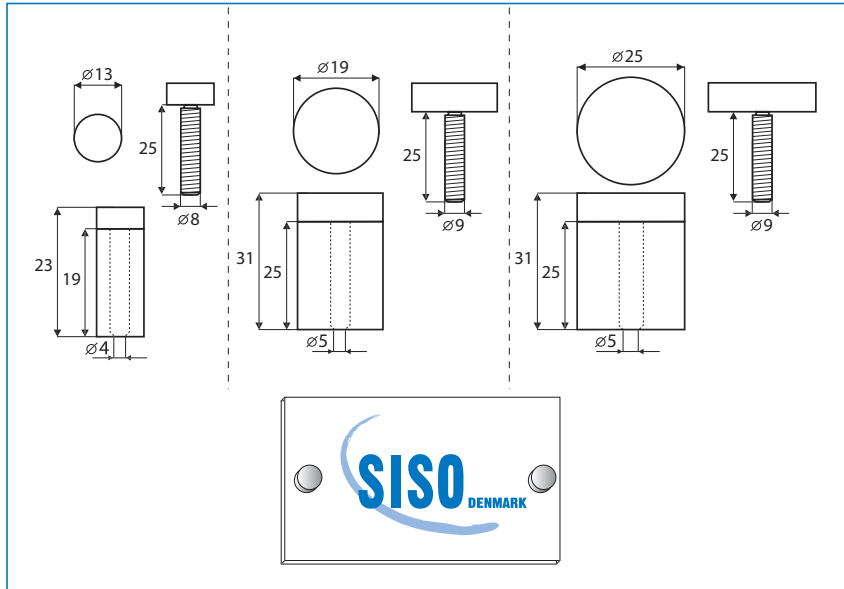
ø 19 x 25 mm

Panel thickness: 2 - 15 mm
 Chrome plated # 22.11.050
 SS-look # 22.11.051

ø 25 x 25 mm

Panel thickness: 2 - 15 mm
 Chrome plated # 22.11.100
 SS-look # 22.11.101

All signboard screws are supplied w/2 transparent washers



SIGNBOARD HOLDERS

Application

Mounting of signboards, mirrors etc.

Material

Brass

Mounting

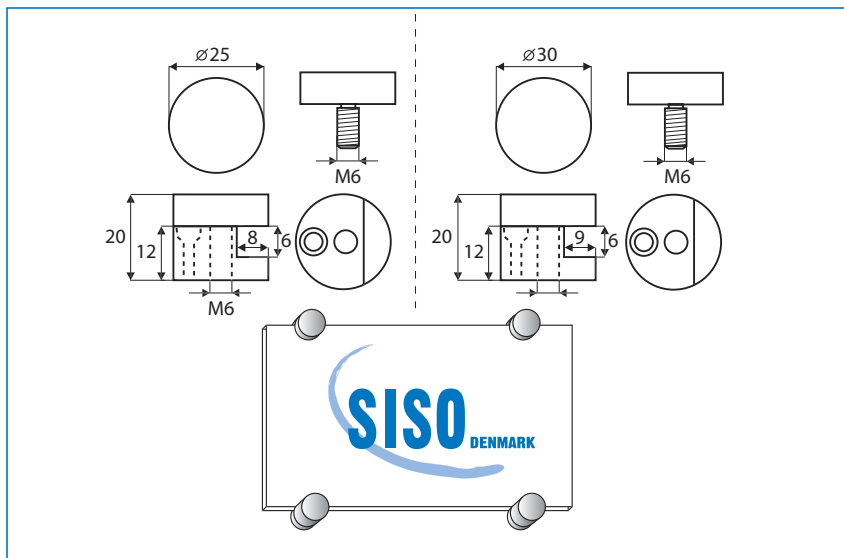
ø4 mm screw hole

ø 25 x 20 mm

Panel thickness: 6 mm
 Chrome plated # 22.11.200
 SS-look # 22.11.201

ø 30 x 20 mm

Panel thickness: 6 mm
 Chrome plated # 22.11.210
 SS-look # 22.11.211



SUCTION PADS & BUMPERS

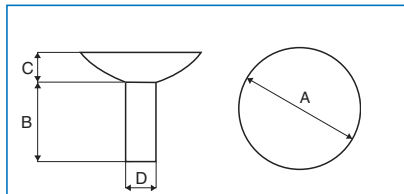
SUCTION PADS

For glass table tops

Material PVC

Colour Transparent

Packing 5000 pcs



#	A	B	C	D
10.38.210	ø15 mm	10 mm	4 mm	ø6 mm
10.38.220	ø20 mm	9 mm	6 mm	ø6 mm

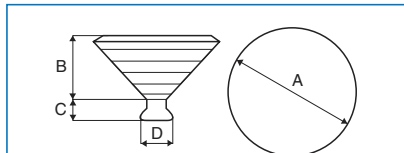


SUCTION PADS

For glass table tops

Material PVC

Colour Transparent



#	A	B	C	D
10.38.310	ø20 mm	10 mm	4 mm	ø6 mm
	ø25 mm	12 mm	5 mm	ø7 mm
10.38.312	ø30 mm	13 mm	5 mm	ø8 mm

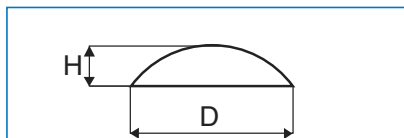


BUMPER DISCS

Self adhesive Silencers

Material PVC, soft

Colour Transparent



#	D	H	Box
10.39.010	ø7 mm	1.5 mm	2500 pcs
10.39.020	ø10 mm	1.5 mm	5000 pcs
10.39.030	ø10 mm	3 mm	5000 pcs
10.39.040	ø13 mm	4 mm	5000 pcs



TABLE LEG F/GLASS TABLE TOPS

Application

Table legs for glass table tops.
With adjustable glide.

Mounting

UV-Glue

Material

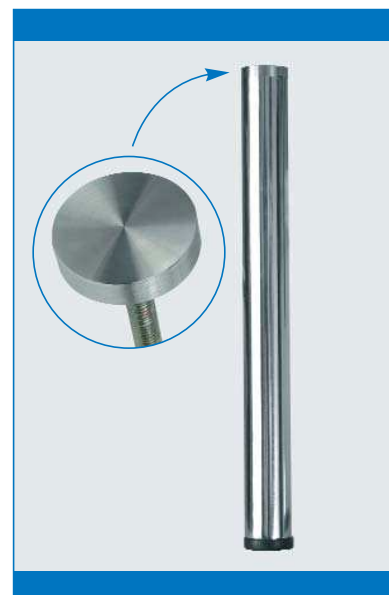
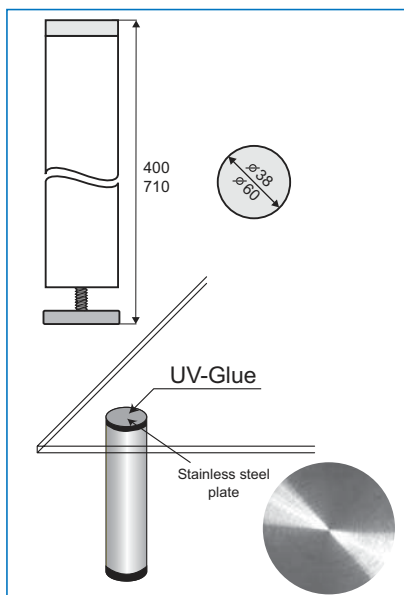
Steel, chrome plated legs
Stainless steel mounting plate
Black plastic adjuster

ø38 x 400 mm # 06.10.070

ø60 x 710 mm # 06.10.100

Packing

4 legs = 1 set



„The Post“

Shelving leg system.

Can be used for shelving, storage or display purposes. Office shelves, desk shelf, shop fittings, movable trade fair displays, entertainment centres.

Easy assembly and dis-assembly

Reconfigurable

Mounting clip for wood	Zamak Aluminium finish	# 22.30.000
Foot plug	Black plastic	# 22.30.001
Mounting plug clip	Black plastic	# 22.30.002
Mounting plate for glass	Stainless Steel	# 22.30.003
Aluminium bar of 2 meters	Aluminium anodized	# 22.30.004

Mounting instruction for glass tops

The stainless steel plate is first glued to the zamak mounting clip by use of BOHLE UV-Glue B 682-0 together with BOHLE UV-Activator B 953-0. UV-lamp is not needed.

After the 2 parts are glued together the stainless steel plate is glued to the glass plate by use of BOHLE UV-Glue B 682-0. UV-lamp is needed.

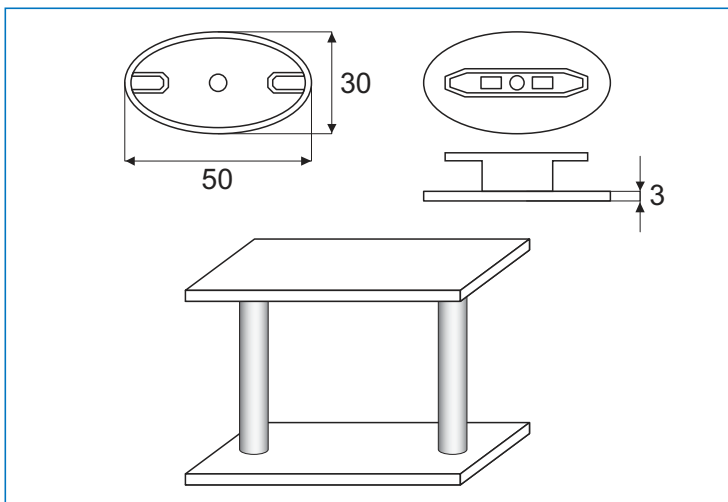
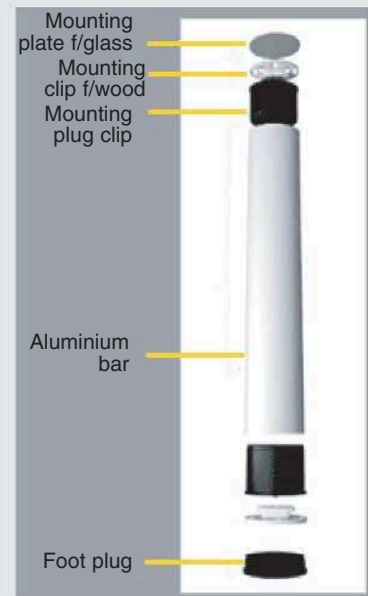
The Post - Connector detail



Kitchens



Extrusion illustration of The Post



Assembly

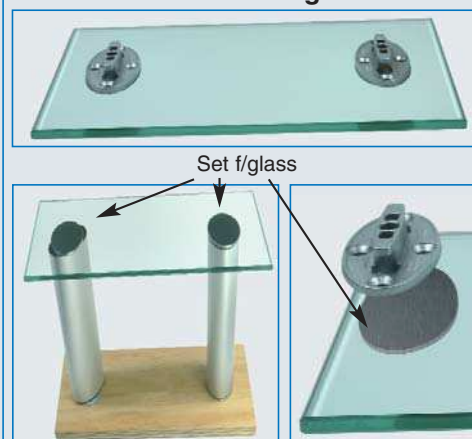


2. Place shelf on posts

1. Screw connectors into desk/bench and shelf and place posts on connectors

3. Twist posts until it locks „click“, simply twist to unlock

The Post for glass



SAUNA HINGE F/GLASS DOORS W/MOUTING PLATE

Model „SLOVAKIA“

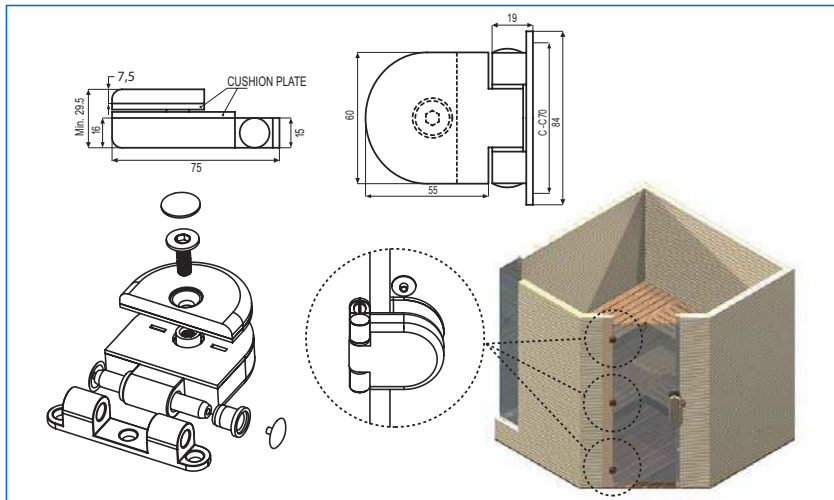
Opening: 180 degrees.
Load capacity: 20 kg per hinge.
Glass thickness: 6-8 mm.
Max glass width: 1000 mm.

One hinge consists of:

- 1 zamak mounting plate 15 x 84 mm.
- 3 CSK screw holes \varnothing 5 mm. c/c 70 mm.
- 1 zamak hinge body 60 x 55 mm.
- 1 stainless steel connecting pin.
- 2 plastic bushings.
- 1 stainless steel tightening screw M8 x 20 mm.
- 1 transparent height adjustment washer. Bore hole \varnothing 20 mm.
- 1 transparent protection ring. Bore hole \varnothing 16 mm.
- 3 plastic cover caps.

Finish

- Brown powder painted # 15.25.050
- Chrome plated # 15.25.051
- Aluminium look # 15.25.052
- Satin nickel plated # 15.25.053
- White powder painted # 15.25.054



SAUNA HINGE F/GLASS DOORS - PIN MOUTING

Model „TREBISOV“

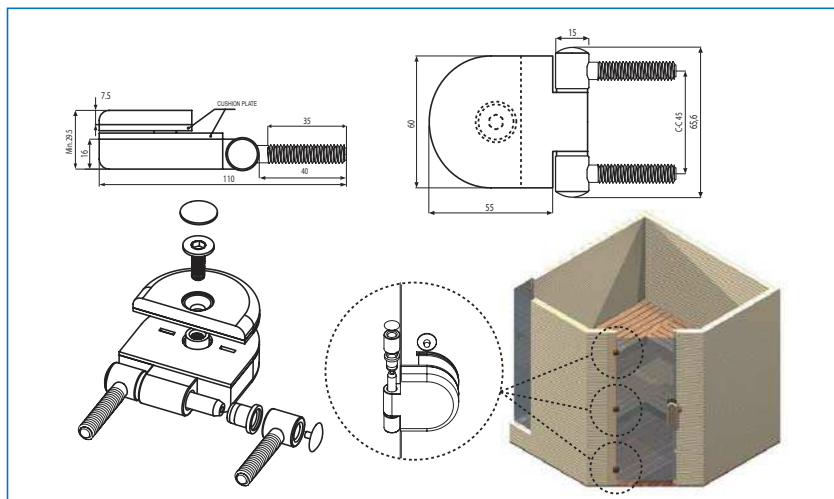
Opening: 180 degrees.
Load capacity: 20 kg per hinge.
Glass thickness: 6-8 mm.
Max glass width: 1000 mm.

One hinge consists of:

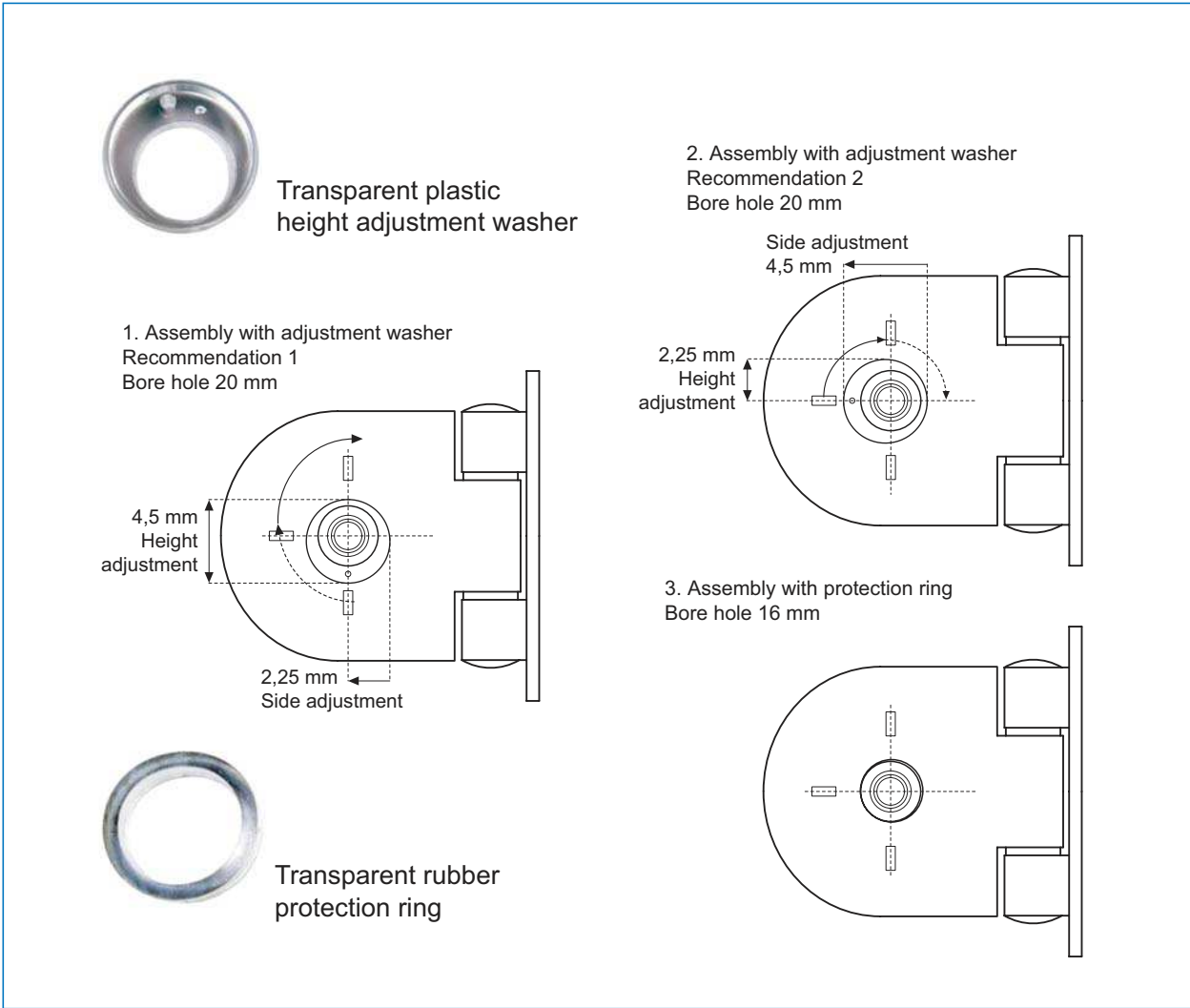
- 2 steel cylinders \varnothing 15 mm w/ M8 x 40 mm pins for door frame mounting. c/c. 45 mm.
- 1 zamak hinge body 60 x 55 mm.
- 1 stainless steel connecting pin.
- 2 plastic bushings.
- 1 stainless steel tightening screw M8 x 20 mm.
- 1 transparent height adjustment washer. Bore hole \varnothing 20 mm.
- 1 transparent protection ring. Bore hole \varnothing 16 mm.
- 3 plastic cover caps.

Finish

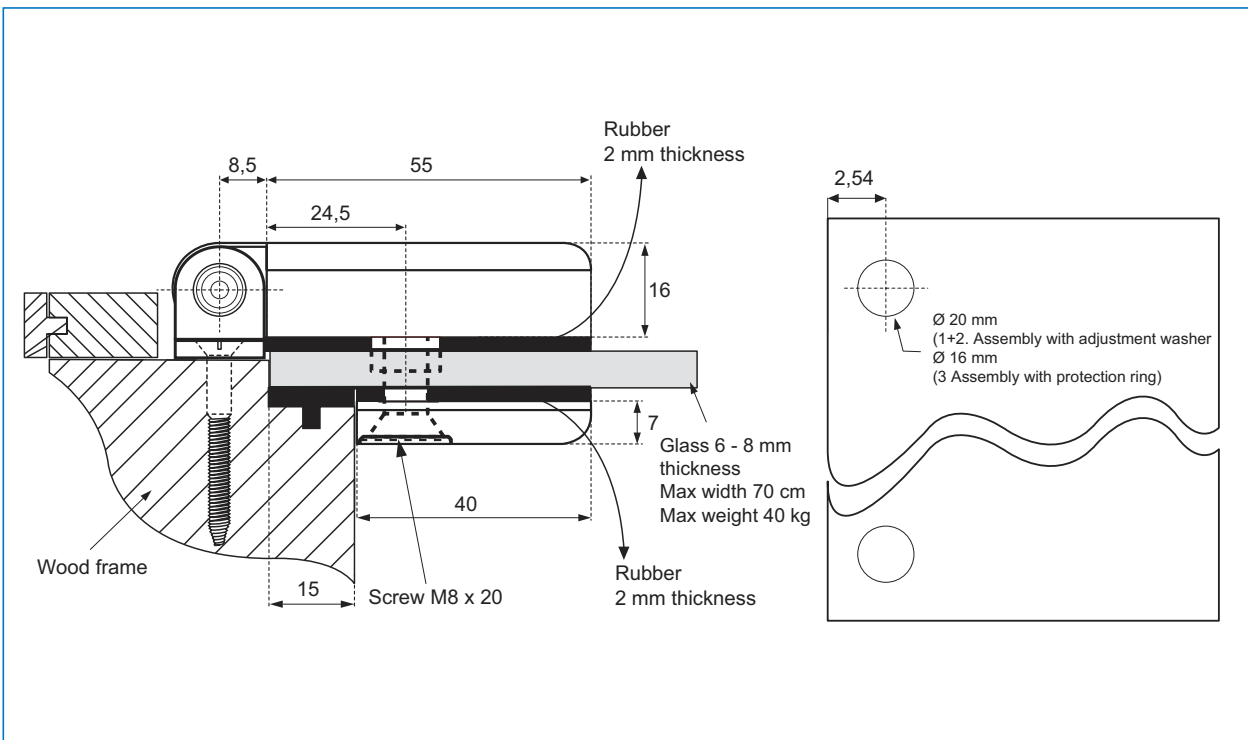
- Brown powder painted # 15.25.000
- Chrome plated # 15.25.002
- Aluminium look # 15.25.001
- Satin nickel plated # 15.25.003
- White powder painted # 15.25.004



HEIGHT ADJUSTMENT WASHER INSTRUCTION



MOUNTING INSTRUCTION F/GLASS DOOR HINGE MODEL SLOVAKIA & TREBISOV



SAUNA HINGE F/WOODEN DOORS - PIN MOUNTING

Model „BELARUS“

Opening: 180 degrees.

Load capacity: 20 kg per hinge.

One hinge consists of

2 steel cylinders $\varnothing 15$ mm

w/ M8 x 40 mm pins for door frame mounting. c/c 44 mm.

1 steel cylinder $\varnothing 15$ mm

w/ M8 x 50 mm pin for door mounting.

1 stainless steel connecting pin.

2 plastic bushings.

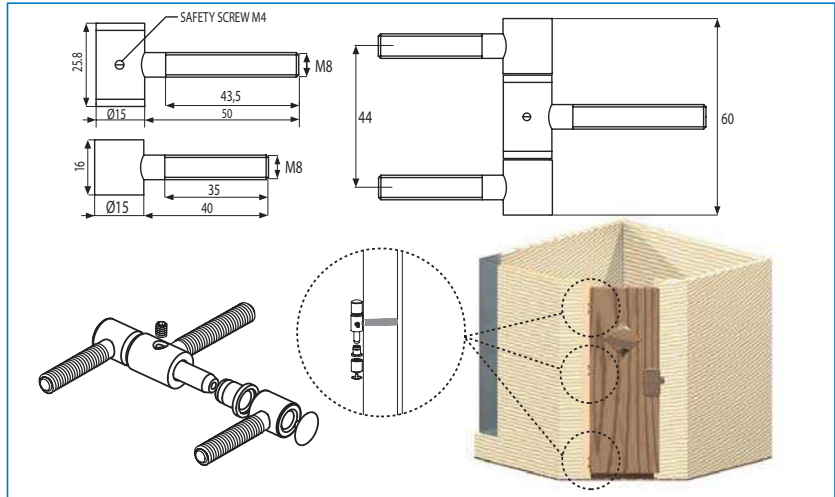
2 plastic cover caps.

1 safety screw M4.

Colour

Brown powder painted # 15.25.080

(other colours on request)



SAUNA HINGE F/WOODEN DOORS W/MOUNTING PLATE

Model „ESTI“

Opening: 180 degrees.

Load capacity: 20 kg per hinge.

One hinge consists of

1 zamak mounting plate 15 x 84 mm.

3 CSK screw holes $\varnothing 5$ mm. c/c 70 mm.

1 steel cylinder $\varnothing 15$ mm w/ M8 x 50 mm pin for door mounting.

1 stainless steel connecting pin.

2 plastic bushings.

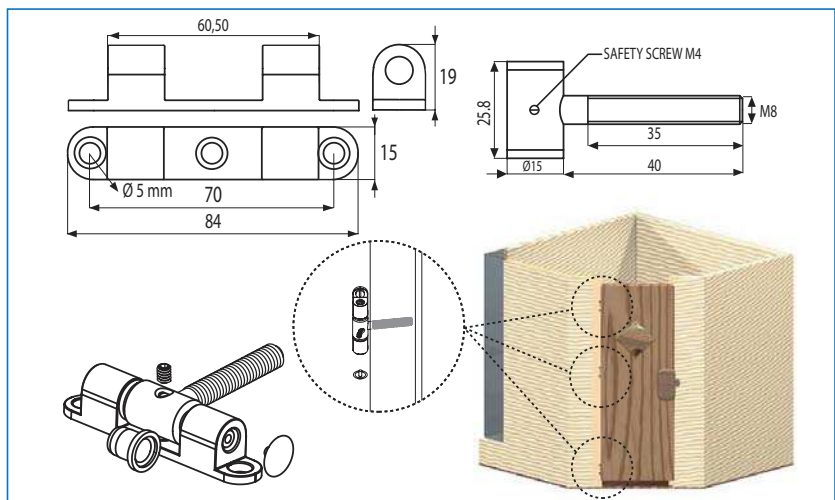
2 plastic cover caps.

1 safety screw M4.

Colour

Brown powder painted # 15.25.070

(other colours on request)



SAUNA HINGE F/GLASS DOORS - CRANKED

Model „SUOMI“

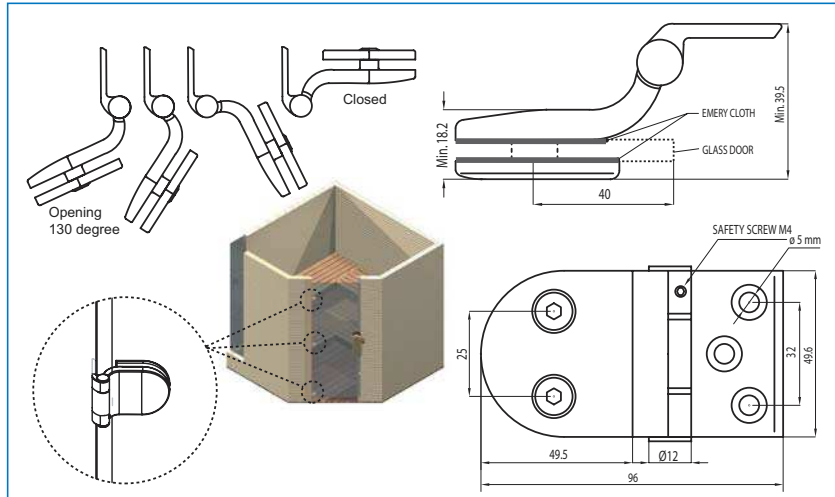
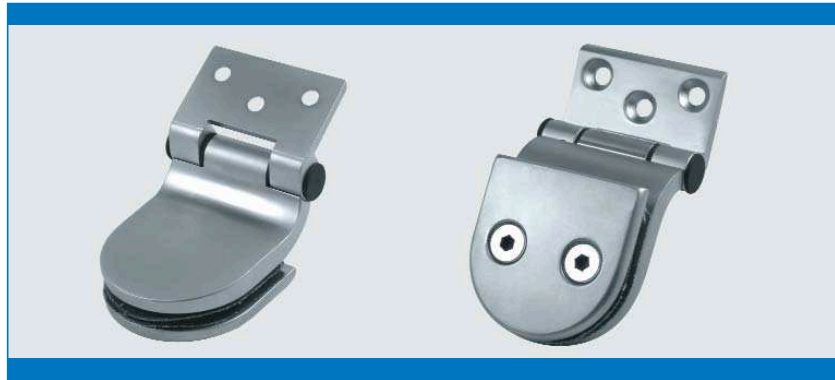
Opening: 130 degrees.
Load capacity: 20 kg per hinge.
Glass thickness: 6-8 mm.
Max glass width: 1000 mm.
2 bore holes \varnothing 12 mm for extra safety.
40 mm distance from centre of bore hole to edge of glass door.

One hinge consists of

1 zamak mounting plate 25 x 50 mm.
w/3 CSK screw holes \varnothing 5 mm.
c/c 32mm.
1 zamak hinge body 49,5 x 49,5 mm.
1 stainless steel connecting pin.
2 plastic bushings.
1 safety screw M4.
2 stainless steel tightening screws
M8 x 20 mm. c/c 25 mm.

Item No.

Brown powder painted # 15.25.060
Chrome plated # 15.25.061
Aluminium finish # 15.25.062
Satin nickel plated # 15.25.063
White powder painted # 15.25.064



SAUNA DOOR CATCH

Model „UKRAINE“

Size
85 x 41 mm

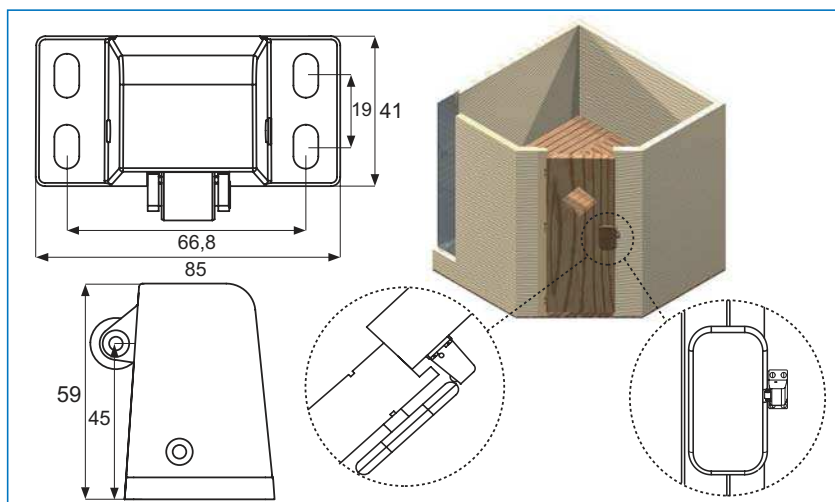
Material
Zamak house & stainless steel spring

Pulling power
13 - 15 kg.

Colour
Brown powder painted
(other colours on request)

Item No.

Brown powder painted # 15.25.020
Chrome plated # 15.25.021
Aluminium finish # 15.25.022
Satin nickel plated # 15.25.023
White powder painted # 15.25.024



SAUNA DOOR CATCH ROLLER W/STRENGHT ADJUSTMENT FUNCTION



Model „DANIA“

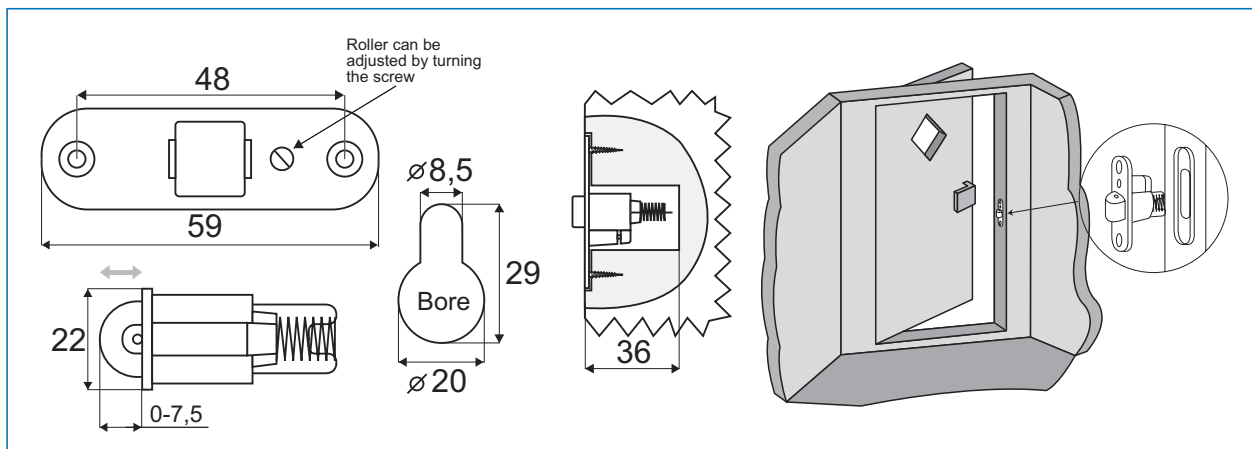
Application
For sauna doors

Mounting
Inset hole 29 x 36 mm c.c. 48 mm

Material
Zamak housing & plastic roller

Function
By turning in the screw the depth of the roller can be adjusted from 0 - 7,5 mm

Item No.
Brown # 15.25.031
Chrome plated # 15.25.030



MAGNET SCREW WITH 14 MM HEX HEAD

MAGNET SCREW WITH 14 MM HEX HEAD

Size M6 x 22 mm
Material Steel
Finish Nickel plated
Pulling power 9,5 kg
Item No. #15.25.010

CATCH PLATE:

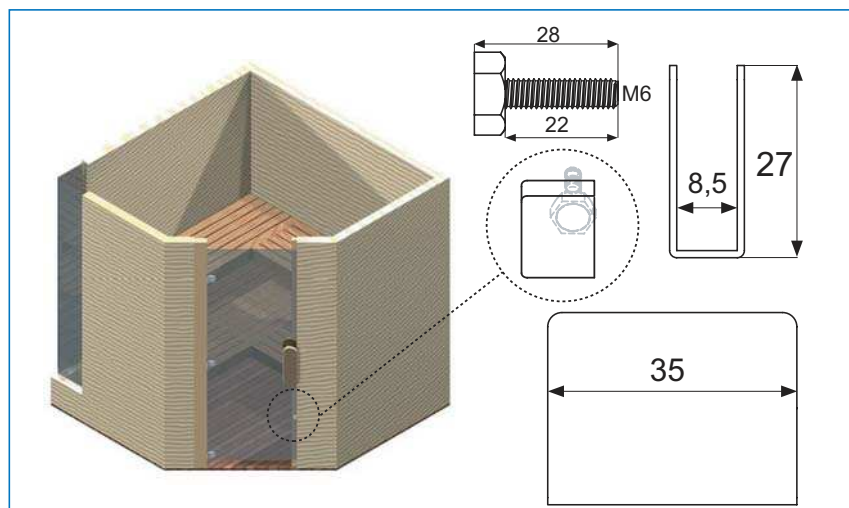
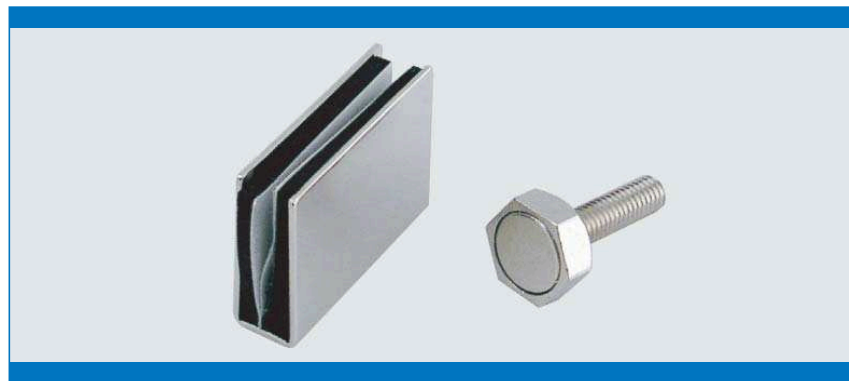
Size 35 x 27 mm.
Material Steel

Finish

W/1 mm cushion for 8 mm glass thickness:
Aluminium look # 15.25.013
Nickel plated # 15.25.015
Chrome plated # 15.25.017

Finish

W/2 mm cushion for 6 mm glass thickness:
Aluminium look # 15.25.014
Nickel plated # 15.25.016
Chrome plated # 15.25.018



Application

Suitable for glass door/shower doors
 Drilling/cutting required
 W/angle adjustment function
 W/25° return function (self-centering)

Opening: 90°

Max glass width: 800 mm

Load capacity: 18 kg per hinge

Glass thickness: 6-10 mm

Material

Brass

1 hinge consists of

- 1 hinge 90 x 55 mm
- 1 mounting plate 4 x 90 x 50 mm
- 2 hex screws 4 mm
- 1 L-shaped 4 mm hex key
- 2 transparent cushions 1 mm thickness
- 2 screws w/2,5 mm hex
- 1 L-shaped hex key 2,5 mm
- 4 wall plugs
- 4 wall screws
- 1 drilling/cutting template

Finish

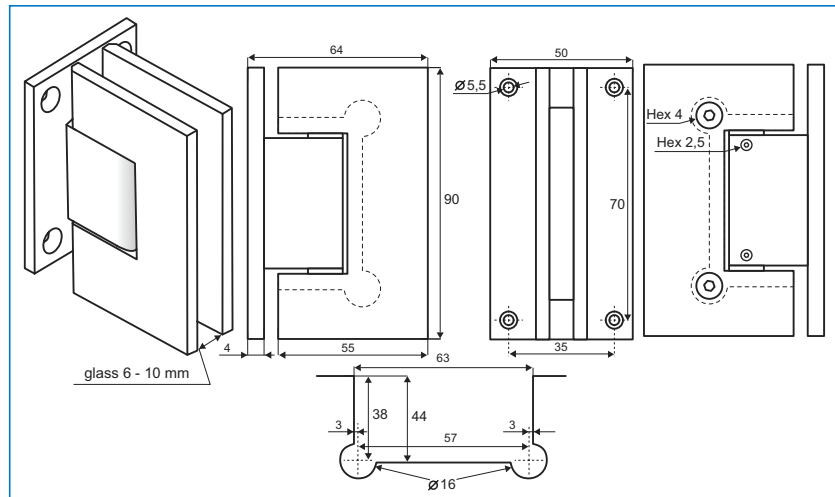
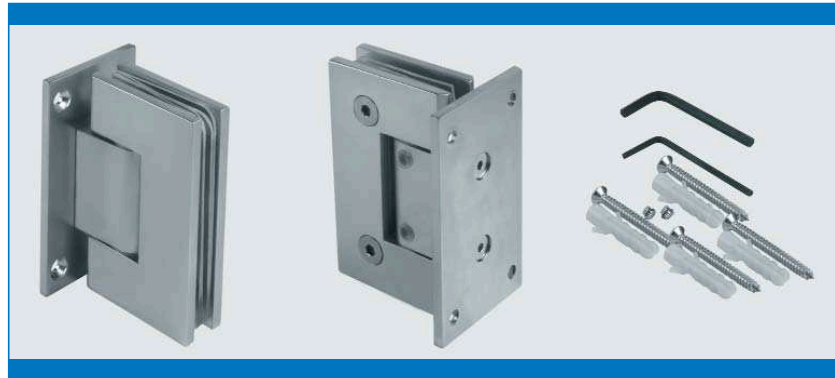
SS-look # 15.24.000

Chrome plated # 15.24.002

Alu-finish # 15.24.001

Packing

20 pcs per carton



SHOWER DOOR HINGE „TEX“ W/OFF CENTRE MOUNTING PLATE

Application

Suitable for glass door/shower doors
 Drilling/cutting required
 W/angle adjustment function
 W/25° return function (self-centering)

Opening: 90°

Max glass width: 800 mm

Load capacity: 18 kg per hinge

Glass thickness: 6-10 mm

Material

Brass

1 hinge consists of

- 1 hinge 90 x 55 mm
- 1 mounting plate 4 x 90 x 50 mm
- 2 hex screws 4 mm
- 1 L-shaped 4 mm hex key
- 2 transparent cushions 1 mm thickness
- 2 transparent cushions 1,5 mm thickness
- 2 screws w/2,5 mm hex
- 1 L-shaped hex key 2,5 mm
- 3 wall plugs
- 3 wall screws
- 1 drilling/cutting template

Finish

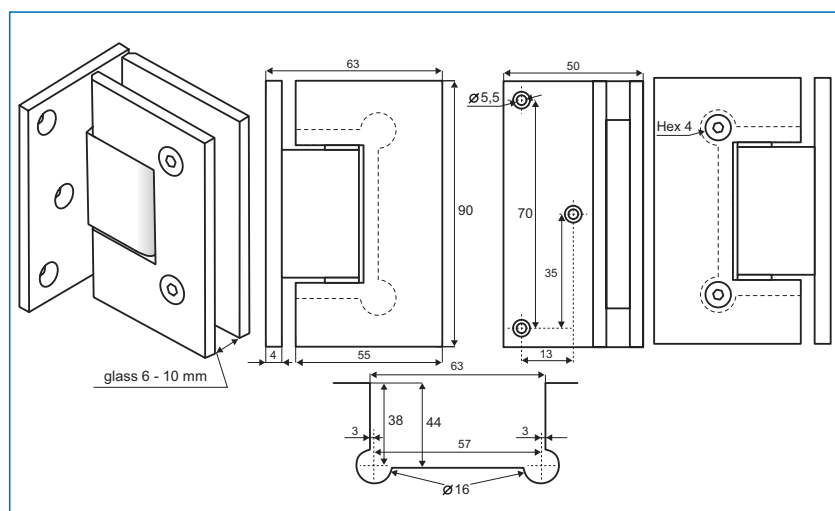
SS-look # 15.24.010

Alu-finish # 15.24.011

Chrome plated # 15.24.012

Packing

20 pcs per carton



SHOWER DOOR HINGE „TEX“

GLASS TO GLASS 180°

Application

Suitable for glass door/shower doors
 Drilling/cutting required
 W/angle adjustment function
 W/25° return function (self-centering)
Opening: 180°
Max glass width: 800 mm
Load capacity: 18 kg per hinge
Glass thickness: 6 - 10 mm

Material

Brass

1 hinge consists of

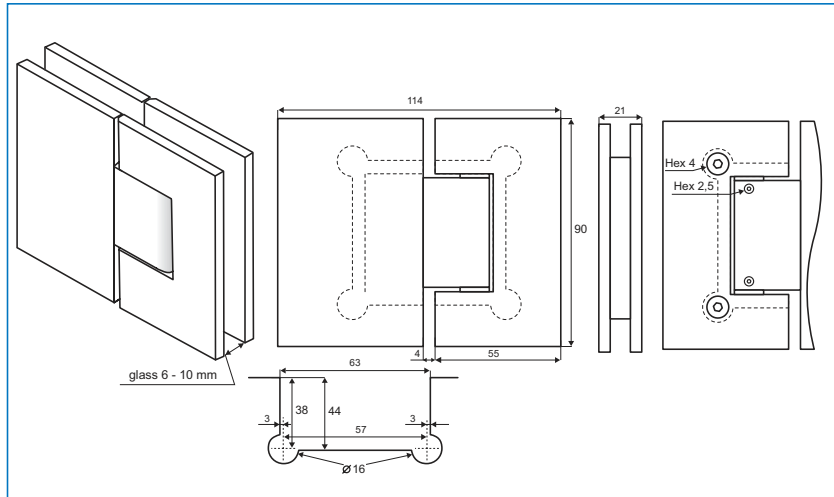
- 1 hinge 90 x 55 mm
- 1 glass wall fixing plate 90 x 55 mm
- 4 hex screws 4 mm
- 1 L-shaped 4 mm hex key
- 4 transparent cushions 1 mm thickness
- 4 transparent cushions 1,5 mm thickness
- 2 screws w/2,5 mm hex
- 1 L-shaped hex key 2,5 mm
- 1 drilling/cutting template

Finish

- SS-look # 15.24.005
- Alu-finish # 15.24.006
- Chrome plated # 15.24.007

Packing

10 pcs per carton



SHOWER DOOR HINGE „CPH“

Application

Suitable for glass door/shower doors
 Drilling/cutting required
 W/angle adjustment function
 W/25° return function (self-centering)

Opening: 90°

Max glass width: 800 mm

Load capacity: 18 kg per hinge

Glass thickness: 6-10 mm

Material

Brass

1 hinge consists of

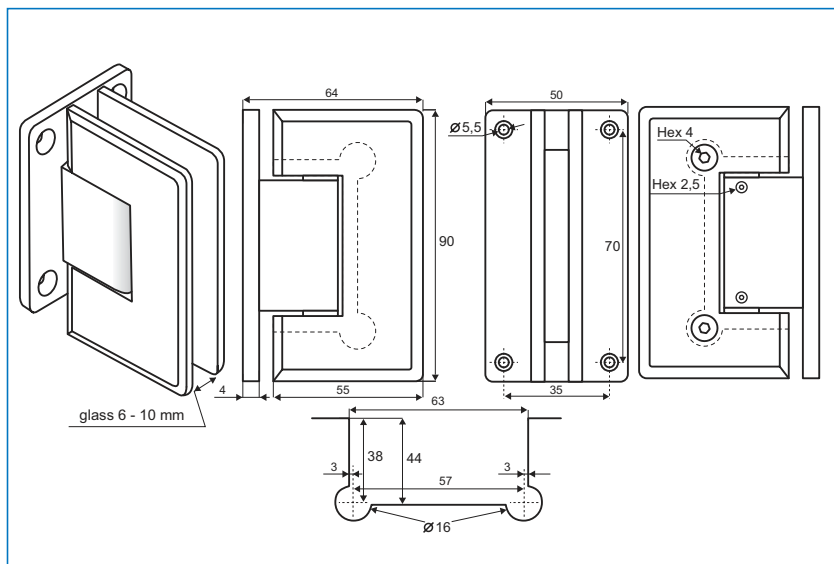
- 1 hinge 90 x 55 mm
- 1 mounting plate 4 x 90 x 50 mm
- 2 hex screws 4 mm
- 1 L-shaped 4 mm hex key
- 2 transparent cushions 1 mm thickness
- 4 transparent cushions 1,5 mm thickness
- 2 screws w/2,5 mm hex
- 1 L-shaped hex key 2,5 mm
- 4 wall plugs & 4 wall screws
- 1 drilling/cutting template

Finish

- SS-look # 15.23.811
- Chrome plated # 15.23.810
- Alu-finish # 15.23.812

Packing

20 pcs per carton



SHOWER DOOR HINGE „CPH“ W/OFF CENTRE MOUNTING PLATE

Application

Suitable for glass door/shower doors
Drilling/cutting required
W/angle adjustment function
W/25° return function (self-centering)

Opening: 90°

Max glass width: 800 mm

Load capacity: 18 kg per hinge

Glass thickness: 6-10 mm

Material

Brass

1 hinge consists of

- 1 hinge 90 x 55 mm
- 1 mounting plate 4 x 90 x 50 mm
- 2 hex screws 4 mm
- 1 L-shaped 4 mm hex key
- 2 transparent cushions 1 mm thickness
- 4 transparent cushions 1,5 mm thickness
- 2 screws w/2,5 mm hex
- 1 L-shaped hex key 2,5 mm
- 3 wall plugs & 3 wall screws
- 1 drilling/cutting template

Finish

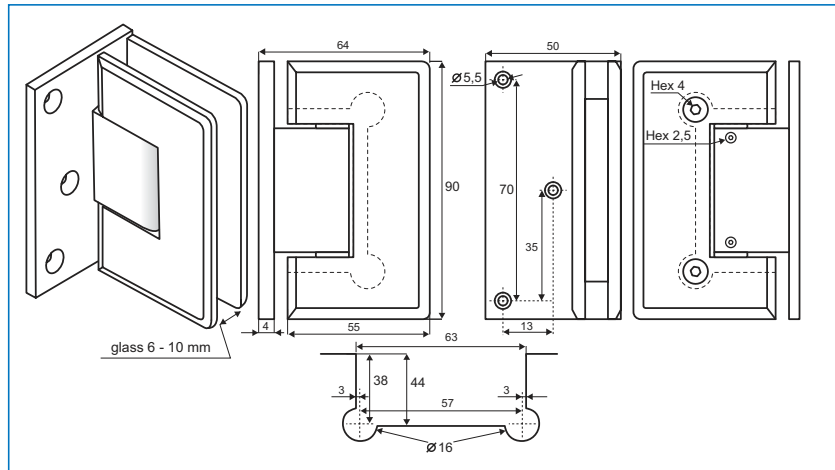
SS-look # 15.23.815

Chrome plated # 15.23.814

Alu-finish # 15.23.816

Packing

20 pcs per carton



SHOWER DOOR HINGE „CPH“ GLASS TO GLASS 180°

Application

Suitable for glass door/shower doors
Drilling/cutting required
W/angle adjustment function
W/25° return function (self-centering)

Opening: 180°

Max glass width: 800 mm

Load capacity: 18 kg per hinge

Glass thickness: 6-10 mm

Material

Brass

1 hinge consists of

- 1 hinge 90 x 55 mm
- 1 glass wall fixing plate 90 x 55 mm
- 4 hex screws 4 mm
- 1 L-shaped 4 mm hex key
- 2 transparent cushions 1 mm thickness
- 4 transparent cushions 1,5 mm thickness
- 2 screws w/2,5 mm hex
- 1 L-shaped hex key 2,5 mm
- 1 drilling/cutting template

Finish

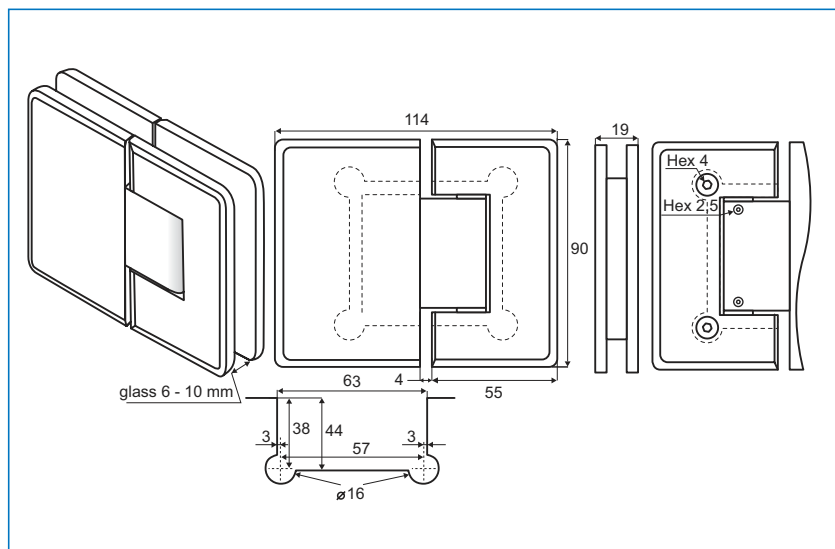
SS-look # 15.23.820

Chrome plated # 15.23.818

Alu-finish # 15.23.819

Packing

10 pcs per carton



SHOWER DOOR HINGE „ZUG“ W/OFF CENTRE MOUNTING PLATE



Application

Suitable for glass door/shower doors
Drilling/cutting required
W/angle adjustment function
W/25° return function (self-centering)

Opening: 90°

Max glass width: 800 mm

Load capacity: 18 kg per hinge

Glass thickness: 6-10 mm

Material

Brass

1 hinge consists of

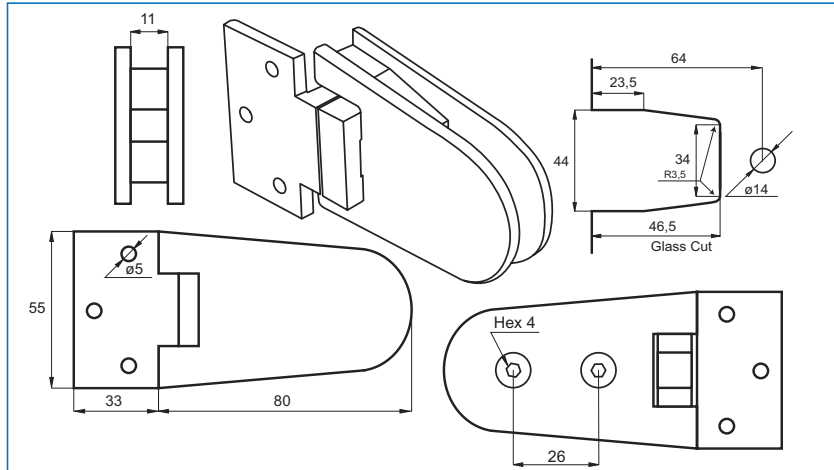
- 1 hinge 55 x 80 mm
- 1 mounting plate 33 x 55 mm
- 2 fixing screws 4 mm hex
- 1 L-shaped 4 mm hex key
- 2 transparent cushions 1 mm thickness
- 2 transparent cushions 1,5 mm thickness
- 1 angle adjustment screws w/3 mm hex
- 1 L-shaped hex key 3 mm
- 3 wall plugs & 3 wall screws
- 1 drilling/cutting template

Finish

Chrome plated # 15.23.010

Packing

20 pcs per carton



SHOWER DOOR HINGE „LINZ“ W/OFF CENTRE MOUNTING PLATE

Application

Suitable for glass door/shower doors
Drilling/cutting required
W/angle adjustment function
W/25° return function (self-centering)

Opening: 90°

Max glass width: 800 mm

Load capacity: 18 kg per hinge

Glass thickness: 6-10 mm

Material

Brass

1 hinge consists of

- 1 hinge 55 x 112 mm
- 1 mounting plate 33 x 55 mm
- 2 fixing screws 4 mm hex
- 1 L-shaped 4 mm hex key
- 2 transparent cushions 1 mm thickness
- 2 transparent cushions 1,5 mm thickness
- 1 angle adjustment screws w/3 mm hex
- 1 L-shaped hex key 3 mm
- 3 wall plugs & 3 wall screws
- 1 drilling/cutting template

Finish

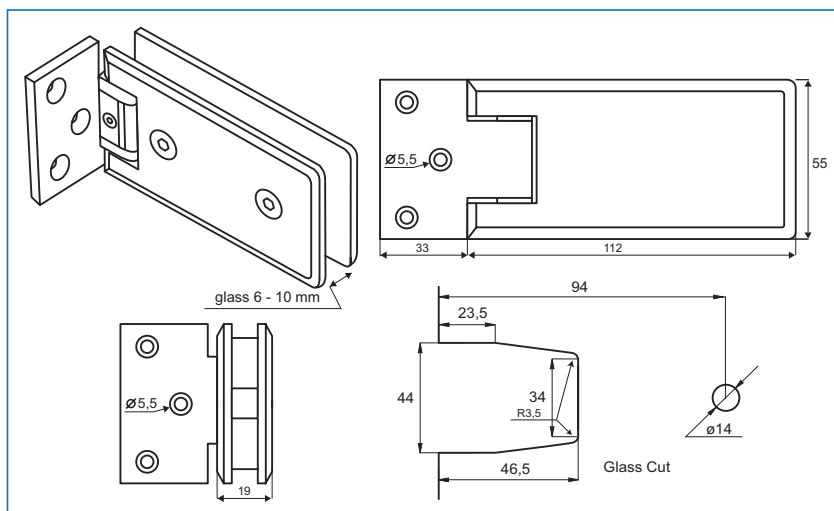
SS-look # 15.23.845

Chrome plated # 15.23.844

Alu-finish # 15.23.846

Packing

20 pcs per carton



SHOWER DOOR HINGE „LINZ“ W/CENTRE MOUNTING PLATE

Application

Suitable for glass door/shower doors
Drilling/cutting required
W/angle adjustment function
W/25° return function (self-centering)

Opening: 90°

Max glass width: 800 mm

Load capacity: 18 kg per hinge

Glass thickness: 6-10 mm

Material

Brass

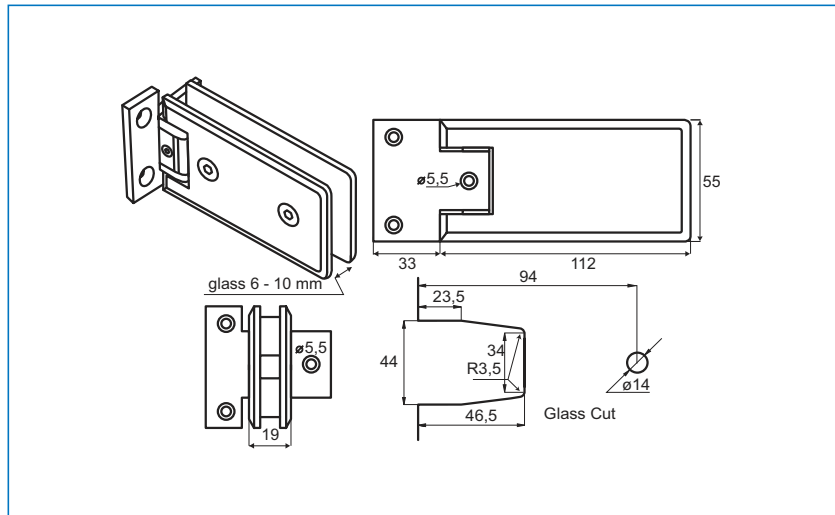
1 hinge consists of

- 1 hinge 55 x 112 mm
- 1 mounting plate 61 x 55 mm
- 2 fixing screws 4 mm hex
- 1 L-shaped 4 mm hex key
- 2 transparent cushions 1 mm thickness
- 2 transparent cushions 1,5 mm thickness
- 1 angle adjustment screws w/3 mm hex
- 1 L-shaped hex key 3 mm
- 3 wall plugs & 3 wall screws
- 1 drilling/cutting template

Finish

- SS-look # 15.23.841
- Chrome plated # 15.23.840
- Alu-finish # 15.23.842

Packing 20 pcs per carton



SHOWER PIVOT HINGE GLASS/GLASS „LODZ“

Application

Suitable for glass door/shower doors
Drilling/cutting required
W/15° return function (self-centering)

Features

Opening: 180°

Max glass width: 800 mm

Load capacity: 20 kg per hinge

Glass thickness: 8 - 10 mm

Material

Brass

1 hinge consists of

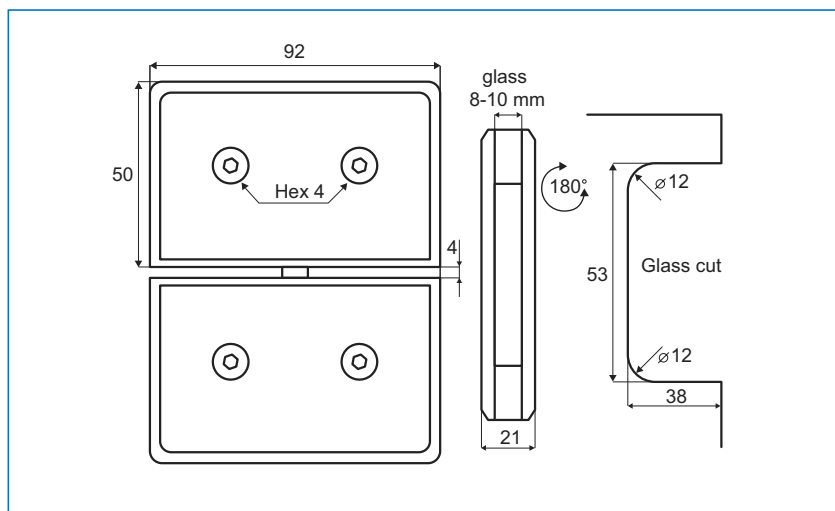
- 1 hinge 50 x 92 x 21 mm (H/W/D)
- 4 hex screws 4 mm
- 1 L-shaped 4 mm hex key
- 4 transparent cushions 1 mm thickness
- 4 transparent cushions 1,5 mm thickness
- 1 drilling/cutting template

Finish

- SS-look # 15.23.905
- Alu-finish # 15.23.906
- Chrome plated # 15.23.907

Packing

10 pcs per carton



SHOWER PIVOT HINGE FLOOR/GLASS „LODZ“

Application

Suitable for glass door/shower doors
Top or bottom mounting,
drilling/cutting required
W/15° return function (self-centering)

Opening: 180°

Max glass width: 800 mm

Load capacity: 20 kg per hinge

Glass thickness: 8-10 mm

Material

Brass

1 hinge consists of

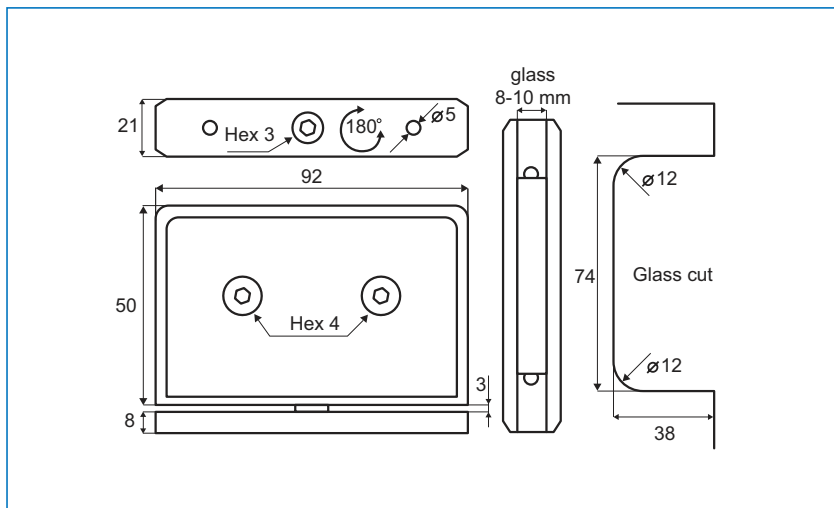
- 1 hinge 50 x 92 x 21 mm (H/W/D)
- 2 hex screws 4 mm
- 1 L-shaped 4 mm hex key
- 2 transparent cushions 1 mm thickness
- 2 transparent cushions 1,5 mm thickness
- 2 wall plugs
- 2 wall screws
- 1 drilling/cutting template

Finish

- SS-look # 15.23.900
- Alu-finish # 15.23.901
- Chrome plated # 15.23.902

Packing

10 pcs per carton



GLASS CLAMP GLASS/GLASS 180° W/SQUARE CORNERS „BERN“

Application

Suitable for shower glass walls
Drilling required

Features

Glass thickness: 8 - 10 mm

Mounting

Glass \varnothing 12 mm drilling

Material

Brass

1 clamp consists of

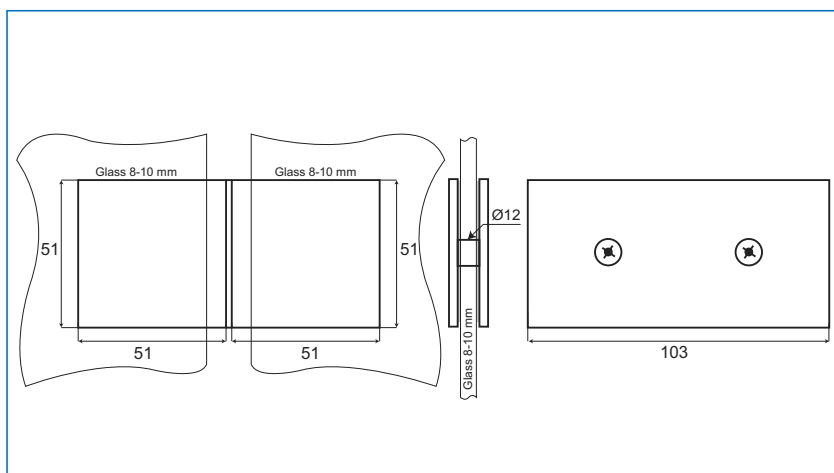
- 1 clamp 103 x 51 x 17 mm (H/W/D)
- 2 fixing PZD screws
- 4 transparent cushions 1 mm thickness
- 2 transparent tubes \varnothing 12 x 8 mm

Finish

- Chrome plated # 15.23.695
- SS-look # 15.23.696
- Alu-finish # 15.23.697

Packing

50 pcs per carton



GLASS CLAMP GLASS/GLASS 90° W/SQUARE CORNERS „BERN“

Application

Suitable for shower glass walls
Drilling required

Features

Glass thickness: 8 - 10 mm

Mounting

Glass \varnothing 12 mm drilling

Material

Brass

1 clamp consists of

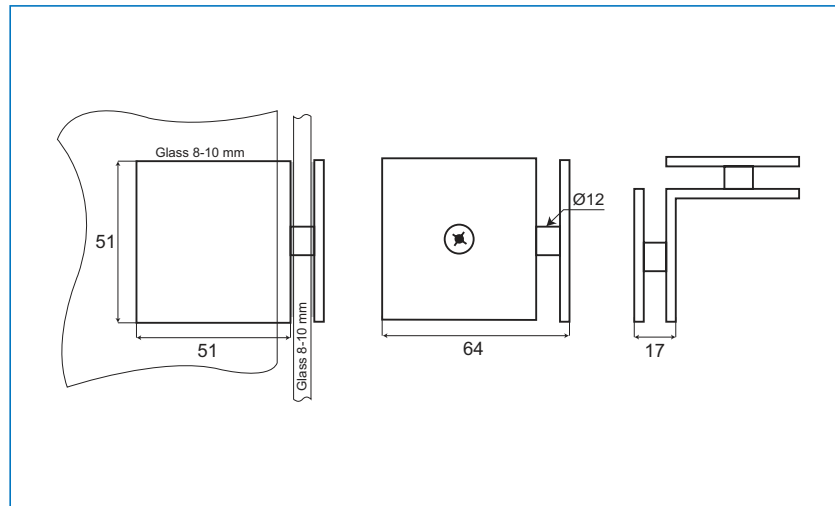
1 clamp 51 x 51 x 17 mm (H/W/D)
2 fixing PZD screws
4 transparent cushions 1 mm thickness
2 transparent tubes \varnothing 12 x 8 mm

Finish

Chrome plated # 15.23.690
SS-look # 15.23.691
Alu-finish # 15.23.692

Packing

20 pcs per carton



GLASS CLAMP WALL/GLASS 180° W/SQUARE CORNERS „BERN“

Application

Suitable for shower glass walls
Drilling required

Features

Glass thickness 8 - 10 mm

Mounting

Wall 2 x \varnothing 5 mm CSK screw holes
Glass \varnothing 12 mm drilling

Material

Brass

1 clamp consists of

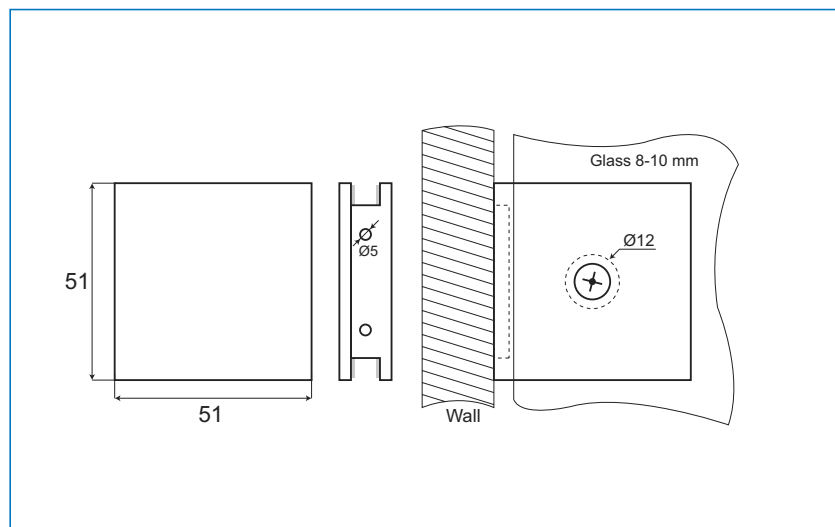
1 clamp 51 x 51 x 17 mm (H/W/D)
1 fixing PZD screws
2 transparent cushions 1 mm thickness
1 transparent tube \varnothing 12 x 8 mm
2 wall plugs
2 wall screws

Finish

Chrome plated # 15.23.706
SS-look # 15.23.705
Alu-finish # 15.23.704

Packing

60 pcs per carton



GLASS CLAMP WALL/GLASS 90° W/SQUARE CORNERS „BERN“

Application

Suitable for shower glass walls
Drilling required

Features

Glass thickness 8 - 10 mm

Mounting

Wall: 1 x $\varnothing 5$ mm CSK screw holes
Glass: $\varnothing 12$ mm drilling

Material

Brass

1 clamp consists of

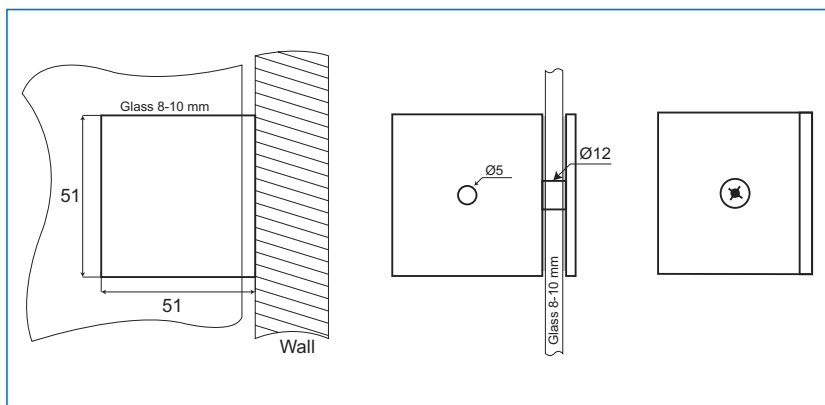
- 1 clamp 51 x 51 x 17 mm (H/W/D)
- 1 fixing PZD screws
- 2 transparent cushions 1 mm thickness
- 1 transparent tube $\varnothing 12$ x 8 mm
- 1 wall plug
- 1 wall screw

Finish

- Chrome plated # 15.23.700
- SS-look # 15.23.701
- Alu-finish # 15.23.702

Packing

20 pcs per carton



GLASS CLAMP WALL/GLASS 90° W/ROUNDED CORNERS „HAM“

Application

Suitable for shower glass walls
Drilling required

Features

Glass thickness 8-10 mm
90° angle

Mounting

Wall: 1 x $\varnothing 5$ mm CSK screw holes
Glass: $\varnothing 12$ mm drilling

Material

Brass

1 clamp consists of

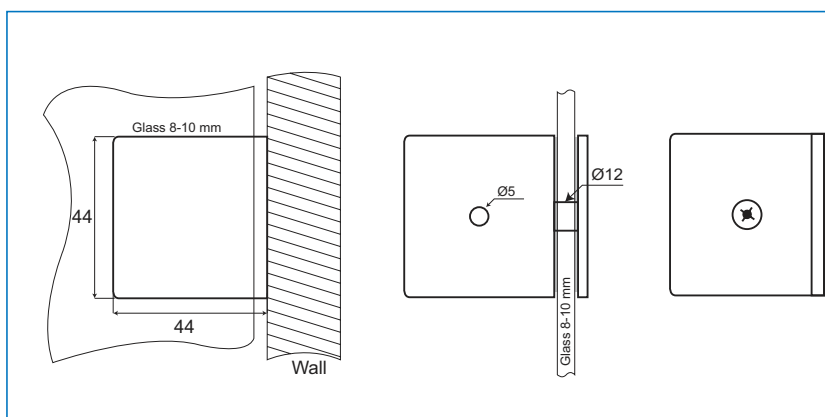
- 1 clamp 44 x 44 x 18 (H/W/D)
- 1 fixing PZD screws
- 4 transparent cushions 1 mm thickness
- 1 wall plug
- 1 wall screw
- 1 transparent tube $\varnothing 12$ X 8 mm

Finish

- Chrome plated # 15.23.700

Packing

40 pcs per carton



GLASS CLAMP WALL/GLASS 180° W/CHAMFERED EDGES „LUND“

Application

Suitable for shower glass walls
Drilling required

Features

Glass thickness 8 - 10 mm

Mounting

Wall: 1 x $\varnothing 5$ mm CSK screw holes
Glass: $\varnothing 12$ mm drilling

Material

Brass

1 clamp consists of

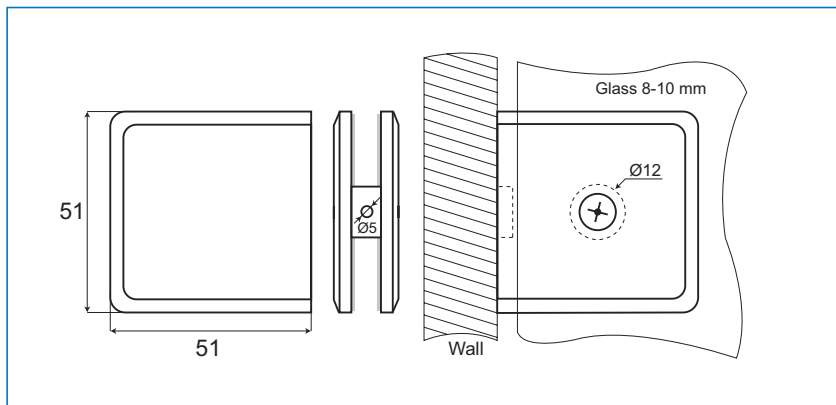
1 clamp 51 x 51 x 17 mm (H/W/D)
1 fixing PZD screws
2 transparent cushions 1 mm thickness
1 transparent tube $\varnothing 12$ x 8 mm
1 wall plug
1 wall screw

Finish

Chrome plated # 15.23.707
SS-look # 15.23.708
Alu-finish # 15.23.709

Packing

60 pcs per carton



GLASS CLAMP WALL/GLASS 90° W/CHAMFERED EDGES „LUND“

Application

Suitable for shower glass walls
Drilling required

Features

Glass thickness 8 - 10 mm

Mounting

Wall: 1 x $\varnothing 5$ mm CSK screw holes
Glass: $\varnothing 12$ mm drilling

Material

Brass

1 clamp consists of

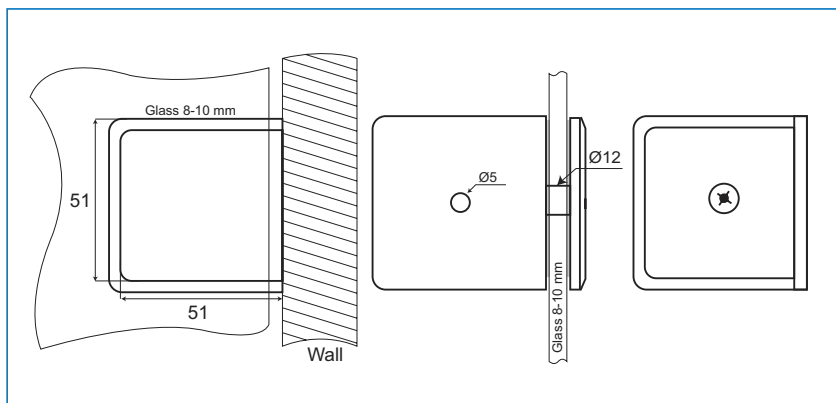
1 clamp 51 x 51 x 17 mm (H/W/D)
1 fixing PZD screws
2 transparent cushions 1 mm thickness
1 transparent tube $\varnothing 12$ x 8 mm
1 wall plug
1 wall screw

Finish

Chrome plated # 15.23.710
SS-look # 15.23.711
Alu-finish # 15.23.712

Packing

20 pcs per carton



ALUMINIUM LIFT HINGE

Application

Suitable for shower doors
w/lift-up function

Opening 110°

Max glass size 1900 x 800 mm

Load capacity 23 kg

Glass thickness 6 mm

Material

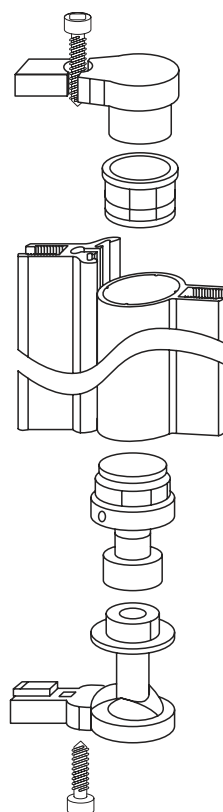
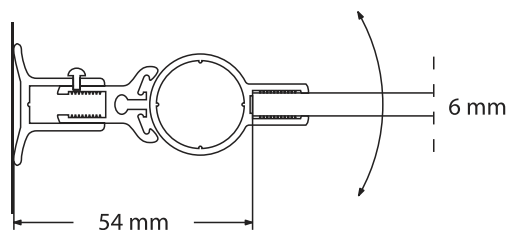
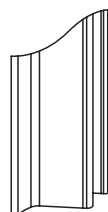
Aluminium

Models

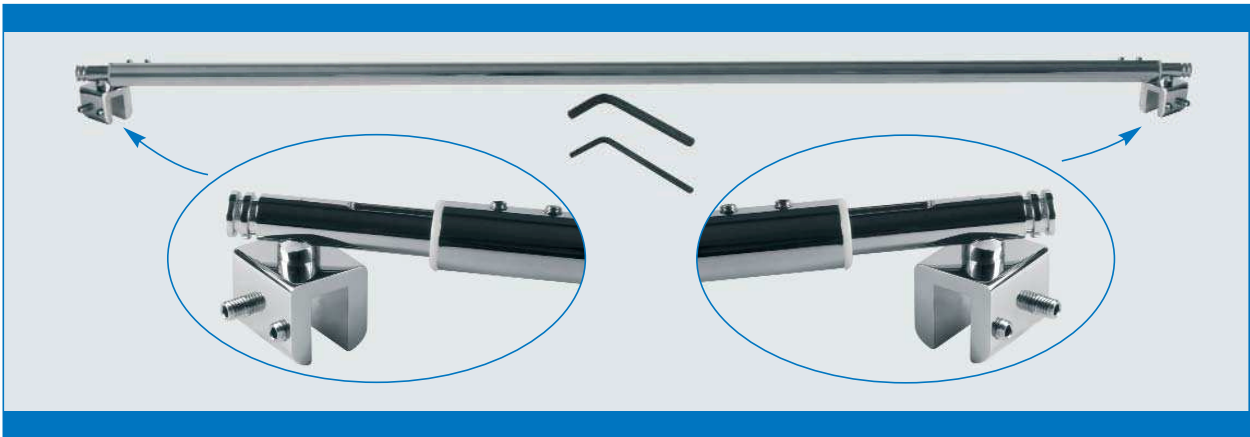
Models	Finish	Item No.
1,5 meters	anodized	# 15.23.005
1,5 meters	chrome pl.	# 15.23.006
1,5 meters	white paint.	# 15.23.007
1,9 meters	anodized	# 15.23.000
1,9 meters	chrome pl.	# 15.23.001
1,9 meters	white paint.	# 15.23.002

Packing

1 complete
assembled set per carton



SHOWER SUPPORT BAR SOLID BRASS - GLASS TO GLASS



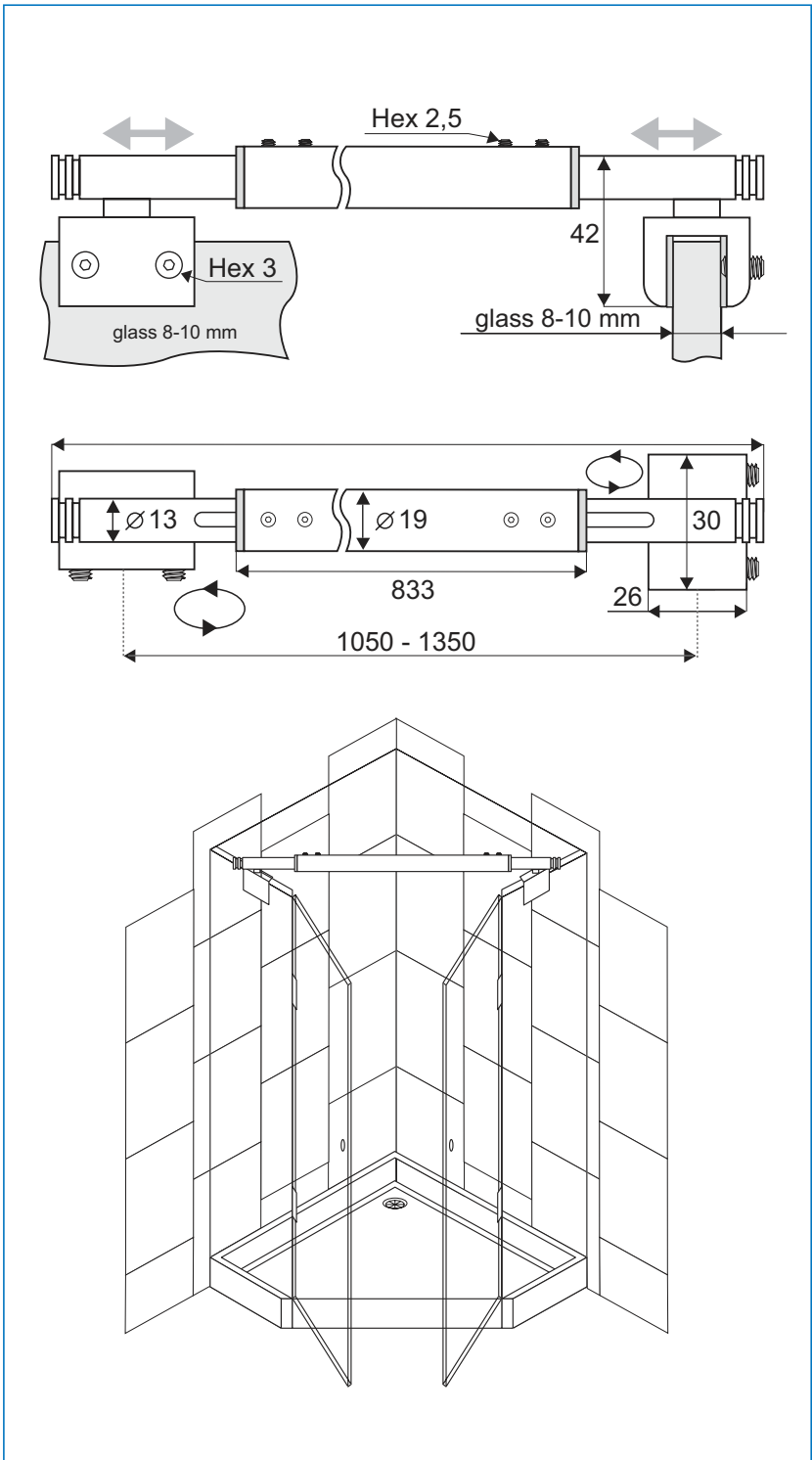
Application
 Suitable for connecting glass to wall.
 No glass drilling required.
 Extendable from 1050 - 1350 mm
 Glass thickness 8 - 10 mm

Material
 Brass

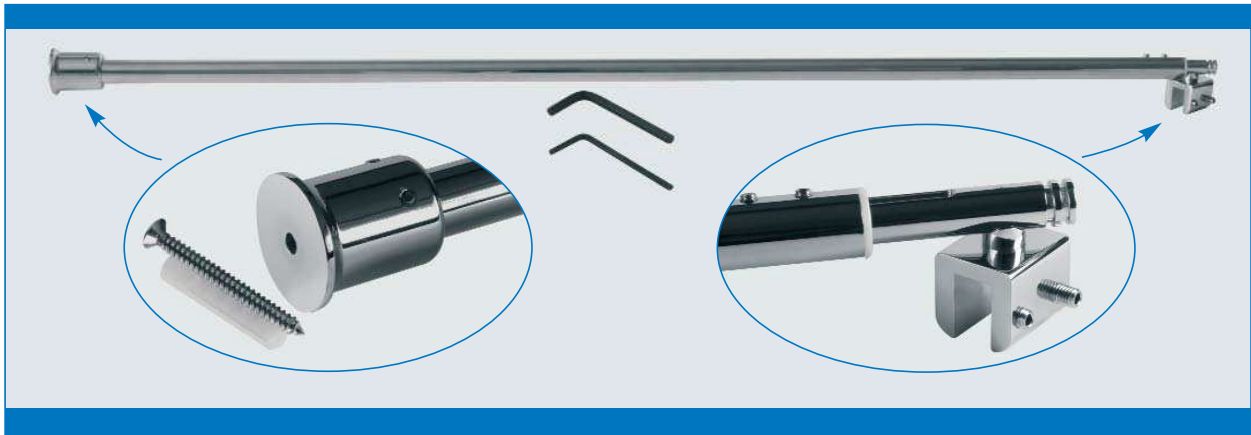
1 support bar consists of:
 1 bar $\varnothing 19 \times 1050$ to 1350 mm
 w/2 tightening screws 2,5 mm hex
 1 L-shaped hex key 2,5 mm
 2 glass mounting bracket 30 X 26 mm
 w/2 tightening screws 3 mm hex
 1 L-shaped hex key 3 mm
 4 transparent cushions 1 mm thickness

Finish
 Chrome plated # 15.24.021

Packing
 10 pcs per cartoon



SHOWER SUPPORT BAR SOLID BRASS - WALL TO GLASS



Application

Suitable for connecting glass to wall.
No glass drilling required.
Extendable from 1000 - 1150 mm.
Glass thickness 8 - 10 mm.

Material

Brass

1 support bar consists of:

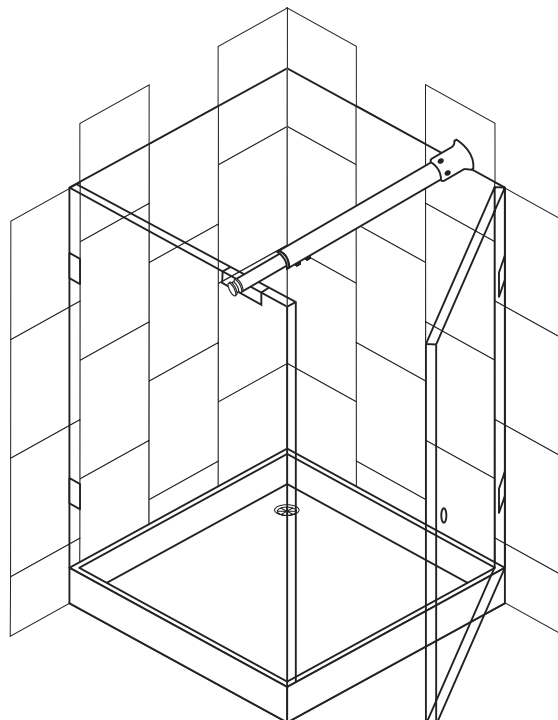
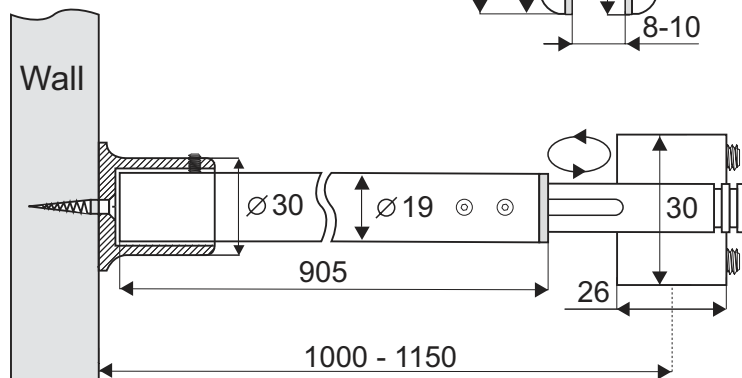
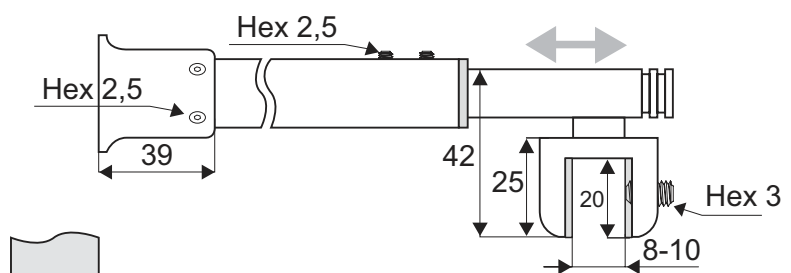
- 1 bar $\varnothing 19 \times 1000$ to 1150 mm
- w/2 tightening screws 2,5 mm hex
- 1 wall mounting rosette $\varnothing 37$ mm
- w/2 tightening screws 2,5 mm hex
- 1 L-shaped hex key 2,5 mm
- 1 wall plug
- 1 wall screw
- 1 glass mounting bracket 30 X 26 mm
- w/2 tightening screws 3 mm hex
- 1 L-shaped hex key 3 mm
- 2 transparent cushions 1 mm thickness

Finish

Chrome plated # 15.24.020

Packing

10 pcs per cartoon



BAR TO GLASS BRACKET W/OPEN BAR HOLE

Application

Connection fitting for shower bars
No drilling required
For $\varnothing 19$ mm bar
Glass thickness 8 - 10 mm

Material

Brass

Finish

Chrome plated # 15.24.103

Inclusive

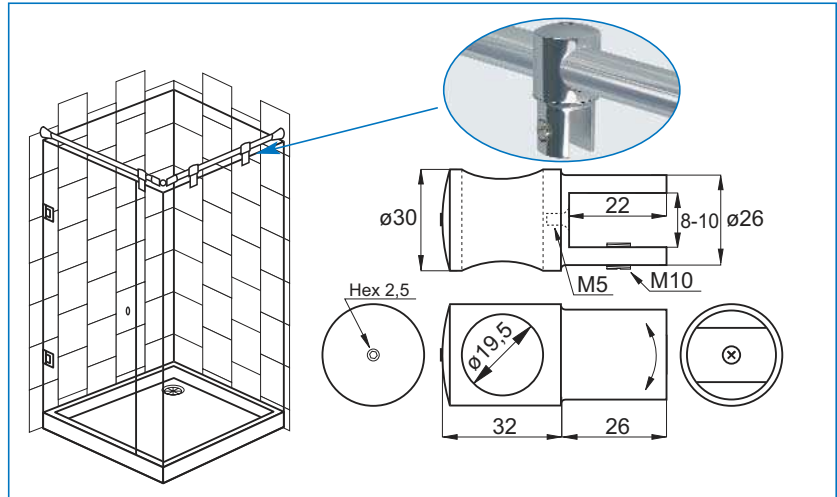
1 hex key 2,5 mm
1 transparent cushion 1 mm thickness

Packing

60 pcs per carton

Optional

Shower bar brass, CPL
 $\varnothing 19$ x 1000 mm # 15.24.120
 $\varnothing 19$ x 1300 mm # 15.24.121



BAR TO GLASS END BRACKET W/CLOSED BAR HOLE

Application

Connection fitting for shower bars
No drilling required
For $\varnothing 19$ mm bar
Glass thickness 8 - 10 mm

Material

Brass

Finish

Chrome plated # 15.24.102

Inclusive

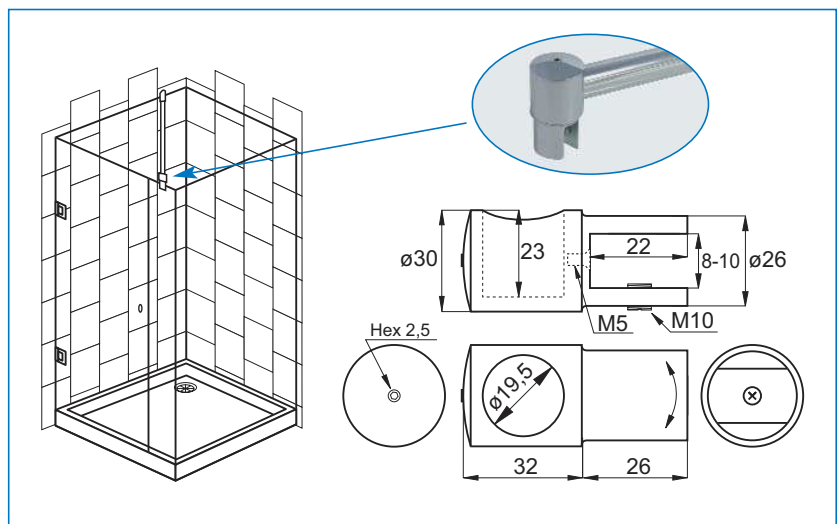
1 hex key 2,5 mm
1 transparent cushion 1 mm thickness

Packing

60 pcs per carton

Optional

Shower bar brass, CPL
 $\varnothing 19$ x 1000 mm # 15.24.120
 $\varnothing 19$ x 1300 mm # 15.24.121



BAR TO WALL BRACKET W/45° ANGLE

Application

Connection fitting for shower bars
No drilling required
For $\varnothing 19$ mm bar

Material

Brass

Finish

Chrome plated # 15.24.101

Inclusive

1 hex key 2,5 mm
1 wall plug
1 wall screw

Packing

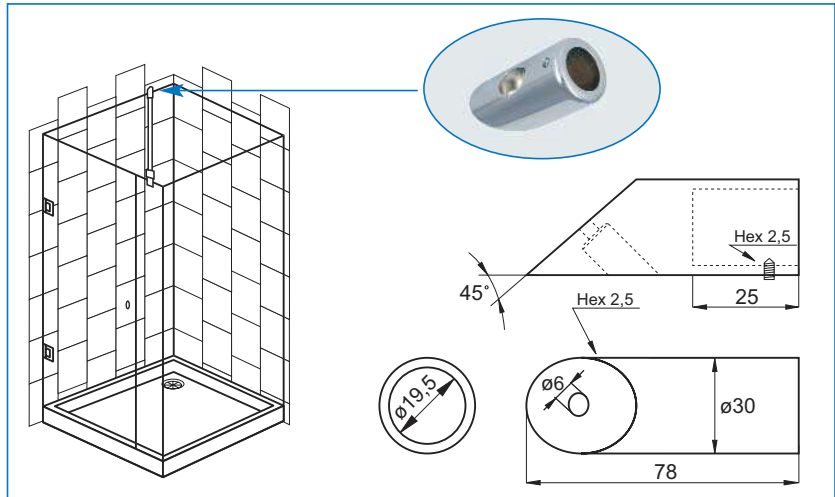
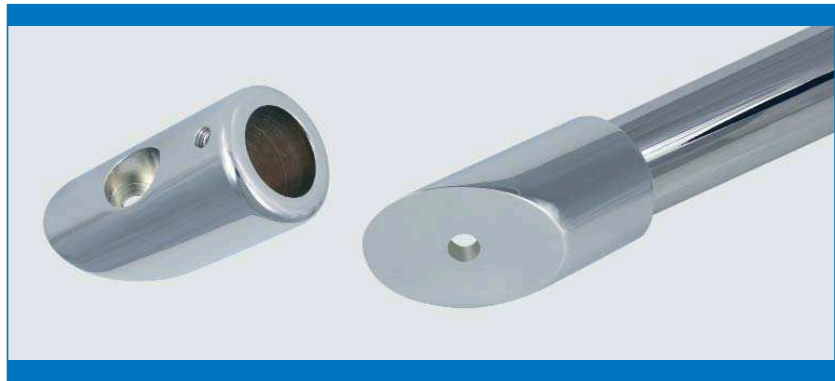
60 pcs per carton

Optional

Shower bar brass, CPL

$\varnothing 19$ x 1000 mm # 15.24.120

$\varnothing 19$ x 1300 mm # 15.24.121



BAR TO WALL BRACKET W/FLAT BACK

Application

Connection fitting for shower bars
No drilling required
For $\varnothing 19$ mm bar

Material

Brass

Finish

Chrome plated # 15.24.100

Inclusive

1 hex key 2,5 mm
1 wall plug
1 wall screw

Packing

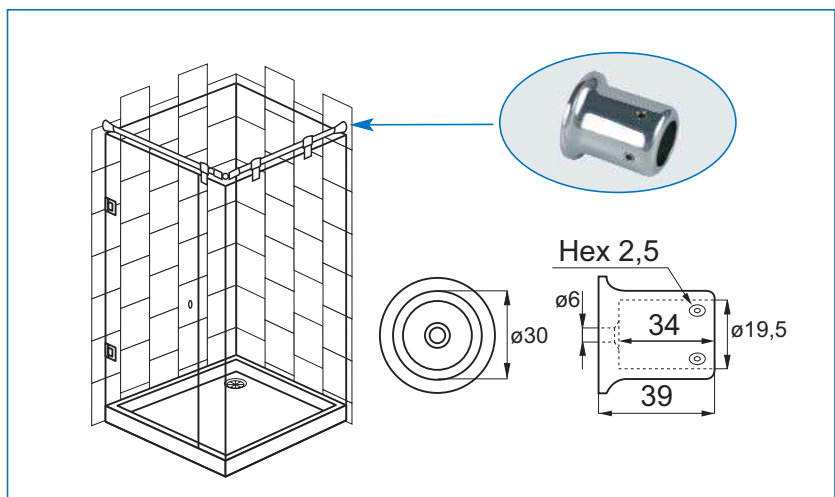
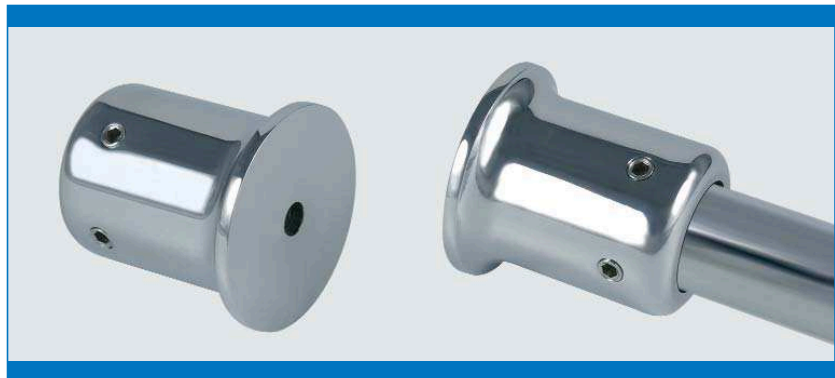
60 pcs per carton

Optional

Shower bar brass, CPL

$\varnothing 19$ x 1000 mm # 15.24.120

$\varnothing 19$ x 1300 mm # 15.24.121



BAR TO BAR BRACKET T-SHAPED F/3 BAR CONNECTION

Application

Connection fitting for shower bars
No drilling required
For $\varnothing 19$ mm bar
90 degree connection

Material

Brass

Finish

Chrome plated # 15.24.105

Inclusive

1 hex key 2,5 mm

Packing

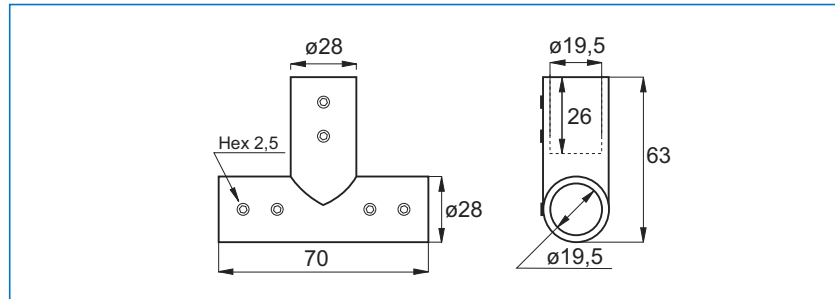
10 pcs per carton

Optional

Shower bar brass, CPL

$\varnothing 19 \times 1000$ mm # 15.24.120

$\varnothing 19 \times 1300$ mm # 15.24.121



BAR TO BAR BRACKET W/SWIVEL LINKAGE

Application

Connection fitting for shower bars
No drilling required
For $\varnothing 19$ mm bar
Adjusted to any degree

Material

Brass

Finish

Chrome plated # 15.24.104

Inclusive

1 hex key 2,5 mm

1 hex key 5 mm

Packing

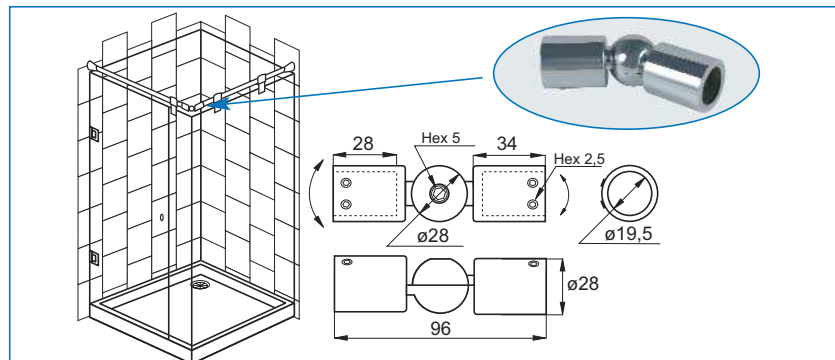
20 pcs per carton

Optional

Shower bar brass, CPL

$\varnothing 19 \times 1000$ mm # 15.24.120

$\varnothing 19 \times 1300$ mm # 15.24.121



DOOR KNOB „HAAG“

Material

Brass

Size: $\varnothing 28 \times 31$ mm

Bore hole: $\varnothing 10$ mm

Glass thickness: 6 - 12 mm

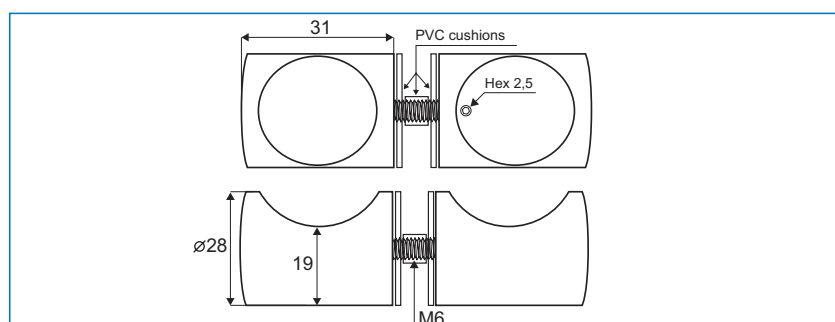
SS-look # 15.24.030

Chrome plated # 15.24.031

Alu-finish # 15.24.032

Packing

60 pairs per carton



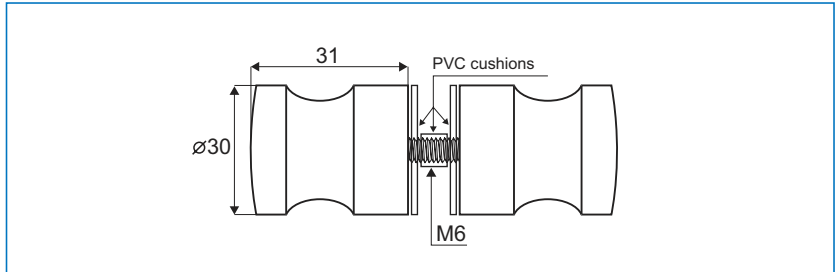
DOOR KNOB „WIEN“

Material
Brass

Size: $\varnothing 30 \times 31$ mm
Bore hole: $\varnothing 10$ mm
Glass thickness: 6 - 12 mm

SS-look # 15.24.046
Chrome plated # 15.24.045
Alu-finish # 15.24.047

Packing
60 pairs per carton



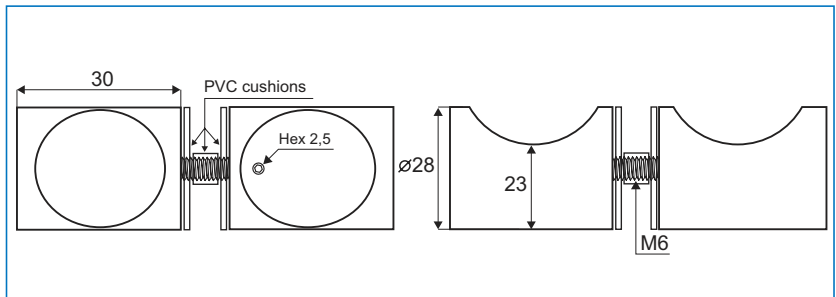
DOOR KNOB „CORK“

Material
Brass

Size: $\varnothing 28 \times 30$ mm
Bore hole: $\varnothing 10$ mm
Glass thickness: 6 - 12 mm

Chrome plated # 15.24.065

Packing
60 pairs per carton



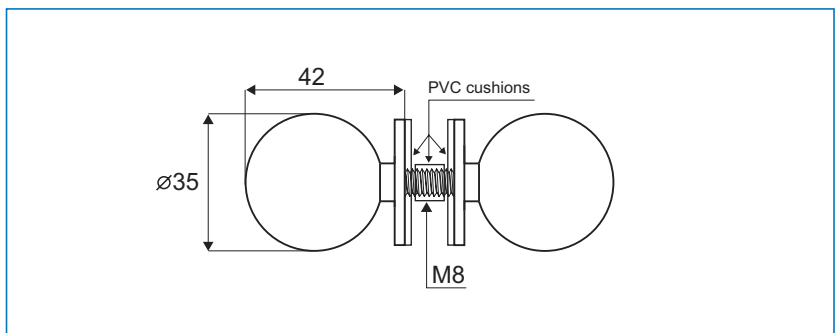
DOOR KNOB „PARIS“

Material
Brass

Size: $\varnothing 35 \times 42$ mm
Bore hole: $\varnothing 10$ mm
Glass thickness: 6 - 12 mm

SS-look # 15.24.081
Chrome plated # 15.24.080
Alu-finish # 15.24.082

Packing
30 pairs per carton



DOOR KNOB „OSLO“

Material
Brass

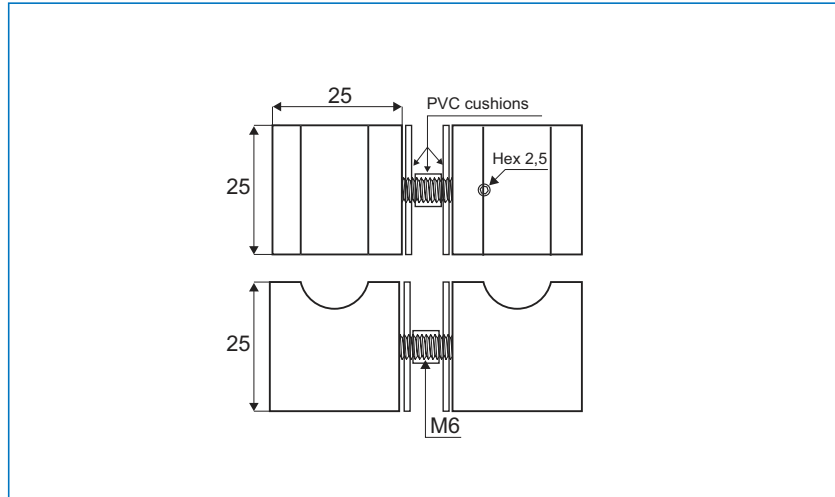
Size: 25 x 25 mm
Bore hole: \varnothing 10 mm
Glass thickness: 6 - 12 mm

SS-look # 15.24.035
Chrome plated # 15.24.036
Alu-finish # 15.24.037

Packing
60 pairs per carton



Not for sale in Germany



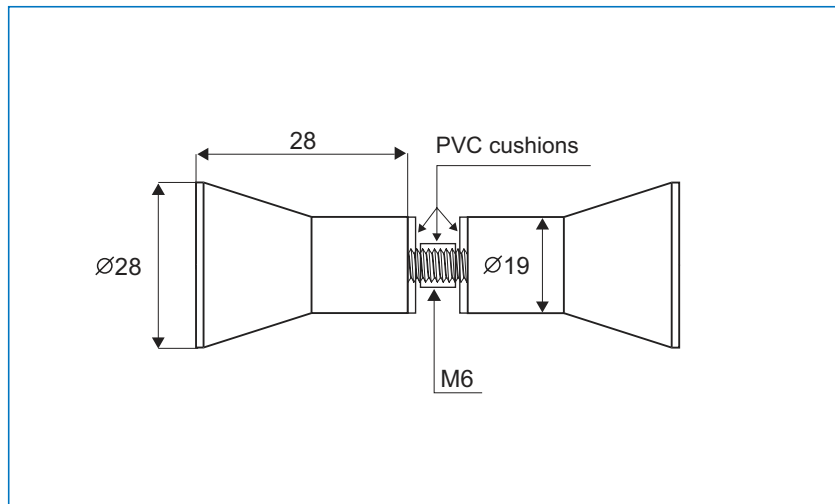
DOOR KNOB „PORTO“

Material
Brass

Size: \varnothing 28 x 28 mm
Bore hole: \varnothing 10 mm
Glass thickness: 6 - 12 mm

SS-look # 15.24.041
Chrome plated # 15.24.040
Alu-finish # 15.24.042

Packing
60 pairs per carton



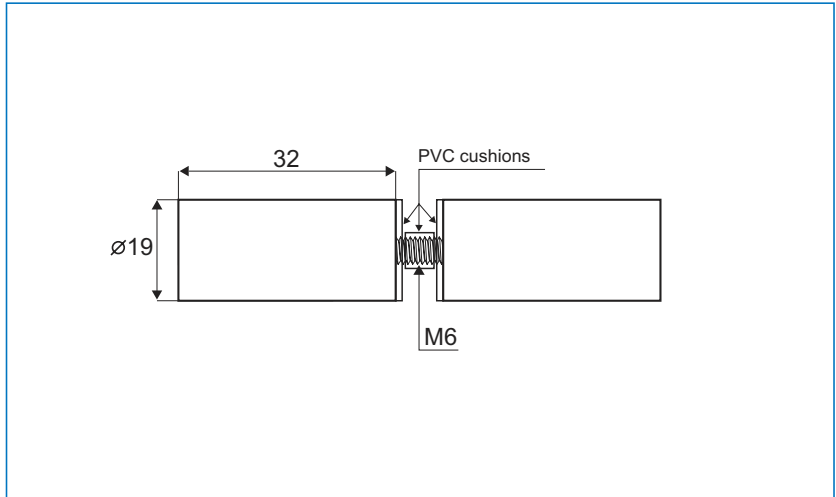
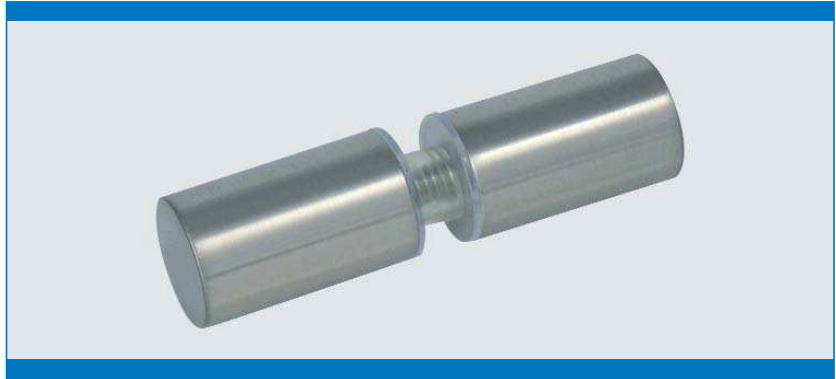
DOOR KNOB „LYON“

Material
Brass

Size: $\varnothing 19 \times 32$ mm
Bore hole: $\varnothing 10$ mm
Glass thickness: 6 - 12 mm

SS-look # 15.24.086
Chrome plated # 15.24.085
Alu-finish # 15.24.087

Packing
60 pairs per carton



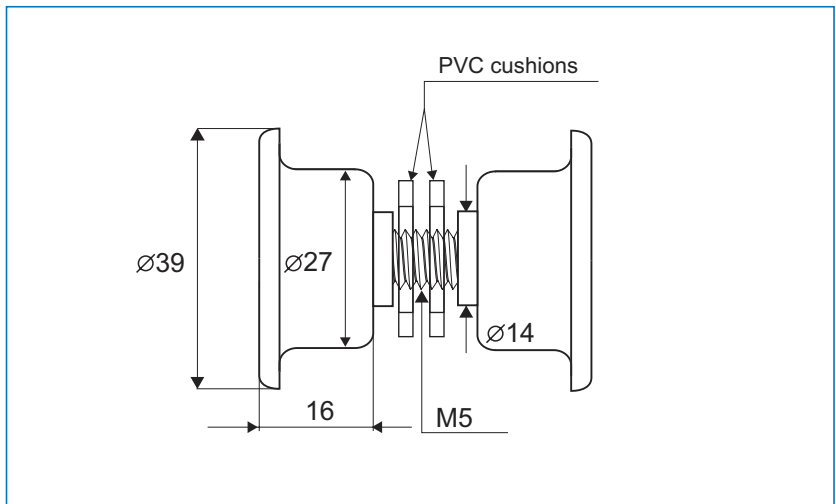
DOOR KNOB „KIEL“

Material
Brass

Size: $\varnothing 39 \times 16$ mm
Bore hole: $\varnothing 14$ mm
Glass thickness: 6 - 12 mm

Chrome plated # 15.24.090

Packing
60 pairs per carton



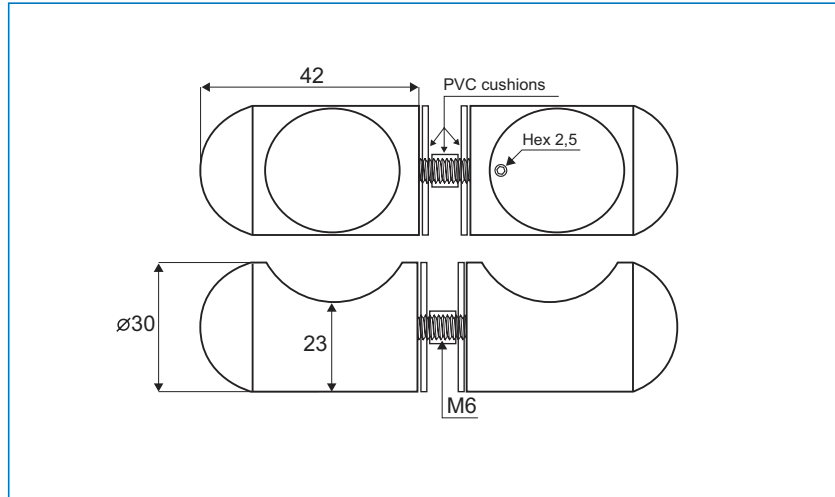
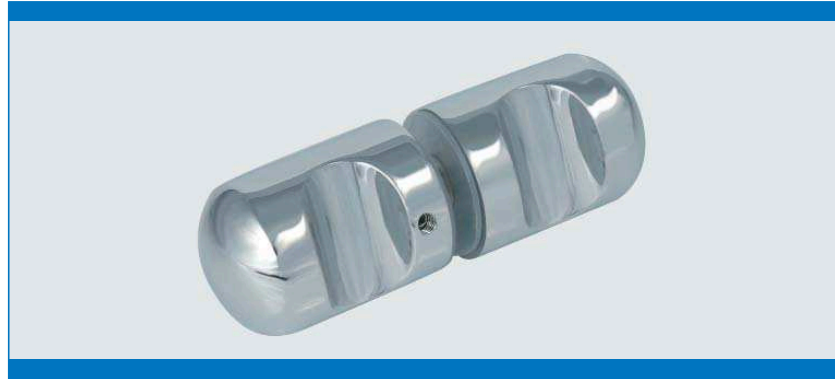
DOOR KNOB „EUTIN“

Material
Brass

Size: $\varnothing 30 \times 42$ mm
Bore hole: $\varnothing 10$ mm
Glass thickness: 6 - 12 mm

Chrome plated # 15.24.095

Packing
60 pairs per carton



DOOR BAR HANDLE SS304

Application

For glass doors
Drilling required

Material

Hollow stainless steel tube 304,
brushed

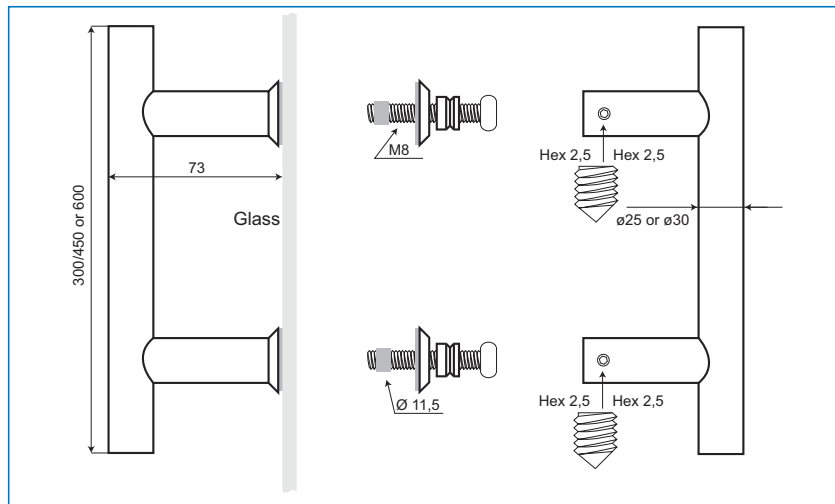
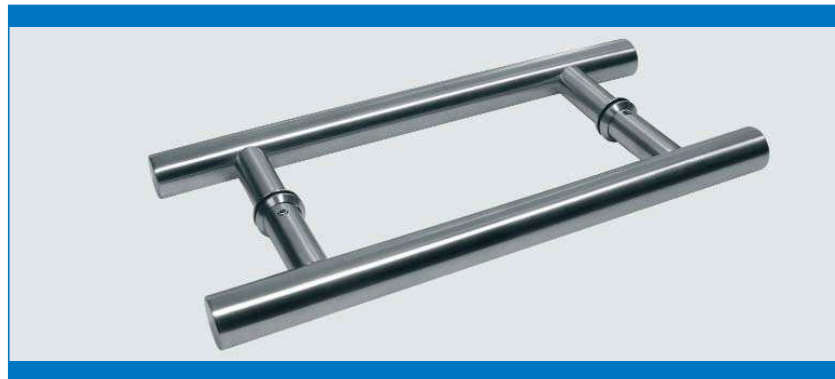
Bore hole: $\varnothing 12$ mm
Glass thickness: 8 - 12 mm

Bar: $\varnothing 25 \times 300$ mm. **Leg:** $\varnothing 19$ mm.
c.c: 200 mm. # 17.87.000

Bar: $\varnothing 30 \times 450$ mm. **Leg:** $\varnothing 22$ mm.
c.c: 300 mm. # 17.87.010

Bar: $\varnothing 30 \times 600$ mm. **Leg:** $\varnothing 22$ mm.
c.c: 400 mm. # 17.87.020

Inclusive transparent tube & washers



Glass to Floor S-5701

6 mm	2,5 meter	15.22.260
8 mm	2,5 meter	15.22.261
10 mm	2,5 meter	15.22.262
12 mm	2,5 meter	15.22.263

Glass to Floor S-5702

6 mm	2,5 meter	15.22.265
8 mm	2,5 meter	15.22.266
10 mm	2,5 meter	15.22.267
12 mm	2,5 meter	15.22.268

Glass to Glass S-5703

135°

6 mm	2,5 meter	15.22.270
8 mm	2,5 meter	15.22.271
10 mm	2,5 meter	15.22.272
12 mm	2,5 meter	15.22.273

Glass to Glass S-5704

90°

6 mm	2,5 meter	15.22.275
8 mm	2,5 meter	15.22.276
10 mm	2,5 meter	15.22.277
12 mm	2,5 meter	15.22.278

Glass to Glass S-5705

180°

6 mm	2,5 meter	15.22.280
8 mm	2,5 meter	15.22.281
10 mm	2,5 meter	15.22.282
12 mm	2,5 meter	15.22.283

Glass to Glass S-5706

180°

6 mm	2,5 meter	15.22.285
8 mm	2,5 meter	15.22.286
10 mm	2,5 meter	15.22.287
12 mm	2,5 meter	15.22.288

Glass to Floor S-5707

6 mm	2,5 meter	15.22.290
8 mm	2,5 meter	15.22.291
10 mm	2,5 meter	15.22.292
12 mm	2,5 meter	15.22.293

Glass to Floor S-5708

6 mm	2,5 meter	15.22.295
8 mm	2,5 meter	15.22.296
10 mm	2,5 meter	15.22.297
12 mm	2,5 meter	15.22.298

Glass to Floor S-5709

6 mm	2,5 meter	15.22.300
8 mm	2,5 meter	15.22.301
10 mm	2,5 meter	15.22.302
12 mm	2,5 meter	15.22.303

Glass to Glass S-5711

180°

26 w/magnet

6 mm	2,5 meter	15.22.305
8 mm	2,5 meter	15.22.306
10 mm	2,5 meter	15.22.307
12 mm	2,5 meter	15.22.308

Glass to Glass S-5712

135°

16 w/magnet

6 mm	2,5 meter	15.22.310
8 mm	2,5 meter	15.22.311
10 mm	2,5 meter	15.22.312
12 mm	2,5 meter	15.22.313

Glass to Glass S-5713

90°

15 w/magnet

6 mm	2,5 meter	15.22.315
8 mm	2,5 meter	15.22.316
10 mm	2,5 meter	15.22.317
12 mm	2,5 meter	15.22.318

Packing: 100 pcs per export carton

Application

For sliding glass doors in shower, offices' or shops
Drilling required

Features

8 - 10 mm glass thickness

Material

Stainless steel 304

Max door load: 120 KG

1 set for door width 960 - 1060 mm consists of

- 1 tube $\varnothing 25 \times 2050$ mm
- 2 x end pieces for $\varnothing 25$ tube
- 2 x door stoppers
- 2 x sliding rollers
- 1 x floor guide
- 1 x installation drawing

Item No.: # 28.29.001

To be ordered separately:

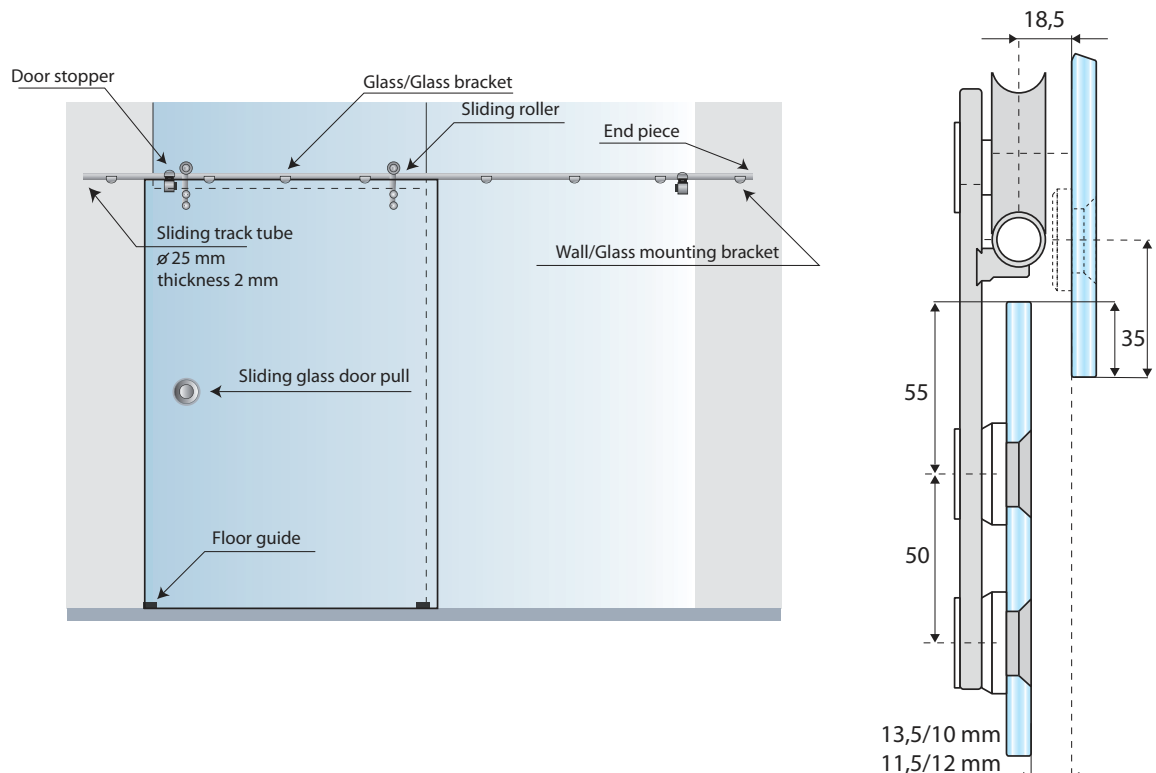
Wall/glass mounting brackets (5 pieces recommended) # 28.29.010

Glass/glass mounting brackets (5 pieces recommended) # 28.29.011

Side-wall mounting bracket f/ $\varnothing 25$ mm tube # 28.29.012

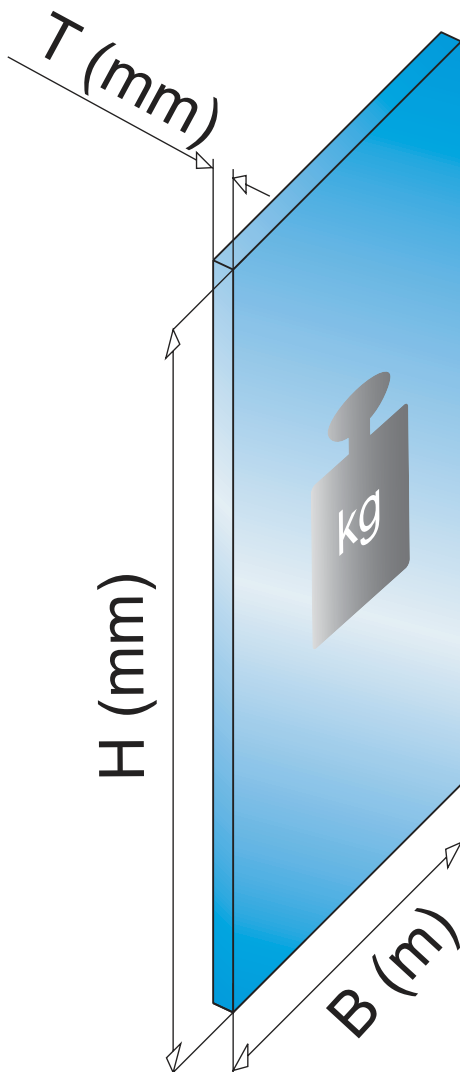
Sliding glass door pull $\varnothing 65$ mm # 28.29.019

Mounting tool for snake eye screws: # 28.29.020





$$\text{kg} = H_{(m)} \times B_{(m)} \times 2,5 \times T_{(mm)}$$

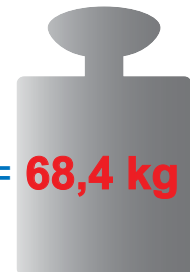


H = m
B = m
T = mm!

Example

H = 1,9 m
B = 1,2 m
T = 12 mm

$$1,9 \times 1,2 \times 2,5 \times 12 = \mathbf{68,4 \text{ kg}}$$



Material: Stainless steel 304
Finish: Polished
Size: \varnothing 16 x 32 mm
Blister packing: 1 pair
incl. screws, hex key & wall plugs
Export packing: 20 pairs
Item No. # 17.73.100



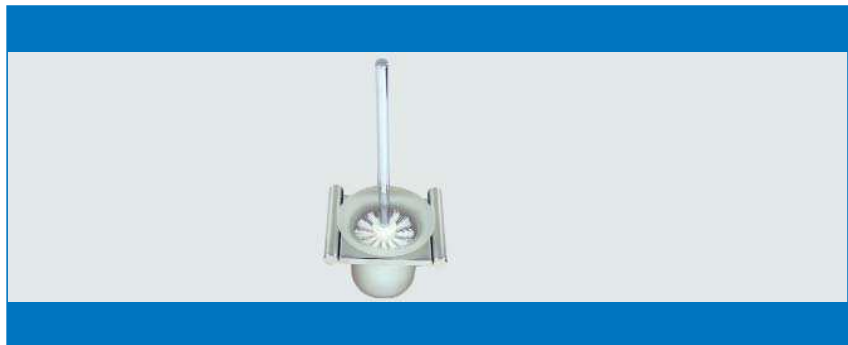
TOILET ROLL HOLDER

Material: Stainless steel 304
Finish: Polished
Size: Feet: \varnothing 18 x 65 mm
Wire: \varnothing 10 mm
Blister packing: 1 pce.
incl. screws, hex key & wall plugs
Export packing: 20 pcs.
Item No. # 17.73.000



TOILET BRUSH WITH HOLDER

Material: Stainless steel 304
Finish: Polished
Size: Holder: 120 x 142 mm
Box packing: 1 set
incl. screws, hex key & wall plugs
Export packing: 10 sets
Item No. # 17.73.030



MOUNTING METHOD

SAME MOUNTING METHOD
FOR ALL PRODUCTS



Application

Complete solution for construction of toilet cubicles.

Ideal for toilets in public swimming baths, airports, locker rooms or gas stations.

Made of black or grey Polypropylene (PP).

Available for right hand & left hand doors.

For wall thickness 16 - 18 mm.

On set consists of

2 handles

1 hook

1 lock

12 angle brackets w/cover caps

2 hinges

2 stands w/cover caps

Item No.:

Black right hand #22.23.050

Grey right hand #22.23.051

Black left hand #22.23.060

Grey left hand #22.23.061

Other colours & material on request.

Packing

20 sets pr. export carton



A series of horizontal dotted lines for taking notes, spanning the width of the page.

A series of horizontal dotted lines spanning the width of the page, intended for taking notes.



- high quality furniture fittings

Item No.: 99.00.020 04.05.2009

SISO A/S

Mileparken 11 Phone: (+45) 45 830 900
DK - 2740 Skovlunde (Copenhagen) Fax: (+45) 45 830 444
Denmark E-mail: siso@siso.dk Web: www.siso.dk