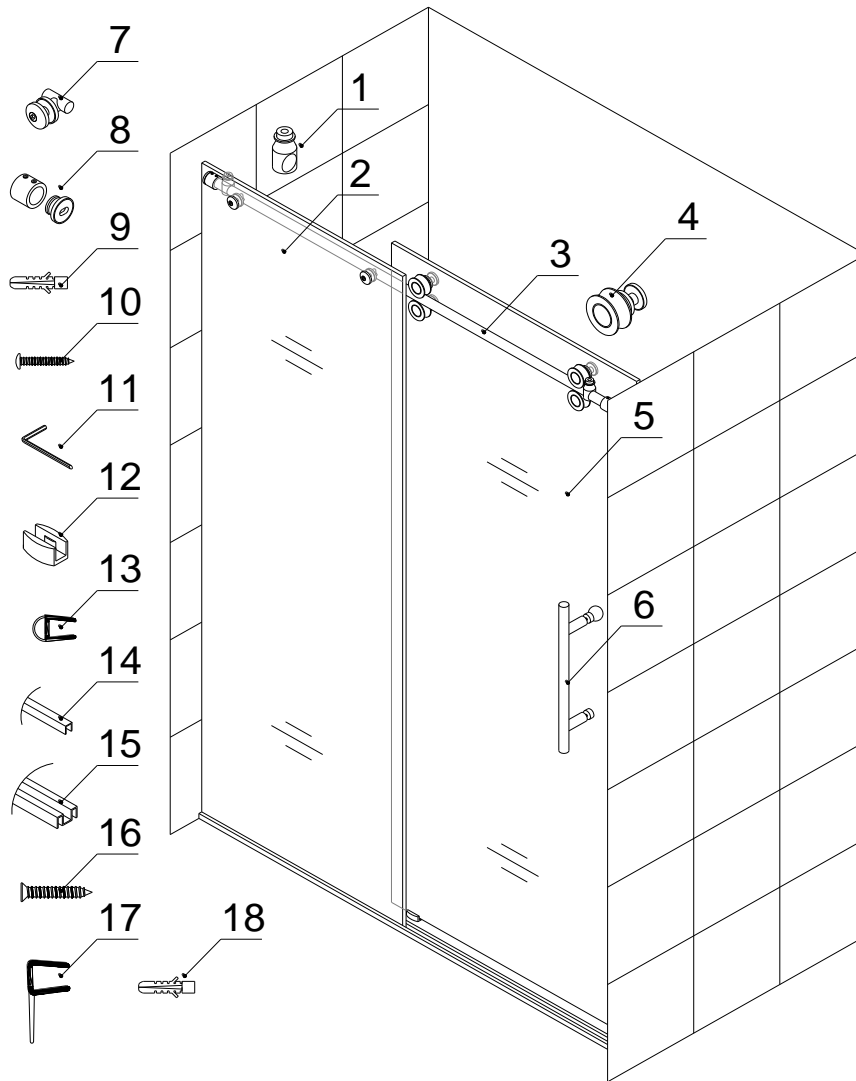


Detailed Diagram of Shower Door Components



Packing List

01	Stopper	2pcs	10	Round head screw ST6×45	2pcs
02	Stationary glass	1pc	11	Allen keys 3mm, 4mm and 5mm	1set
03	Running rail	1pc	12	Guide block	1pc
04	Roller	4pcs	13	Door edge strip	1pc
05	Sliding door	1pc	14	Threshold cover	1pc
06	Handle	1pc	15	Threshold	1pc
07	Glass bracket	2pcs	16	Countersunk screw ST4.2×30	6pcs
08	Wall bracket	2pcs	17	Anti-water strip	2pcs
09	Large anchor 3/8"	2pcs	18	Small anchor 5/16"	6pcs

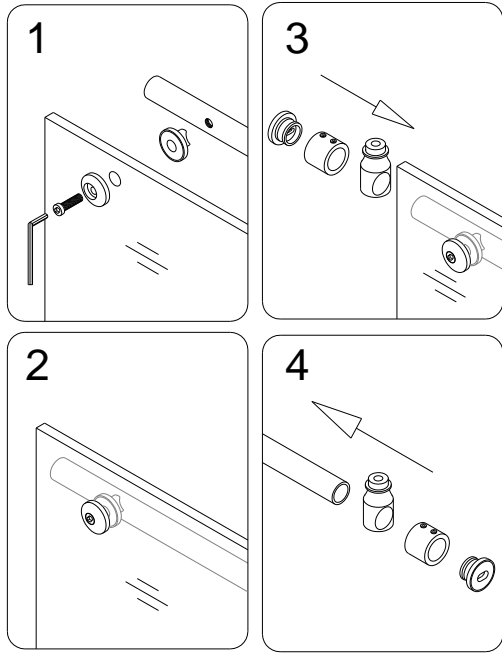


Fig. 5

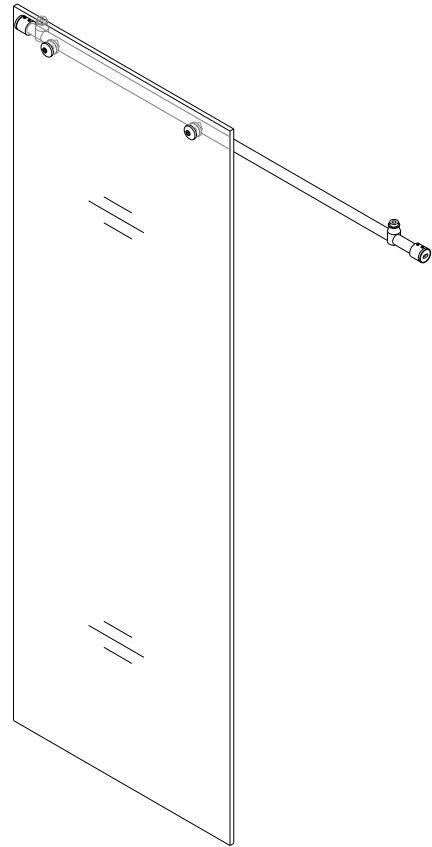


Fig. 6

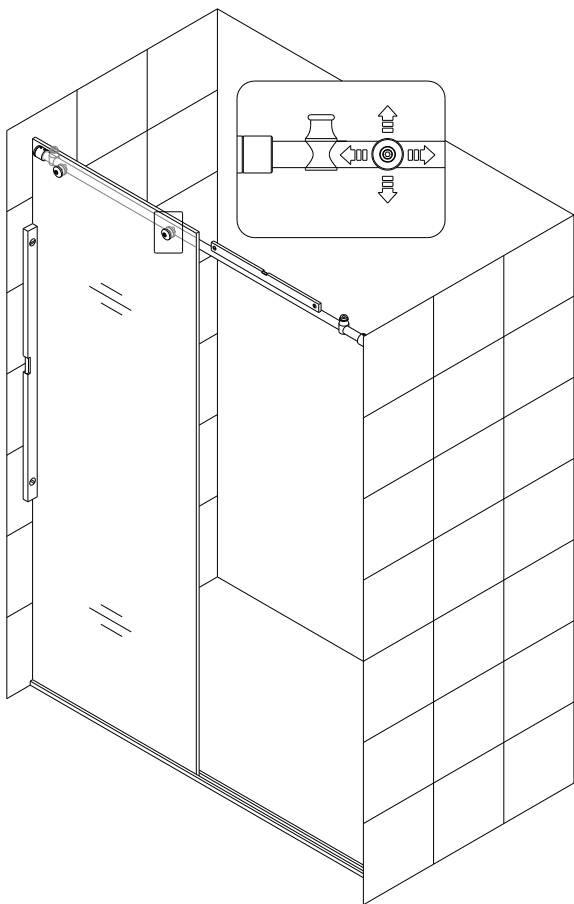


Fig. 7

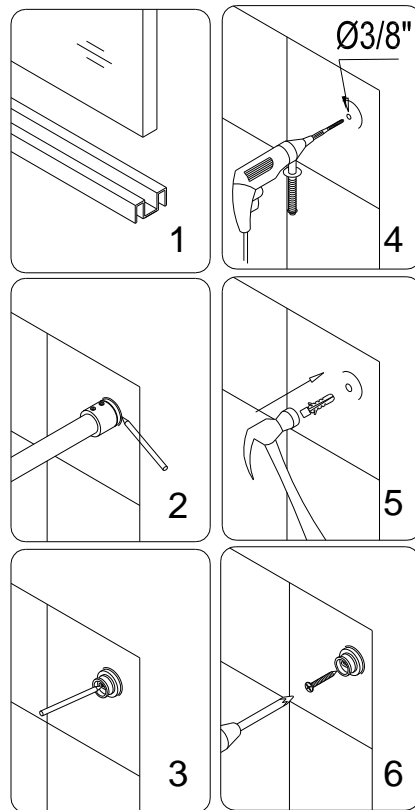


Fig. 8

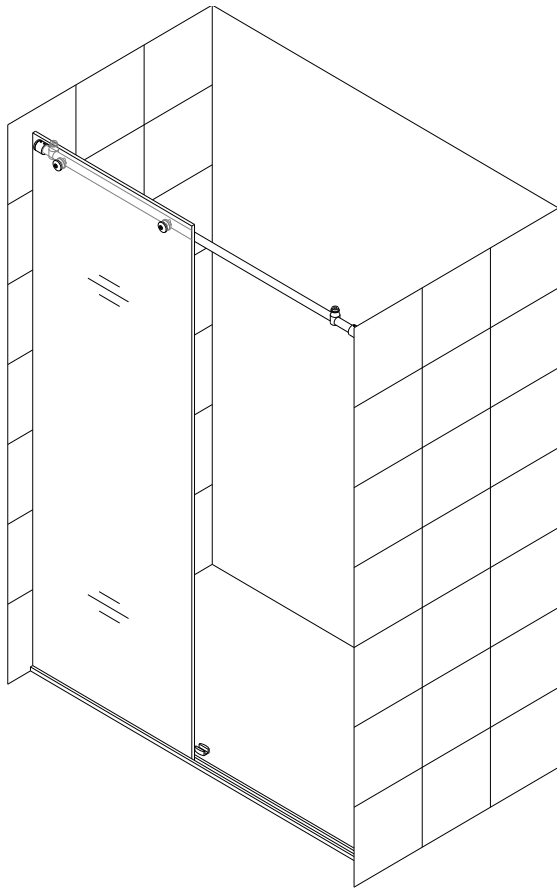


Fig. 9

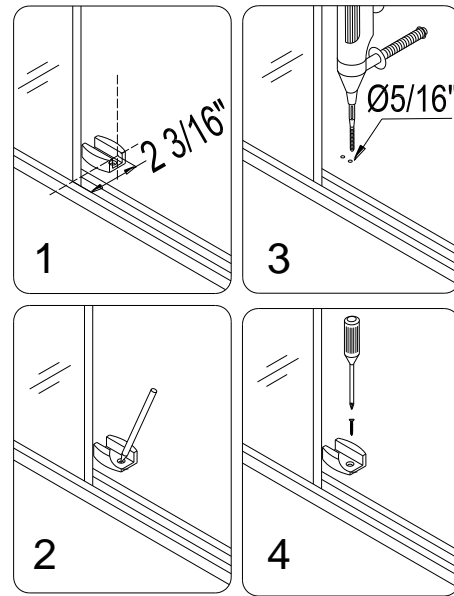


Fig. 10

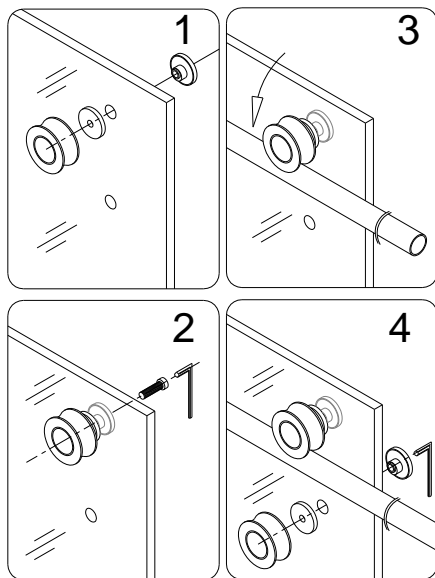


Fig. 11

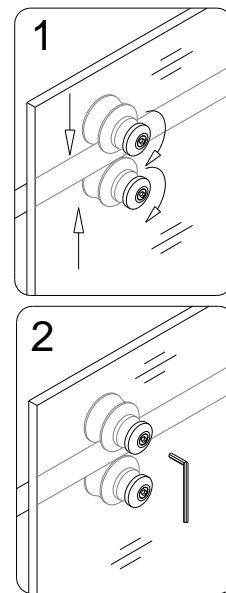


Fig. 12

Maintenance

1. Tempered glass can be cleaned with nonabrasive bathroom cleaner or any glass cleaner you use elsewhere in your home. Rinse off any glass cleaner. Avoid striking it with any sharp or hard objects. Such damage can cause either immediate or delayed breakage of tempered glass.
2. Maintenance of the wheel:
 - A: Use a small amount of the lubricating oil to keep roller movement smooth.
 - B: Adjust wheel screw periodically to guarantee moving door effective bearing and sliding.