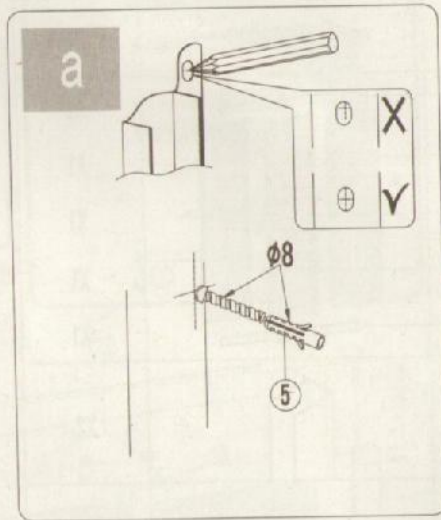
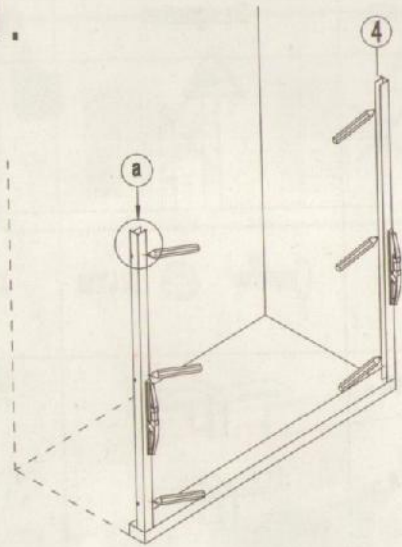
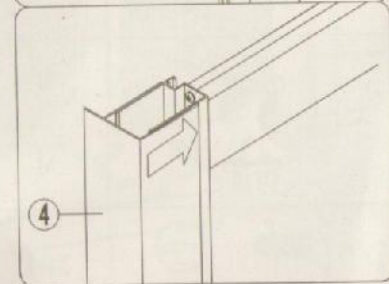
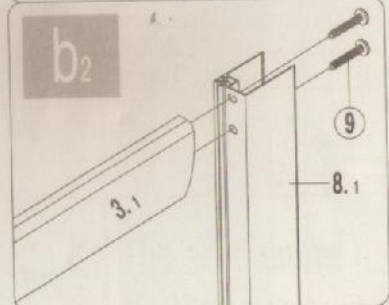
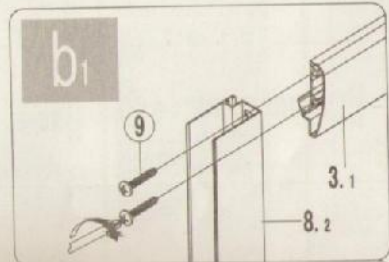
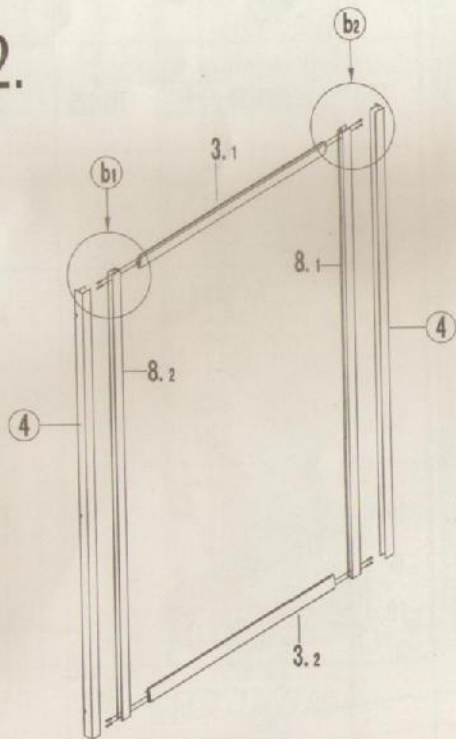


| NO.  | Designation | Pieces | NO.  | Designation | Pieces |
|------|-------------|--------|------|-------------|--------|
| 3.1  |             | X1     | 12   |             | X1     |
| 1    |             | X1     | 13   | ST4X10      | X2     |
| 2.1  |             | X1     | 14.1 |             | X1     |
| 2.2  |             | X1     | 14.2 |             | X1     |
| 3.2  |             | X1     | 15   | M4X12       | X4     |
| 4    |             | X2     | 16   | M4X25       | X4     |
| 5    | $\phi 8$    | X6+1   | 17   |             | X8     |
| 6    | ST4X35      | X6+1   | 18.1 |             | X3     |
| 7    |             | X10+1  | 18.2 |             | X3     |
| 8.1  |             | X2     | 19.1 |             | X1     |
| 8.2  |             | X2     | 19.2 |             | X1     |
| 9    | ST4X30      | X8+1   |      | $\phi 8$    |        |
| 10.1 |             | X1     |      | $\phi 3.2$  |        |
| 10.2 |             | X1     |      |             |        |
| 11   | ST4X12      | X4+1   |      |             |        |

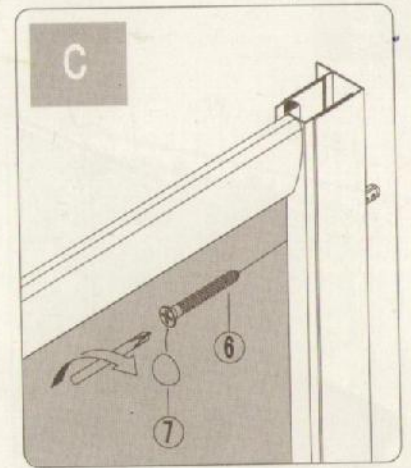
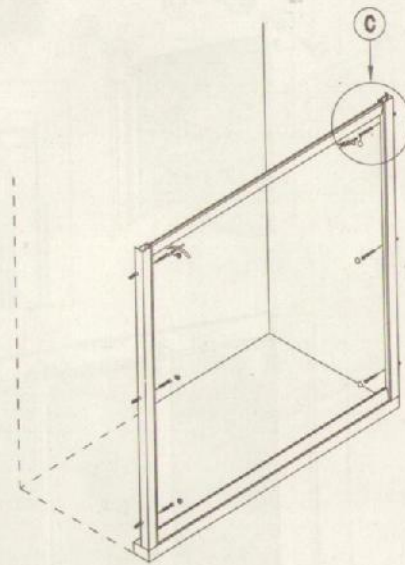
1.



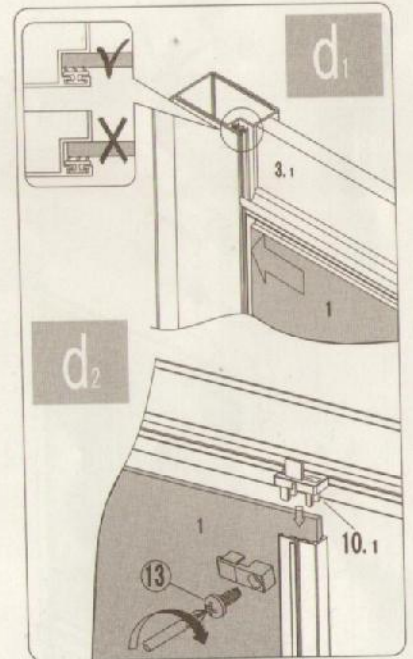
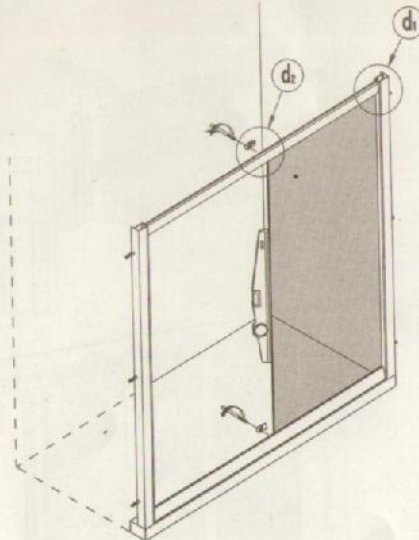
2.



3.

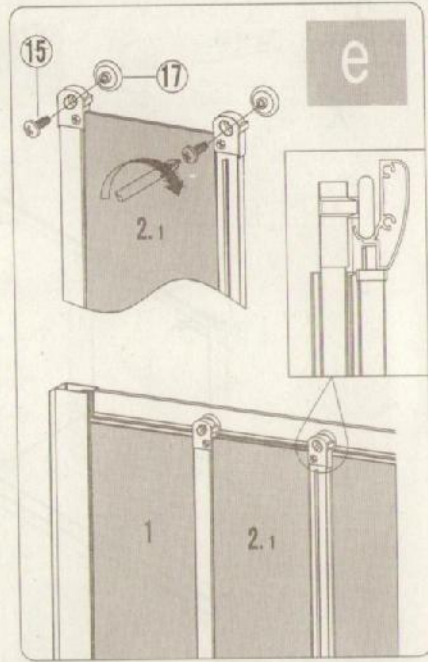
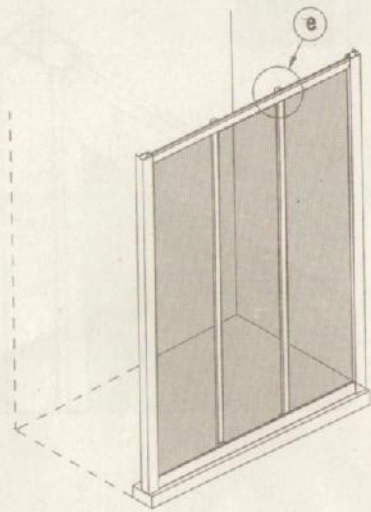


4.

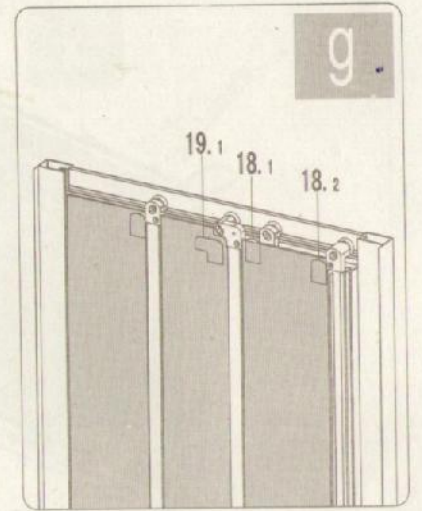
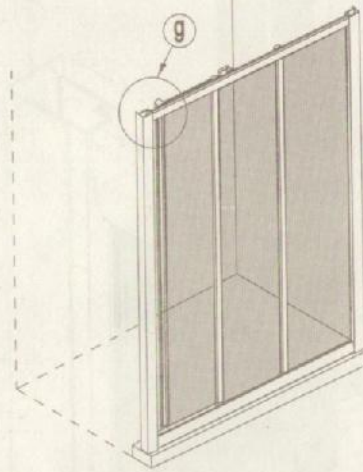




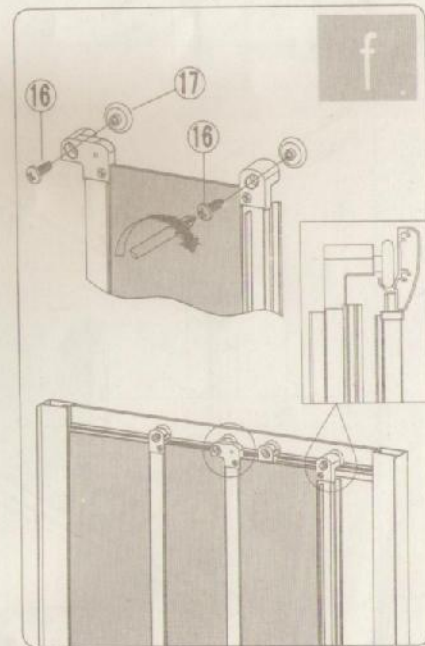
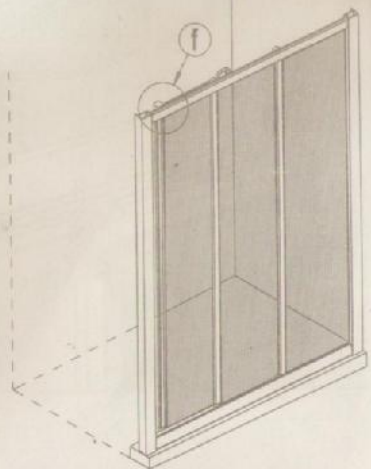
5.



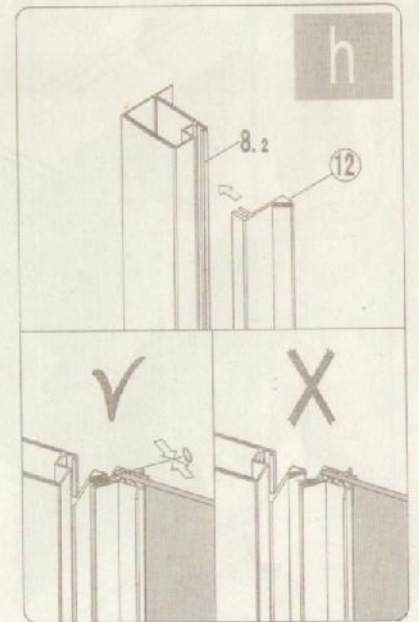
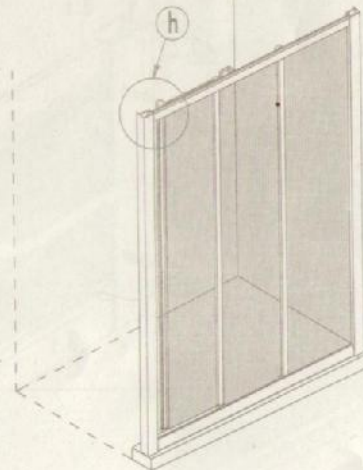
7.



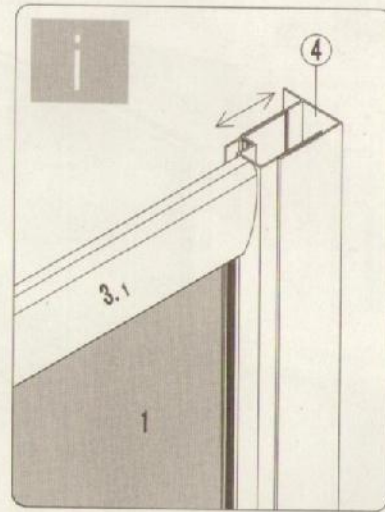
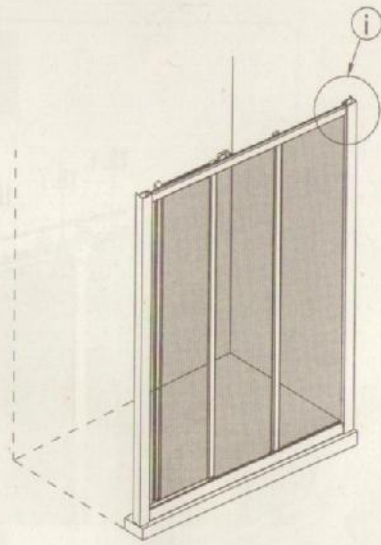
6.



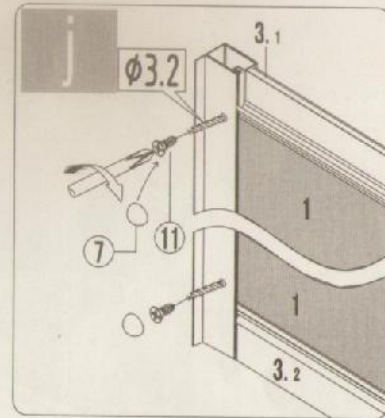
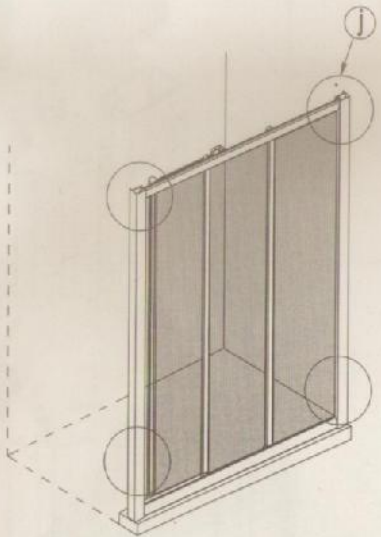
8.



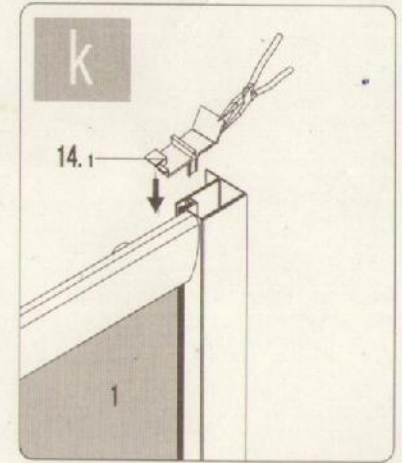
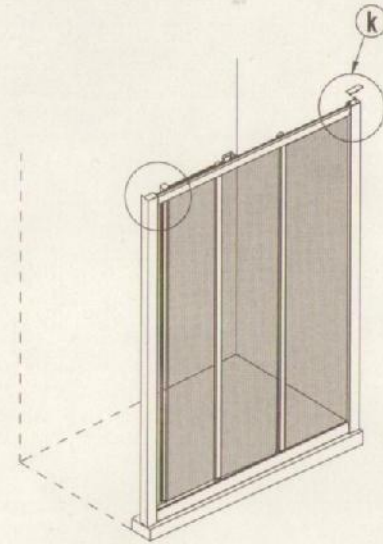
9.



10.



11.



12.

