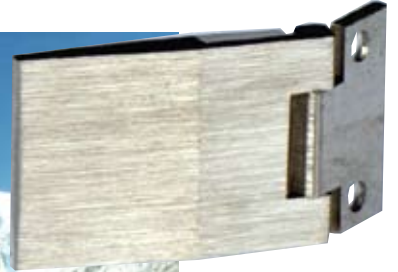




SISO GLASS

fittings



- high quality furniture fittings





- high quality furniture fittings

SISO A/S
MILEPARKEN 11
DK - 2740 SKOVLUNDE
(COPENHAGEN)
DENMARK
PHONE: (+45) 45 830 900
FAX: (+45) 45 830 444

DISTRIBUTOR



SHOWER PIVOT HINGE FLOOR/GLASS „LODZ“

Application

Suitable for glass door/shower doors
Top or bottom mounting,
drilling/cutting required
W/15° return function (self-centering)

Opening: 180°

Max glass width: 800 mm

Load capacity: 20 kg per hinge

Glass thickness: 8-10 mm

Material

Brass

1 hinge consists of

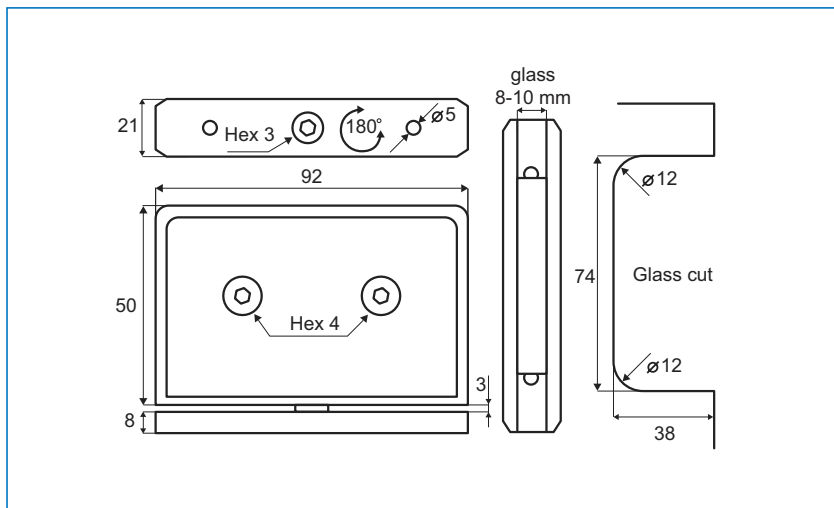
- 1 hinge 50 x 92 x 21 mm (H/W/D)
- 2 hex screws 4 mm
- 1 L-shaped 4 mm hex key
- 2 transparent cushions 1 mm thickness
- 2 transparent cushions 1,5 mm thickness
- 2 wall plugs
- 2 wall screws
- 1 drilling/cutting template

Finish

- SS-look # 15.23.900
- Alu-finish # 15.23.901
- Chrome plated # 15.23.902

Packing

10 pcs per carton



GLASS CLAMP GLASS/GLASS 180° W/SQUARE CORNERS „BERN“

Application

Suitable for shower glass walls
Drilling required

Features

Glass thickness: 8 - 10 mm

Mounting

Glass \varnothing 12 mm drilling

Material

Brass

1 clamp consists of

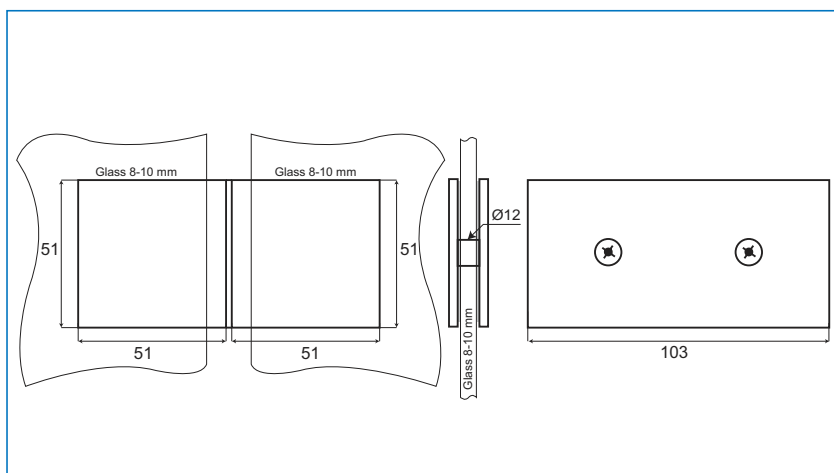
- 1 clamp 103 x 51 x 17 mm (H/W/D)
- 2 fixing PZD screws
- 4 transparent cushions 1 mm thickness
- 2 transparent tubes \varnothing 12 x 8 mm

Finish

- Chrome plated # 15.23.695
- SS-look # 15.23.696
- Alu-finish # 15.23.697

Packing

50 pcs per carton



GLASS CLAMP GLASS/GLASS 90° W/SQUARE CORNERS „BERN“

Application

Suitable for shower glass walls
Drilling required

Features

Glass thickness: 8 - 10 mm

Mounting

Glass \varnothing 12 mm drilling

Material

Brass

1 clamp consists of

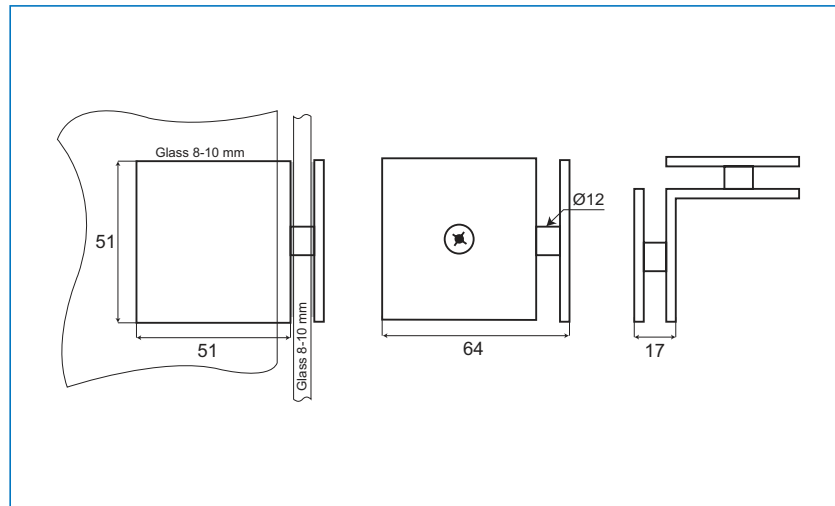
1 clamp 51 x 51 x 17 mm (H/W/D)
2 fixing PZD screws
4 transparent cushions 1 mm thickness
2 transparent tubes \varnothing 12 x 8 mm

Finish

Chrome plated # 15.23.690
SS-look # 15.23.691
Alu-finish # 15.23.692

Packing

20 pcs per carton



GLASS CLAMP WALL/GLASS 180° W/SQUARE CORNERS „BERN“

Application

Suitable for shower glass walls
Drilling required

Features

Glass thickness 8 - 10 mm

Mounting

Wall 2 x \varnothing 5 mm CSK screw holes
Glass \varnothing 12 mm drilling

Material

Brass

1 clamp consists of

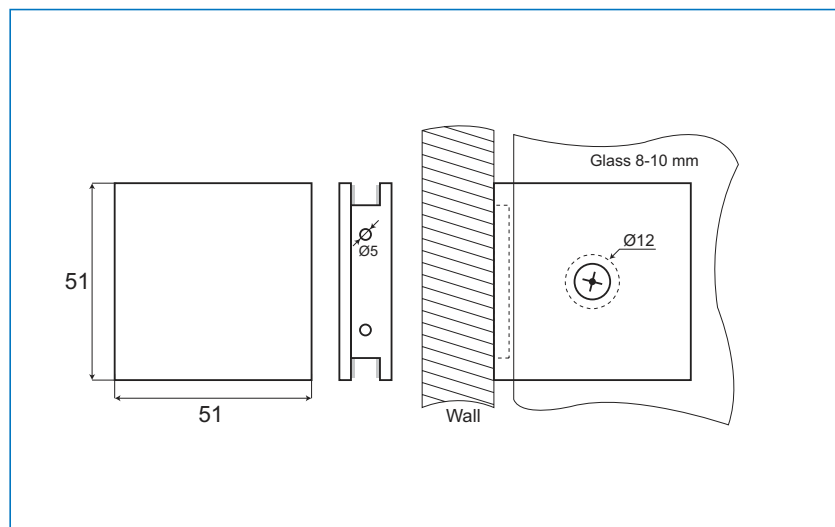
1 clamp 51 x 51 x 17 mm (H/W/D)
1 fixing PZD screws
2 transparent cushions 1 mm thickness
1 transparent tube \varnothing 12 x 8 mm
2 wall plugs
2 wall screws

Finish

Chrome plated # 15.23.706
SS-look # 15.23.705
Alu-finish # 15.23.704

Packing

60 pcs per carton



GLASS CLAMP WALL/GLASS 90° W/SQUARE CORNERS „BERN“

Application

Suitable for shower glass walls
Drilling required

Features

Glass thickness 8 - 10 mm

Mounting

Wall: 1 x $\varnothing 5$ mm CSK screw holes
Glass: $\varnothing 12$ mm drilling

Material

Brass

1 clamp consists of

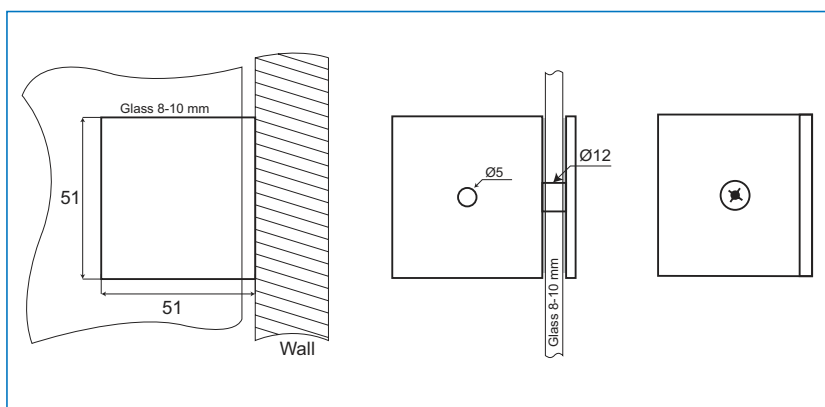
- 1 clamp 51 x 51 x 17 mm (H/W/D)
- 1 fixing PZD screws
- 2 transparent cushions 1 mm thickness
- 1 transparent tube $\varnothing 12$ x 8 mm
- 1 wall plug
- 1 wall screw

Finish

- Chrome plated # 15.23.700
- SS-look # 15.23.701
- Alu-finish # 15.23.702

Packing

20 pcs per carton



GLASS CLAMP WALL/GLASS 90° W/ROUNDED CORNERS „HAM“

Application

Suitable for shower glass walls
Drilling required

Features

Glass thickness 8-10 mm
90° angle

Mounting

Wall: 1 x $\varnothing 5$ mm CSK screw holes
Glass: $\varnothing 12$ mm drilling

Material

Brass

1 clamp consists of

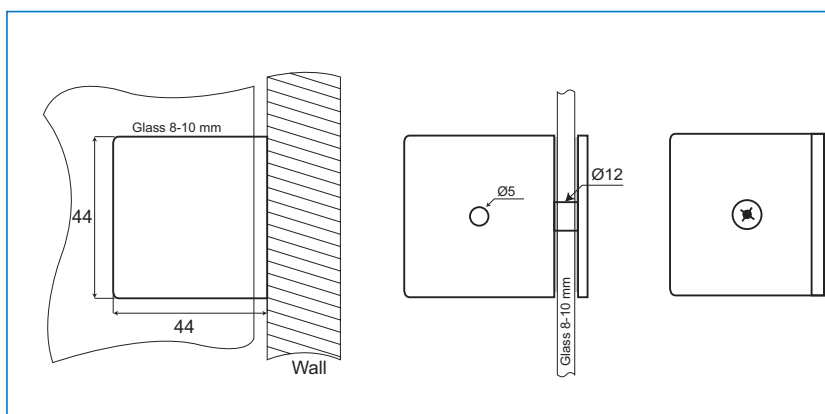
- 1 clamp 44 x 44 x 18 (H/W/D)
- 1 fixing PZD screws
- 4 transparent cushions 1 mm thickness
- 1 wall plug
- 1 wall screw
- 1 transparent tube $\varnothing 12$ X 8 mm

Finish

- Chrome plated # 15.23.700

Packing

40 pcs per carton



GLASS CLAMP WALL/GLASS 180° W/CHAMFERED EDGES „LUND“

Application

Suitable for shower glass walls
Drilling required

Features

Glass thickness 8 - 10 mm

Mounting

Wall: 1 x $\varnothing 5$ mm CSK screw holes
Glass: $\varnothing 12$ mm drilling

Material

Brass

1 clamp consists of

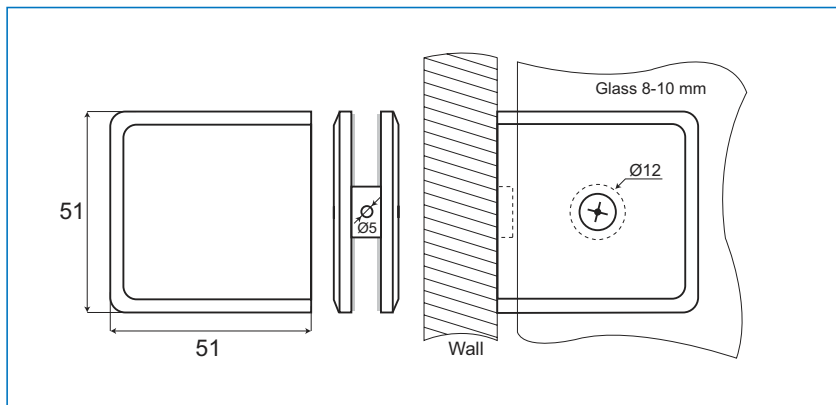
1 clamp 51 x 51 x 17 mm (H/W/D)
1 fixing PZD screws
2 transparent cushions 1 mm thickness
1 transparent tube $\varnothing 12$ x 8 mm
1 wall plug
1 wall screw

Finish

Chrome plated # 15.23.707
SS-look # 15.23.708
Alu-finish # 15.23.709

Packing

60 pcs per carton



GLASS CLAMP WALL/GLASS 90° W/CHAMFERED EDGES „LUND“

Application

Suitable for shower glass walls
Drilling required

Features

Glass thickness 8 - 10 mm

Mounting

Wall: 1 x $\varnothing 5$ mm CSK screw holes
Glass: $\varnothing 12$ mm drilling

Material

Brass

1 clamp consists of

1 clamp 51 x 51 x 17 mm (H/W/D)
1 fixing PZD screws
2 transparent cushions 1 mm thickness
1 transparent tube $\varnothing 12$ x 8 mm
1 wall plug
1 wall screw

Finish

Chrome plated # 15.23.710
SS-look # 15.23.711
Alu-finish # 15.23.712

Packing

20 pcs per carton

