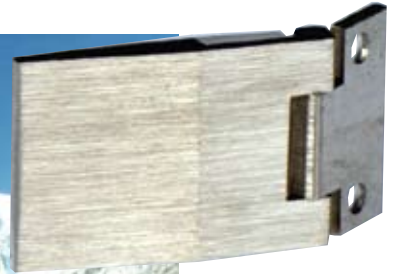




SISO GLASS

fittings



- high quality furniture fittings





- high quality furniture fittings

SISO A/S
MILEPARKEN 11
DK - 2740 SKOVLUNDE
(COPENHAGEN)
DENMARK
PHONE: (+45) 45 830 900
FAX: (+45) 45 830 444

DISTRIBUTOR



SAUNA HINGE F/GLASS DOORS W/MOUTING PLATE

Model „SLOVAKIA“

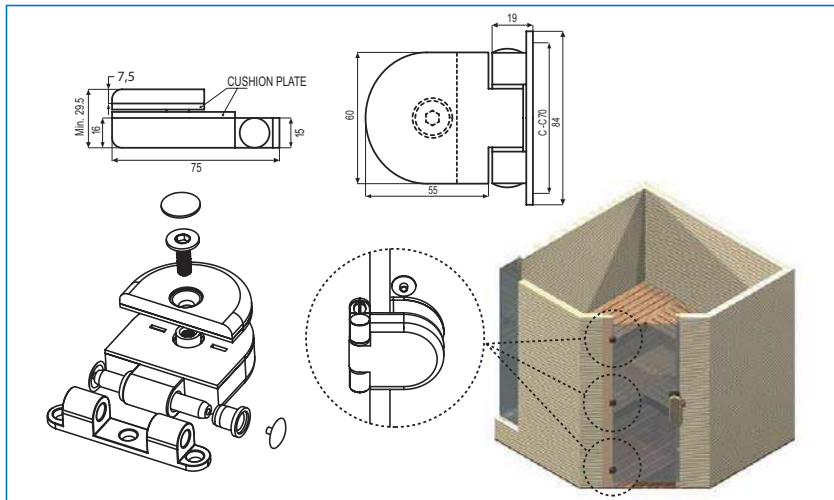
Opening: 180 degrees.
Load capacity: 20 kg per hinge.
Glass thickness: 6-8 mm.
Max glass width: 1000 mm.

One hinge consists of:

- 1 zamak mounting plate 15 x 84 mm.
- 3 CSK screw holes \varnothing 5 mm. c/c 70 mm.
- 1 zamak hinge body 60 x 55 mm.
- 1 stainless steel connecting pin.
- 2 plastic bushings.
- 1 stainless steel tightening screw M8 x 20 mm.
- 1 transparent height adjustment washer. Bore hole \varnothing 20 mm.
- 1 transparent protection ring. Bore hole \varnothing 16 mm.
- 3 plastic cover caps.

Finish

- Brown powder painted # 15.25.050
- Chrome plated # 15.25.051
- Aluminium look # 15.25.052
- Satin nickel plated # 15.25.053
- White powder painted # 15.25.054



SAUNA HINGE F/GLASS DOORS - PIN MOUTING

Model „TREBISOV“

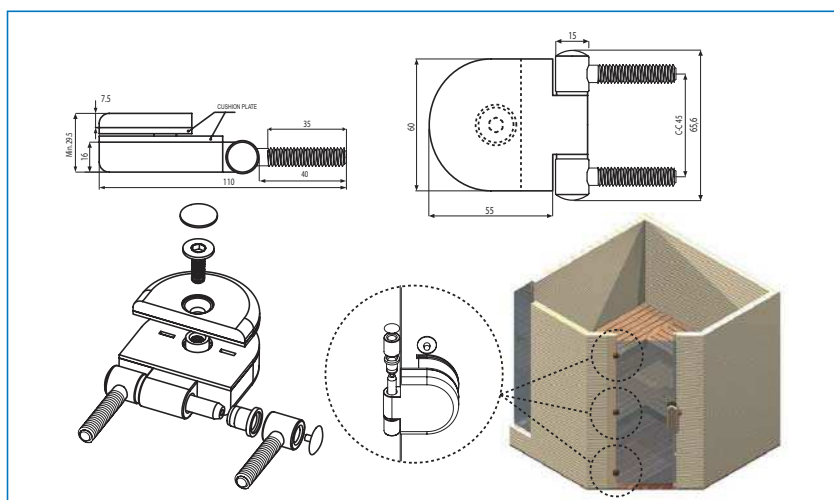
Opening: 180 degrees.
Load capacity: 20 kg per hinge.
Glass thickness: 6-8 mm.
Max glass width: 1000 mm.

One hinge consists of:

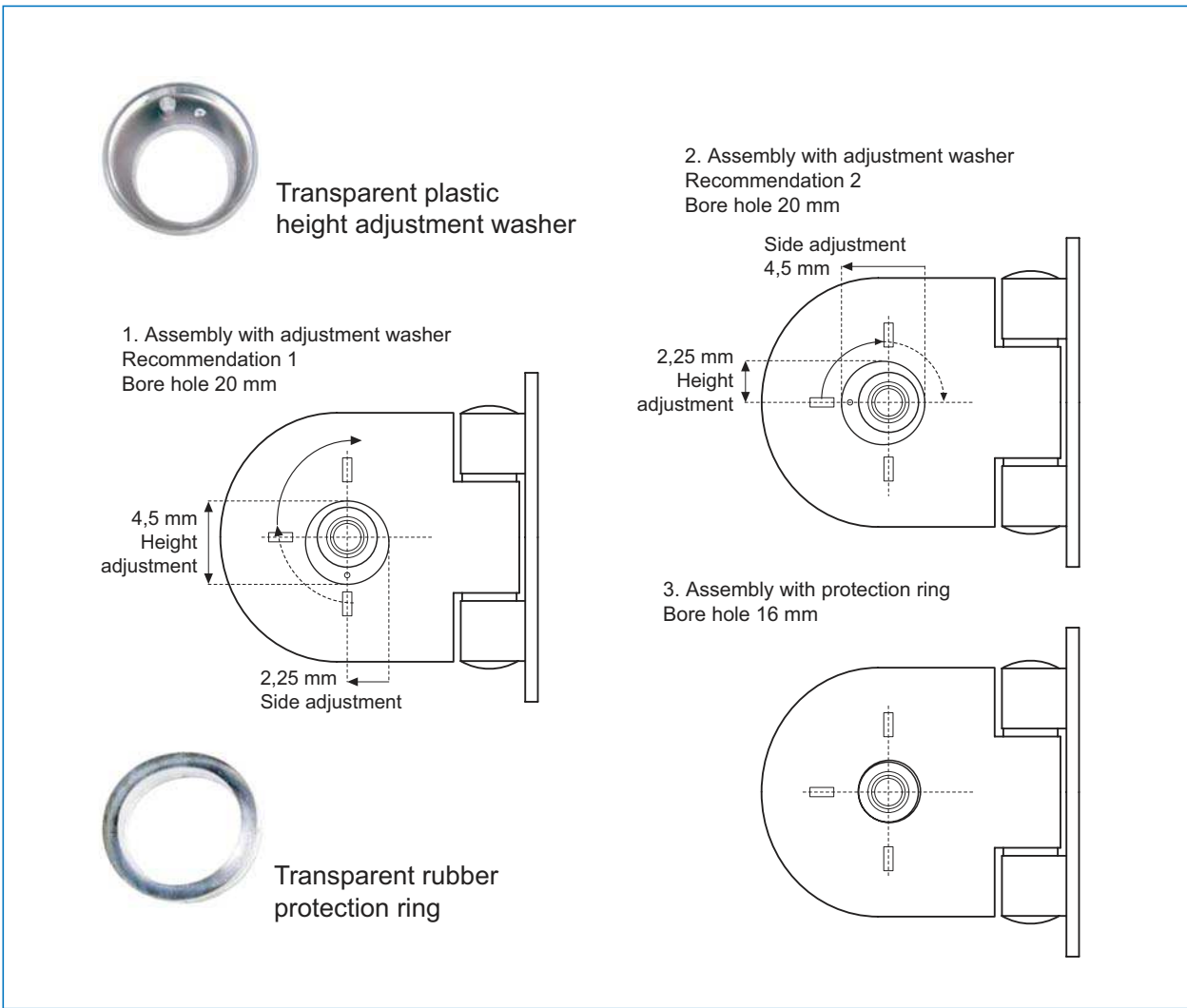
- 2 steel cylinders \varnothing 15 mm w/ M8 x 40 mm pins for door frame mounting. c/c. 45 mm.
- 1 zamak hinge body 60 x 55 mm.
- 1 stainless steel connecting pin.
- 2 plastic bushings.
- 1 stainless steel tightening screw M8 x 20 mm.
- 1 transparent height adjustment washer. Bore hole \varnothing 20 mm.
- 1 transparent protection ring. Bore hole \varnothing 16 mm.
- 3 plastic cover caps.

Finish

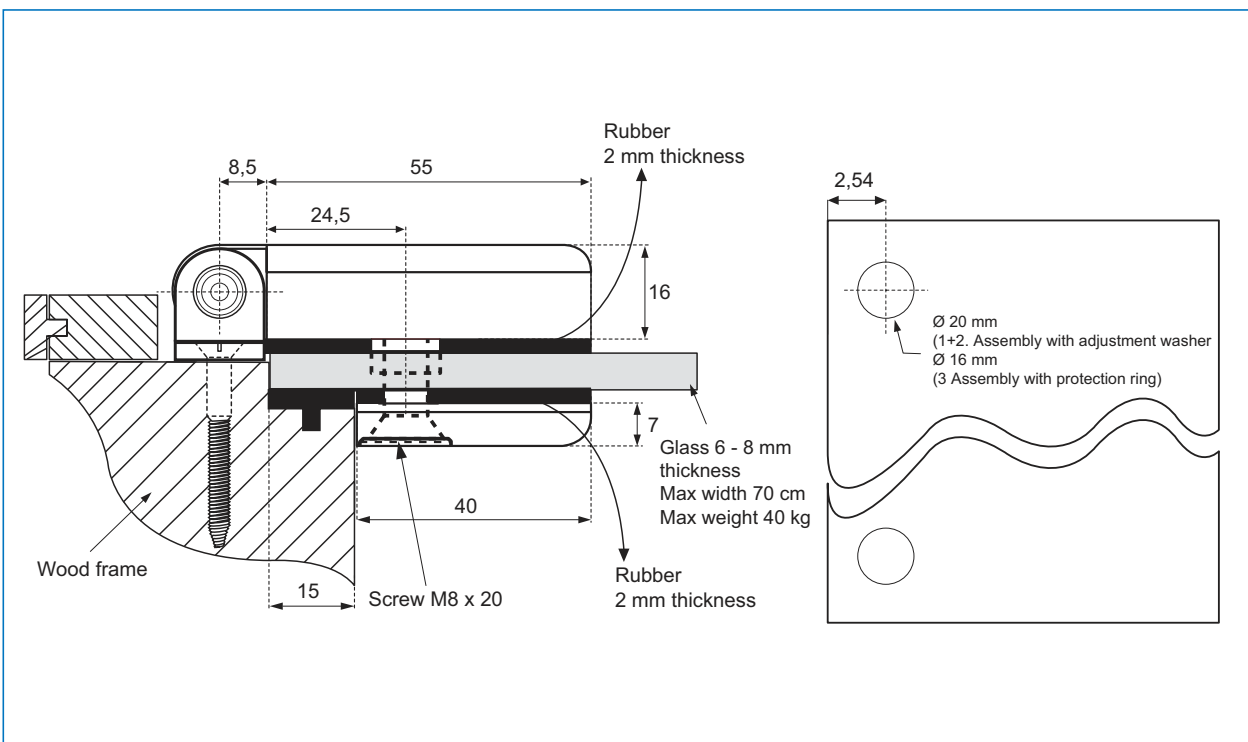
- Brown powder painted # 15.25.000
- Chrome plated # 15.25.002
- Aluminium look # 15.25.001
- Satin nickel plated # 15.25.003
- White powder painted # 15.25.004



HEIGHT ADJUSTMENT WASHER INSTRUCTION



MOUNTING INSTRUCTION F/GLASS DOOR HINGE MODEL SLOVAKIA & TREBISOV



SAUNA HINGE F/WOODEN DOORS - PIN MOUNTING

Model „BELARUS“

Opening: 180 degrees.

Load capacity: 20 kg per hinge.

One hinge consists of

2 steel cylinders $\varnothing 15$ mm

w/ M8 x 40 mm pins for door frame mounting. c/c 44 mm.

1 steel cylinder $\varnothing 15$ mm

w/ M8 x 50 mm pin for door mounting.

1 stainless steel connecting pin.

2 plastic bushings.

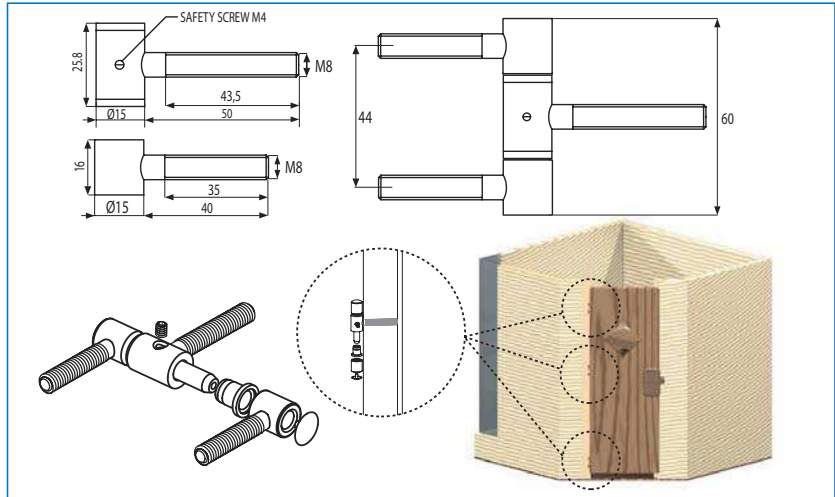
2 plastic cover caps.

1 safety screw M4.

Colour

Brown powder painted # 15.25.080

(other colours on request)



SAUNA HINGE F/WOODEN DOORS W/MOUNTING PLATE

Model „ESTI“

Opening: 180 degrees.

Load capacity: 20 kg per hinge.

One hinge consists of

1 zamak mounting plate 15 x 84 mm.

3 CSK screw holes $\varnothing 5$ mm. c/c 70 mm.

1 steel cylinder $\varnothing 15$ mm w/ M8 x 50 mm pin for door mounting.

1 stainless steel connecting pin.

2 plastic bushings.

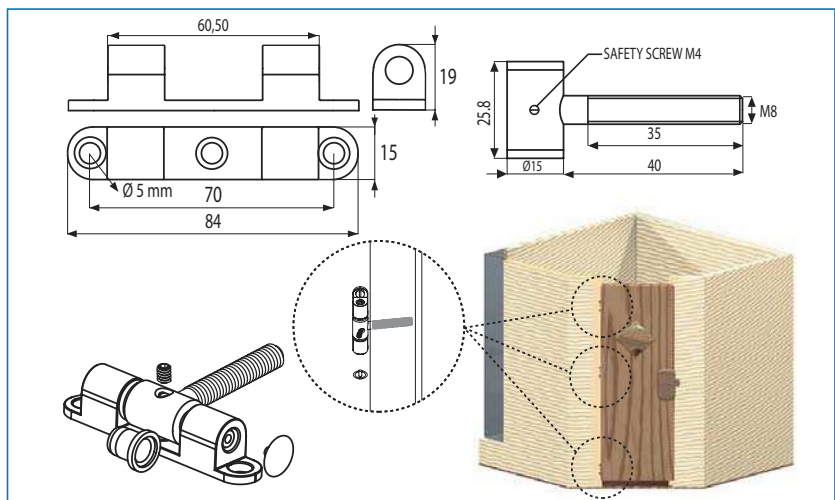
2 plastic cover caps.

1 safety screw M4.

Colour

Brown powder painted # 15.25.070

(other colours on request)



SAUNA HINGE F/GLASS DOORS - CRANKED

Model „SUOMI“

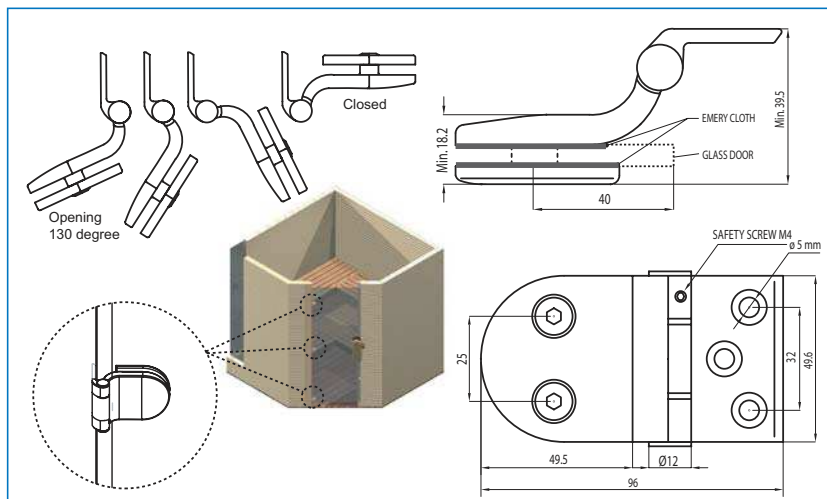
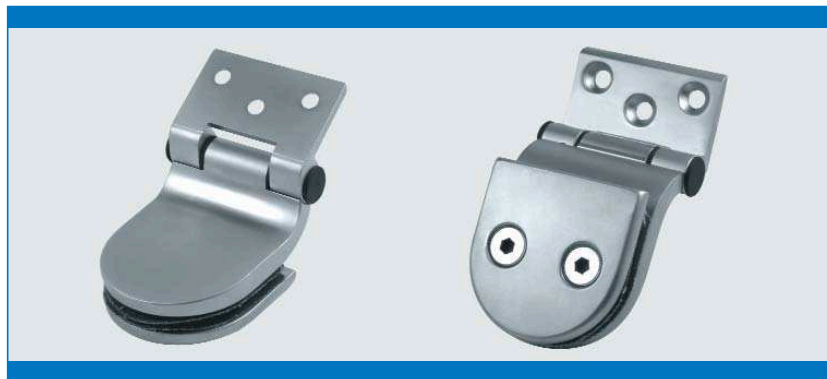
Opening: 130 degrees.
Load capacity: 20 kg per hinge.
Glass thickness: 6-8 mm.
Max glass width: 1000 mm.
2 bore holes \varnothing 12 mm for extra safety.
40 mm distance from centre of bore hole to edge of glass door.

One hinge consists of

1 zamak mounting plate 25 x 50 mm.
w/3 CSK screw holes \varnothing 5 mm.
c/c 32mm.
1 zamak hinge body 49,5 x 49,5 mm.
1 stainless steel connecting pin.
2 plastic bushings.
1 safety screw M4.
2 stainless steel tightening screws
M8 x 20 mm. c/c 25 mm.

Item No.

Brown powder painted # 15.25.060
Chrome plated # 15.25.061
Aluminium finish # 15.25.062
Satin nickel plated # 15.25.063
White powder painted # 15.25.064



SAUNA DOOR CATCH

Model „UKRAINE“

Size
85 x 41 mm

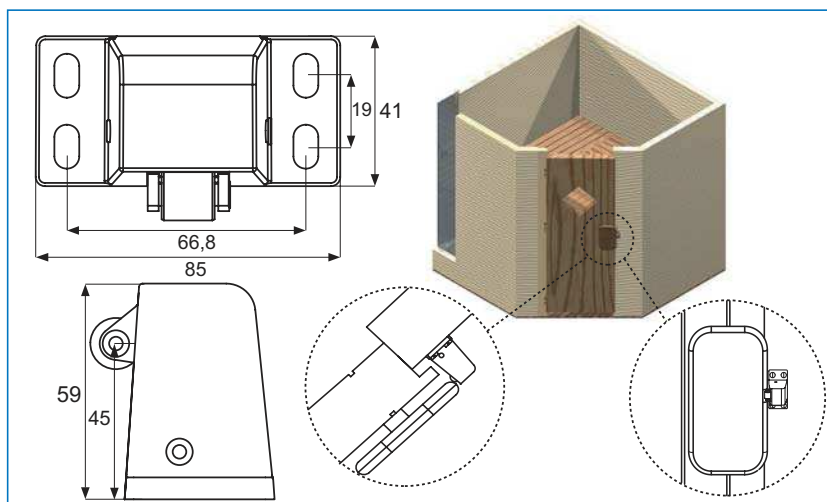
Material
Zamak house & stainless steel spring

Pulling power
13 - 15 kg.

Colour
Brown powder painted
(other colours on request)

Item No.

Brown powder painted # 15.25.020
Chrome plated # 15.25.021
Aluminium finish # 15.25.022
Satin nickel plated # 15.25.023
White powder painted # 15.25.024



SAUNA DOOR CATCH ROLLER W/STRENGHT ADJUSTMENT FUNCTION



Model „DANIA“

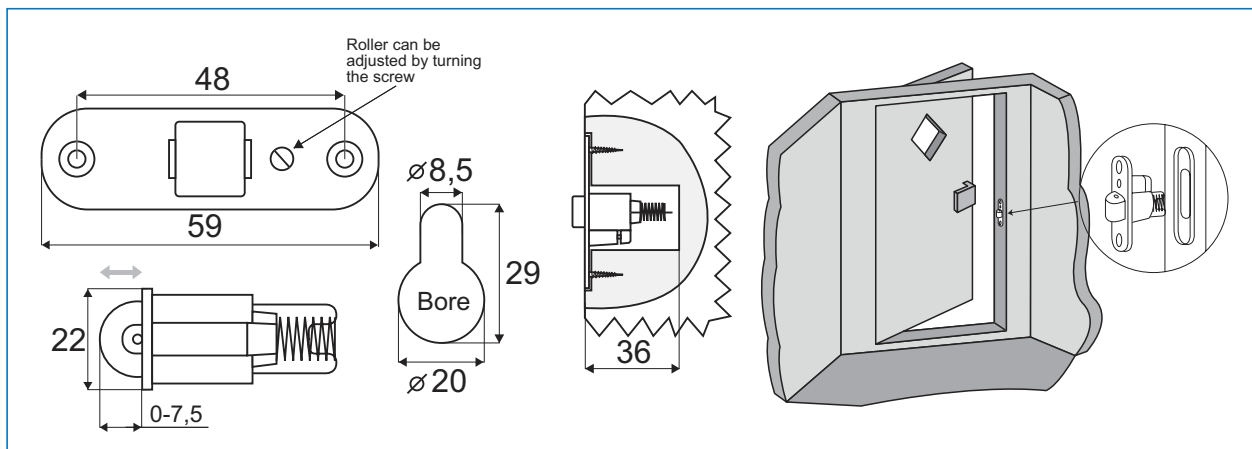
Application
For sauna doors

Mounting
Inset hole 29 x 36 mm c.c. 48 mm

Material
Zamak housing & plastic roller

Function
By turning in the screw the depth of the roller can be adjusted from 0 - 7,5 mm

Item No.
Brown # 15.25.031
Chrome plated # 15.25.030



MAGNET SCREW WITH 14 MM HEX HEAD

MAGNET SCREW WITH 14 MM HEX HEAD

Size M6 x 22 mm
Material Steel
Finish Nickel plated
Pulling power 9,5 kg
Item No. #15.25.010

CATCH PLATE:

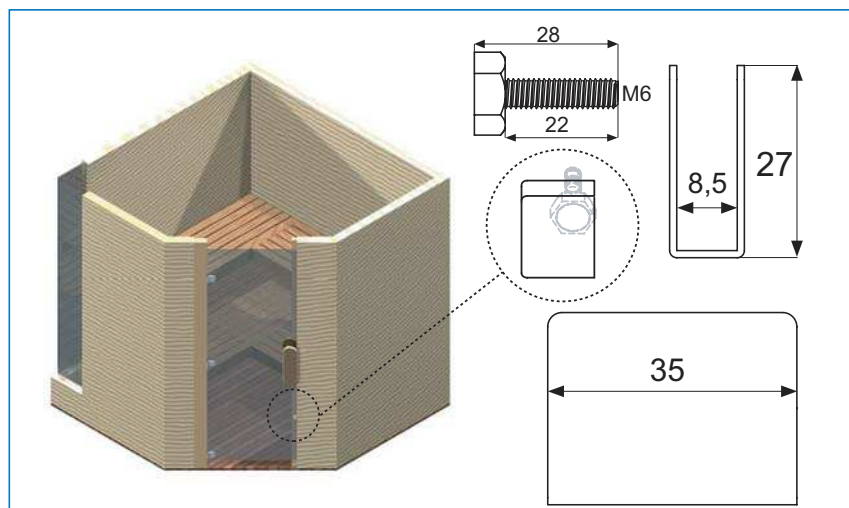
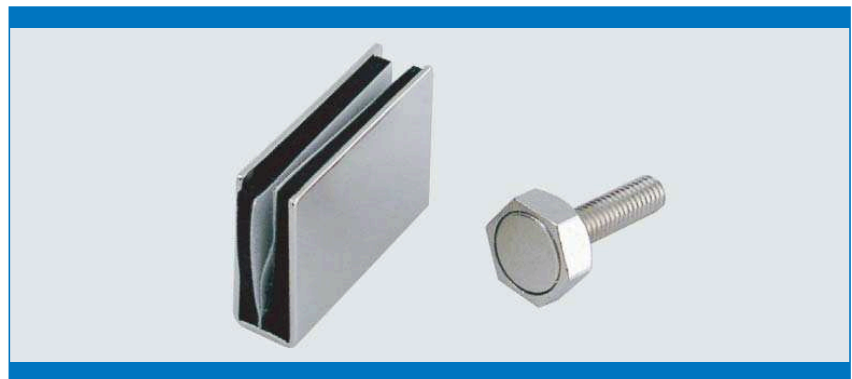
Size 35 x 27 mm.
Material Steel

Finish

W/1 mm cushion for 8 mm glass thickness:
Aluminium look # 15.25.013
Nickel plated # 15.25.015
Chrome plated # 15.25.017

Finish

W/2 mm cushion for 6 mm glass thickness:
Aluminium look # 15.25.014
Nickel plated # 15.25.016
Chrome plated # 15.25.018



Application

Suitable for glass door/shower doors
 Drilling/cutting required
 W/angle adjustment function
 W/25° return function (self-centering)

Opening: 90°

Max glass width: 800 mm

Load capacity: 18 kg per hinge

Glass thickness: 6-10 mm

Material

Brass

1 hinge consists of

- 1 hinge 90 x 55 mm
- 1 mounting plate 4 x 90 x 50 mm
- 2 hex screws 4 mm
- 1 L-shaped 4 mm hex key
- 2 transparent cushions 1 mm thickness
- 2 screws w/2,5 mm hex
- 1 L-shaped hex key 2,5 mm
- 4 wall plugs
- 4 wall screws
- 1 drilling/cutting template

Finish

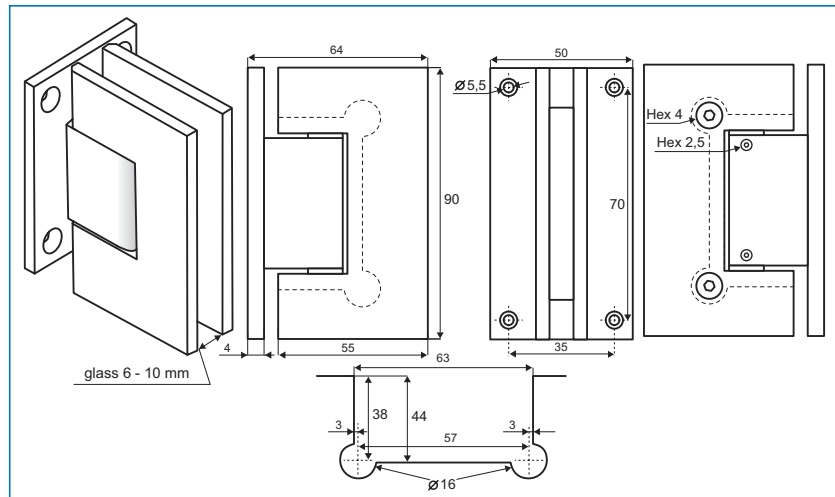
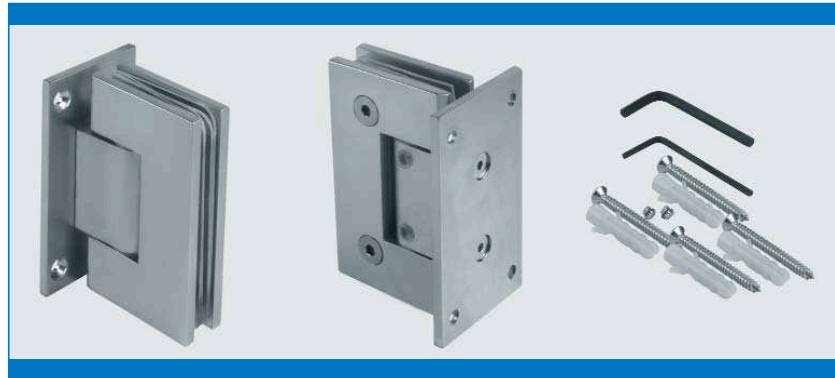
SS-look # 15.24.000

Chrome plated # 15.24.002

Alu-finish # 15.24.001

Packing

20 pcs per carton



SHOWER DOOR HINGE „TEX“ W/OFF CENTRE MOUNTING PLATE

Application

Suitable for glass door/shower doors
 Drilling/cutting required
 W/angle adjustment function
 W/25° return function (self-centering)

Opening: 90°

Max glass width: 800 mm

Load capacity: 18 kg per hinge

Glass thickness: 6-10 mm

Material

Brass

1 hinge consists of

- 1 hinge 90 x 55 mm
- 1 mounting plate 4 x 90 x 50 mm
- 2 hex screws 4 mm
- 1 L-shaped 4 mm hex key
- 2 transparent cushions 1 mm thickness
- 2 transparent cushions 1,5 mm thickness
- 2 screws w/2,5 mm hex
- 1 L-shaped hex key 2,5 mm
- 3 wall plugs
- 3 wall screws
- 1 drilling/cutting template

Finish

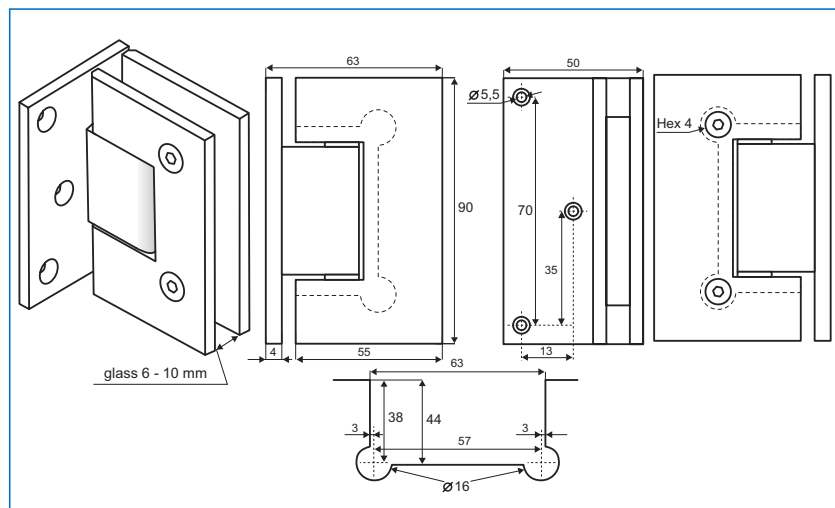
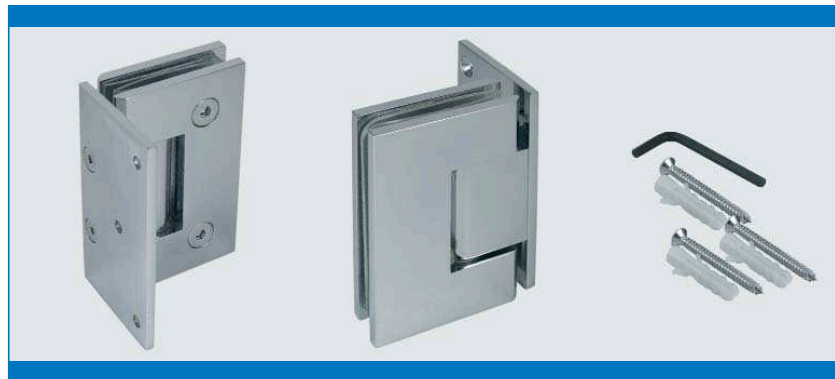
SS-look # 15.24.010

Alu-finish # 15.24.011

Chrome plated # 15.24.012

Packing

20 pcs per carton



SHOWER DOOR HINGE „TEX“

GLASS TO GLASS 180°

Application

Suitable for glass door/shower doors
 Drilling/cutting required
 W/angle adjustment function
 W/25° return function (self-centering)
Opening: 180°
Max glass width: 800 mm
Load capacity: 18 kg per hinge
Glass thickness: 6 - 10 mm

Material

Brass

1 hinge consists of

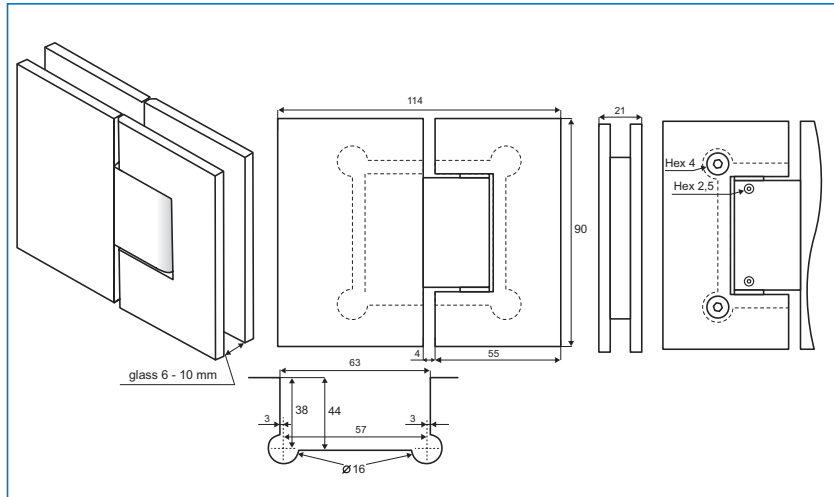
- 1 hinge 90 x 55 mm
- 1 glass wall fixing plate 90 x 55 mm
- 4 hex screws 4 mm
- 1 L-shaped 4 mm hex key
- 4 transparent cushions 1 mm thickness
- 4 transparent cushions 1,5 mm thickness
- 2 screws w/2,5 mm hex
- 1 L-shaped hex key 2,5 mm
- 1 drilling/cutting template

Finish

- SS-look # 15.24.005
- Alu-finish # 15.24.006
- Chrome plated # 15.24.007

Packing

10 pcs per carton



SHOWER DOOR HINGE „CPH“

Application

Suitable for glass door/shower doors
 Drilling/cutting required
 W/angle adjustment function
 W/25° return function (self-centering)

Opening: 90°

Max glass width: 800 mm

Load capacity: 18 kg per hinge

Glass thickness: 6-10 mm

Material

Brass

1 hinge consists of

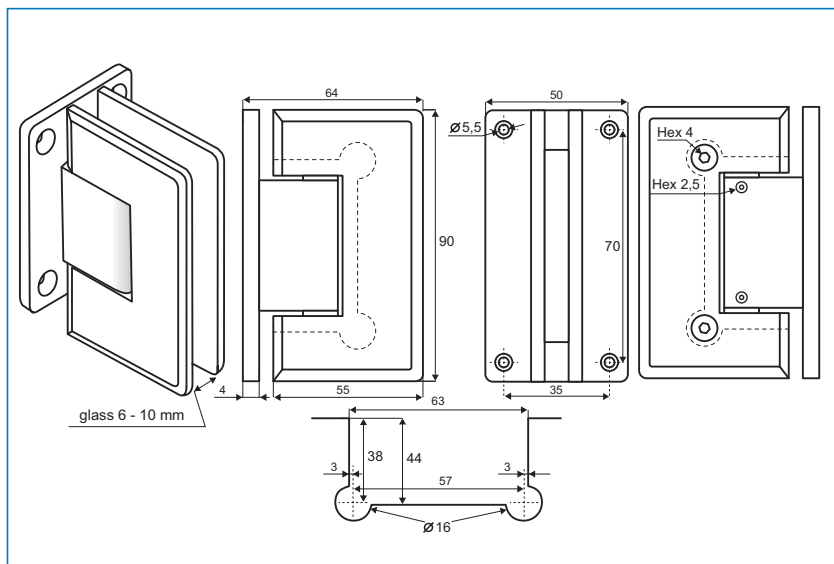
- 1 hinge 90 x 55 mm
- 1 mounting plate 4 x 90 x 50 mm
- 2 hex screws 4 mm
- 1 L-shaped 4 mm hex key
- 2 transparent cushions 1 mm thickness
- 4 transparent cushions 1,5 mm thickness
- 2 screws w/2,5 mm hex
- 1 L-shaped hex key 2,5 mm
- 4 wall plugs & 4 wall screws
- 1 drilling/cutting template

Finish

- SS-look # 15.23.811
- Chrome plated # 15.23.810
- Alu-finish # 15.23.812

Packing

20 pcs per carton



SHOWER DOOR HINGE „CPH“ W/OFF CENTRE MOUNTING PLATE

Application

Suitable for glass door/shower doors
Drilling/cutting required
W/angle adjustment function
W/25° return function (self-centering)

Opening: 90°

Max glass width: 800 mm

Load capacity: 18 kg per hinge

Glass thickness: 6-10 mm

Material

Brass

1 hinge consists of

- 1 hinge 90 x 55 mm
- 1 mounting plate 4 x 90 x 50 mm
- 2 hex screws 4 mm
- 1 L-shaped 4 mm hex key
- 2 transparent cushions 1 mm thickness
- 4 transparent cushions 1,5 mm thickness
- 2 screws w/2,5 mm hex
- 1 L-shaped hex key 2,5 mm
- 3 wall plugs & 3 wall screws
- 1 drilling/cutting template

Finish

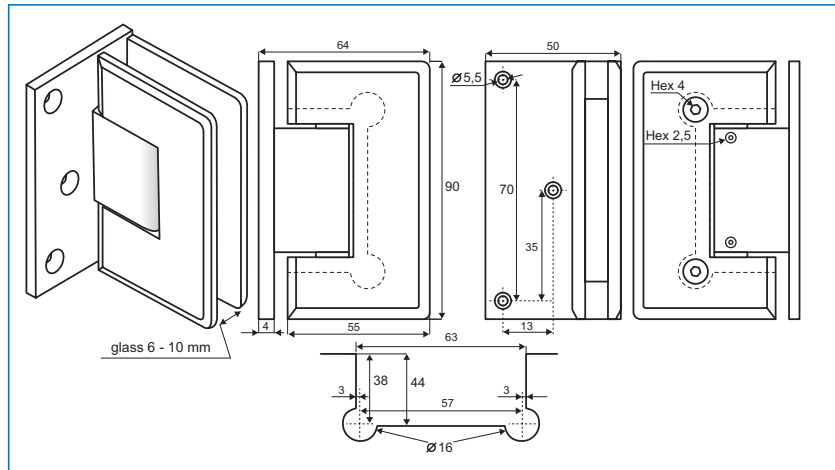
SS-look # 15.23.815

Chrome plated # 15.23.814

Alu-finish # 15.23.816

Packing

20 pcs per carton



SHOWER DOOR HINGE „CPH“ GLASS TO GLASS 180°

Application

Suitable for glass door/shower doors
Drilling/cutting required
W/angle adjustment function
W/25° return function (self-centering)

Opening: 180°

Max glass width: 800 mm

Load capacity: 18 kg per hinge

Glass thickness: 6-10 mm

Material

Brass

1 hinge consists of

- 1 hinge 90 x 55 mm
- 1 glass wall fixing plate 90 x 55 mm
- 4 hex screws 4 mm
- 1 L-shaped 4 mm hex key
- 2 transparent cushions 1 mm thickness
- 4 transparent cushions 1,5 mm thickness
- 2 screws w/2,5 mm hex
- 1 L-shaped hex key 2,5 mm
- 1 drilling/cutting template

Finish

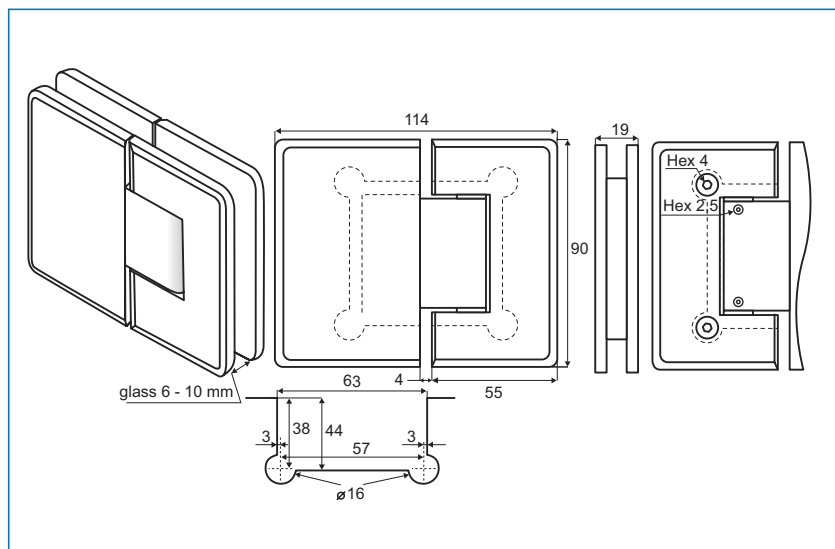
SS-look # 15.23.820

Chrome plated # 15.23.818

Alu-finish # 15.23.819

Packing

10 pcs per carton



SHOWER DOOR HINGE „ZUG“ W/OFF CENTRE MOUNTING PLATE

Application

Suitable for glass door/shower doors
Drilling/cutting required
W/angle adjustment function
W/25° return function (self-centering)

Opening: 90°

Max glass width: 800 mm

Load capacity: 18 kg per hinge

Glass thickness: 6-10 mm

Material

Brass

1 hinge consists of

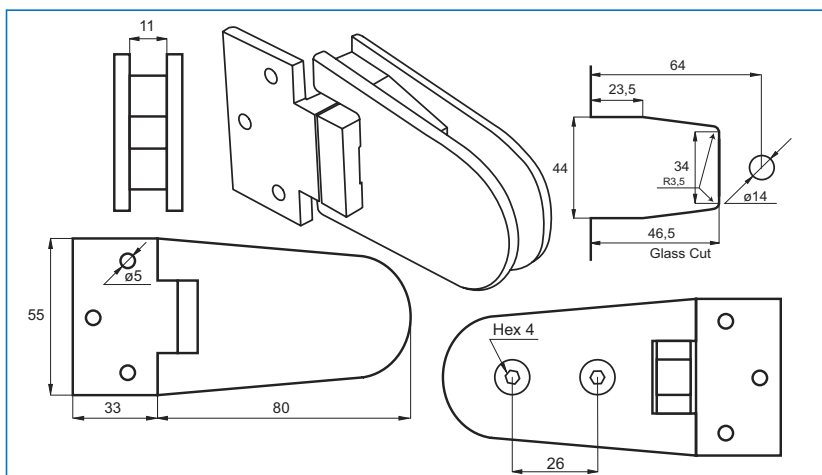
- 1 hinge 55 x 80 mm
- 1 mounting plate 33 x 55 mm
- 2 fixing screws 4 mm hex
- 1 L-shaped 4 mm hex key
- 2 transparent cushions 1 mm thickness
- 2 transparent cushions 1,5 mm thickness
- 1 angle adjustment screws w/3 mm hex
- 1 L-shaped hex key 3 mm
- 3 wall plugs & 3 wall screws
- 1 drilling/cutting template

Finish

Chrome plated # 15.23.010

Packing

20 pcs per carton



SHOWER DOOR HINGE „LINZ“ W/OFF CENTRE MOUNTING PLATE

Application

Suitable for glass door/shower doors
Drilling/cutting required
W/angle adjustment function
W/25° return function (self-centering)

Opening: 90°

Max glass width: 800 mm

Load capacity: 18 kg per hinge

Glass thickness: 6-10 mm

Material

Brass

1 hinge consists of

- 1 hinge 55 x 112 mm
- 1 mounting plate 33 x 55 mm
- 2 fixing screws 4 mm hex
- 1 L-shaped 4 mm hex key
- 2 transparent cushions 1 mm thickness
- 2 transparent cushions 1,5 mm thickness
- 1 angle adjustment screws w/3 mm hex
- 1 L-shaped hex key 3 mm
- 3 wall plugs & 3 wall screws
- 1 drilling/cutting template

Finish

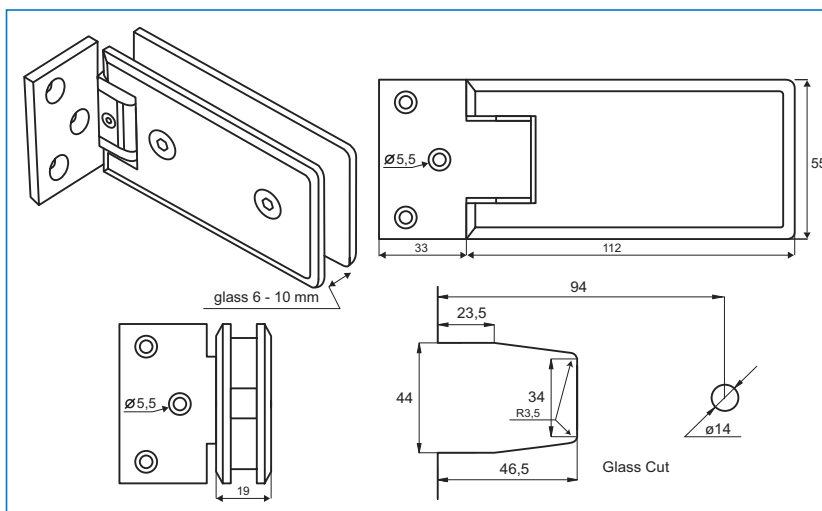
SS-look # 15.23.845

Chrome plated # 15.23.844

Alu-finish # 15.23.846

Packing

20 pcs per carton



SHOWER DOOR HINGE „LINZ“ W/CENTRE MOUNTING PLATE

Application

Suitable for glass door/shower doors
Drilling/cutting required
W/angle adjustment function
W/25° return function (self-centering)

Opening: 90°

Max glass width: 800 mm

Load capacity: 18 kg per hinge

Glass thickness: 6-10 mm

Material

Brass

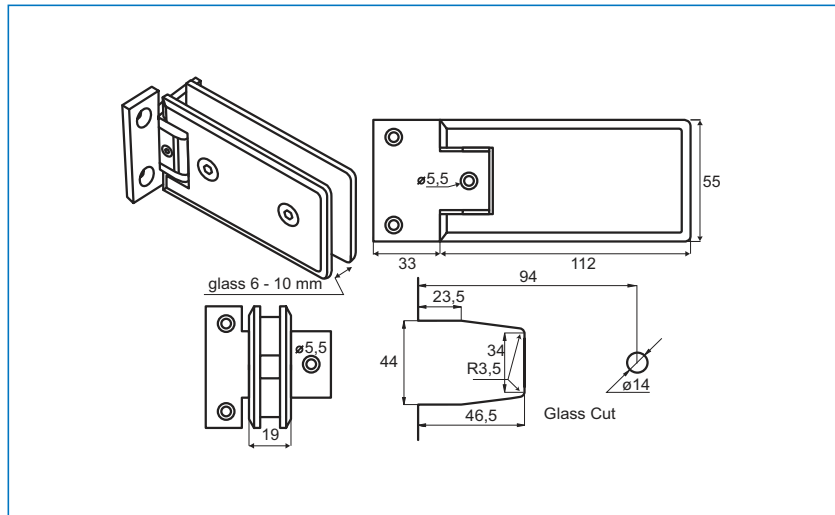
1 hinge consists of

- 1 hinge 55 x 112 mm
- 1 mounting plate 61 x 55 mm
- 2 fixing screws 4 mm hex
- 1 L-shaped 4 mm hex key
- 2 transparent cushions 1 mm thickness
- 2 transparent cushions 1,5 mm thickness
- 1 angle adjustment screws w/3 mm hex
- 1 L-shaped hex key 3 mm
- 3 wall plugs & 3 wall screws
- 1 drilling/cutting template

Finish

- SS-look # 15.23.841
- Chrome plated # 15.23.840
- Alu-finish # 15.23.842

Packing 20 pcs per carton



SHOWER PIVOT HINGE GLASS/GLASS „LODZ“

Application

Suitable for glass door/shower doors
Drilling/cutting required
W/15° return function (self-centering)

Features

Opening: 180°

Max glass width: 800 mm

Load capacity: 20 kg per hinge

Glass thickness: 8 - 10 mm

Material

Brass

1 hinge consists of

- 1 hinge 50 x 92 x 21 mm (H/W/D)
- 4 hex screws 4 mm
- 1 L-shaped 4 mm hex key
- 4 transparent cushions 1 mm thickness
- 4 transparent cushions 1,5 mm thickness
- 1 drilling/cutting template

Finish

- SS-look # 15.23.905
- Alu-finish # 15.23.906
- Chrome plated # 15.23.907

Packing

10 pcs per carton

